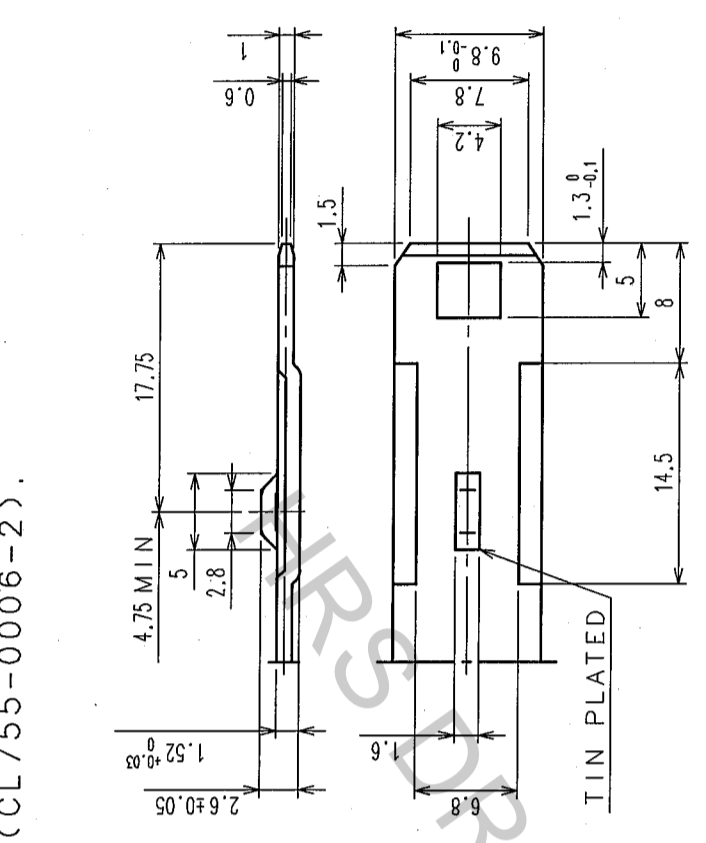


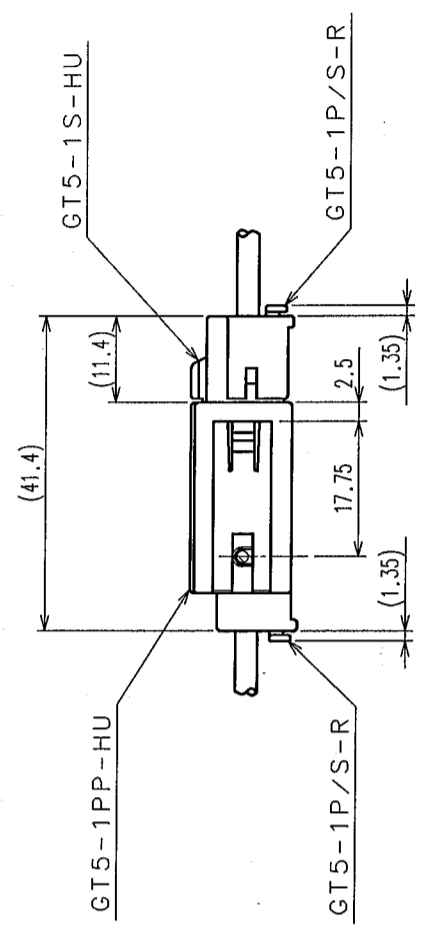
COUNT	DESCRIPTION OF REVISIONS	BY	CHKD	DATE	COUNT	DESCRIPTION OF REVISIONS	BY	CHKD	DATE

TO

NOTE1. THIS CONNECTOR SHALL BE USED WITH A RETAINER
(CL755-0006-2).



DETAIL OF FITTING PLATE(2:1)



MATED CONNECTORS

Pb FREE

1	PBT	UL94V-0	2	PHOSPHOR BRONZE TIN PLATED, T=0.3
NO.	MATERIAL	FINISH, REMARKS	NO.	MATERIAL
CODE NO. (OLD) CL559-0108-1			DRAWN S. KURIYA '04 10 29	DESIGNED M. SAITO '93 12 10
			CHECKED K. Saito '04 11 2	APPROVED K. Saito '04 11 2
				RELEASED
DRAWING NO. EDC3-084958-02		PART NO. GT5-1PP-HU(70)		
SCALE 1 : 1	UNITS mm			
HRS HIROSE ELECTRIC CO., LTD		CODE NO. CL755-0005-0-70		

