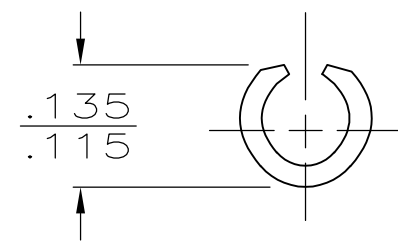
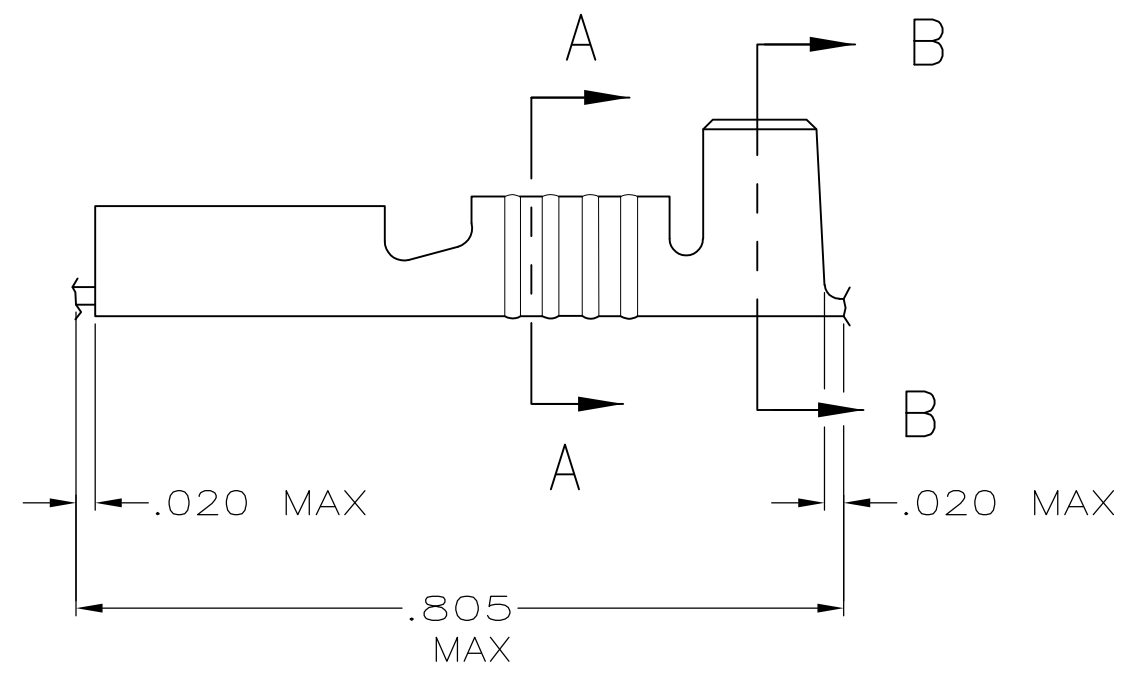


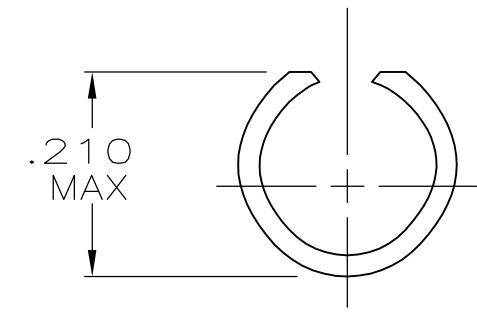
THIS DRAWING IS UNPUBLISHED. RELEASED FOR PUBLICATION  
 © COPYRIGHT - By - ALL RIGHTS RESERVED.

LOC	DIST	REVISIONS			
P	LTR	DESCRIPTION	DATE	DWN	APVD
AF	50	H	REVISED PER ECR-12-013445	18OCT12	KH PD

- 1 SUPPLIED IN LOOSE PIECE FORM.
- 2 FOREIGN PRODUCTION ONLY. LEAD-IN CHAMFER ON RECPT.
- 3 FOREIGN PRODUCTION ONLY.



SECTION A-A



SECTION B-B

-	.120-.145	18-16	2 41445-1
-			3 41445
FINISH	INSULATION RANGE	WIRE SIZE	PART NUMBER

THIS DRAWING IS A CONTROLLED DOCUMENT.		DWN JR RUTH 2/11/91	<b>STE</b> TE Connectivity													
DIMENSIONS: INCHES		CHK P FORTNEY 2/11/91														
TOLERANCES UNLESS OTHERWISE SPECIFIED:		APVD C MEYERS 2/11/91	NAME RECEPTACLE, FASTON, .250 SERIES													
<table border="1"> <tr><td>0 PLC</td><td>± -</td></tr> <tr><td>1 PLC</td><td>± -</td></tr> <tr><td>2 PLC</td><td>± -</td></tr> <tr><td>3 PLC</td><td>± .015</td></tr> <tr><td>4 PLC</td><td>± -</td></tr> <tr><td>ANGLES</td><td>± -</td></tr> </table>		0 PLC	± -	1 PLC	± -	2 PLC	± -	3 PLC	± .015	4 PLC	± -	ANGLES	± -	PRODUCT SPEC -	APPLICATION SPEC -	
0 PLC	± -															
1 PLC	± -															
2 PLC	± -															
3 PLC	± .015															
4 PLC	± -															
ANGLES	± -															
MATERIAL BRASS	FINISH SEE TABLE	WEIGHT -	SIZE A3	CAGE CODE 00779	DRAWING NO C-41445	RESTRICTED TO -										
CUSTOMER DRAWING			SCALE 5:1	SHEET 1 OF 1	REV H											