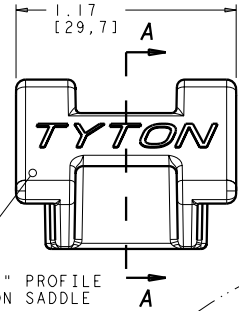
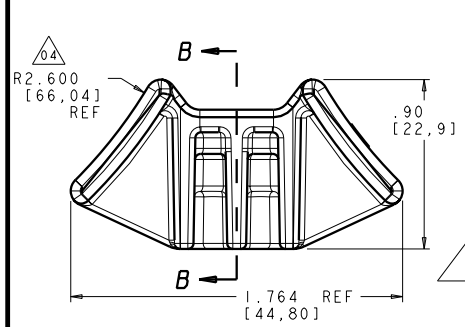
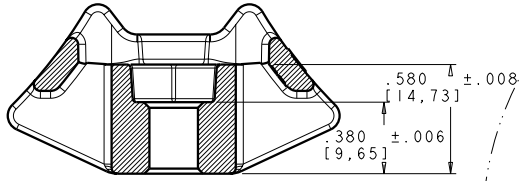


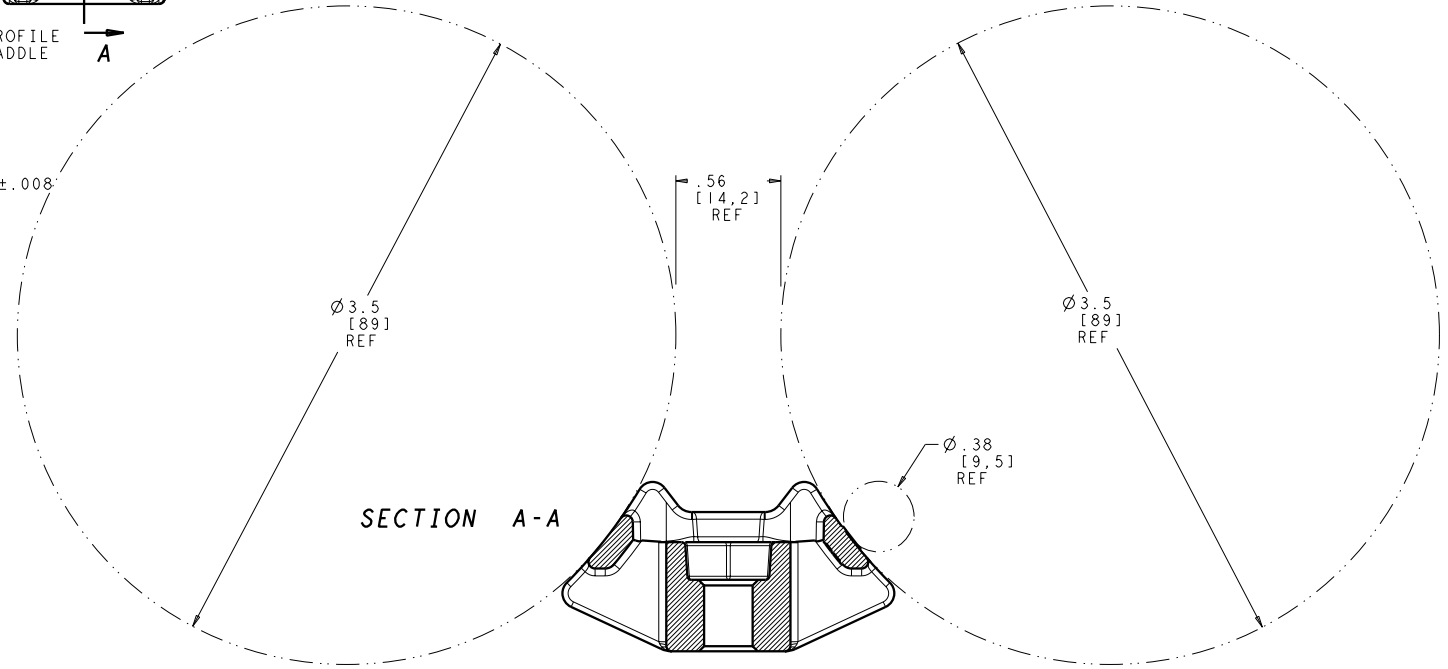
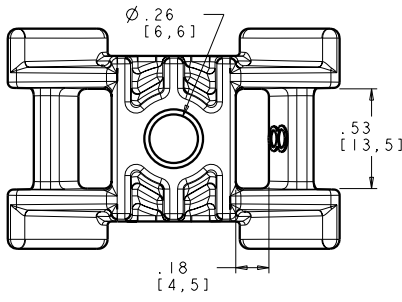
SECTION C-C



"H" PROFILE ON SADDLE



SECTION A-A



SECTION A-A

FEATURES:

- PROVIDES DUAL BUNDLING/PARALLEL SPACING - SEE SECTION A-A
- "H" PROFILE ON SADDLE PROVIDES FOR TIGHT CIRCUMFERENTIAL LOOP ON LARGE AND SMALL BUNDLES
- HEX FEATURE CAPTURES BOLT OR NUT REQUIRING TOOL ACCESS FROM BACK SIDE ONLY
- MOUNTING HOLE DIAMETER AND HEX RETAINER WORKS WITH 6mm & 1/4" NUTS AND BOLTS
- RUGGED HEAVY DUTY DESIGN & MATERIAL
- 250 lb ASSEMBLY STRENGTH IN ANY DIRECTION
- WITHSTANDS 115 in-lb OF TORQUE APPLIED TO FASTENER
- FASTEN MOUNT WITH BOLT, SCREW, RIVET, SPIKE, ETC...
- ACCEPTS MOST STANDARD CABLE TIES UP TO 1/2" WIDE
- ALSO CHAINING OF MULTIPLE BUNDLES ON A SINGLE MOUNT IS AVAILABLE IF T250 WITH BUCKLE/MOUNT FEATURE IS USED

INVENTORS

HellermannTyton®

ALL PROPRIETARY RIGHTS IN THE SUBJECT MATTER SHOWN ON THIS DRAWING ARE EXCLUSIVE PROPERTY OF HELLERMANN TYTON

name	date	city, state
GERRY GEIGER	1/27/98	JACKSON WI

REVISION

level	by	date	ECN #	part level
04	GGG	1/28/11	011738	B

DIMENSIONS

units	inches/[mm]
.XXXX=	±0.001/[0.25]
.XXX=	±0.010/[.25]
.XX=	±0.02/[1.5]
.X=	±0.1/[2.5]
∠=	±0.5
unless otherwise specified	

PART

number	S2HM25	phase	PRODUCTION
name	2-WAY SADDLE MOUNT FOR 6MM & 1/4" BOLTS WITH HEXAGONAL RETENTION		
material	NYLON 6/6 IMPACT MODIFIED, HEAT STABILIZED, UV RESISTANT, BLACK		

DRAWING

FORMAT	AH version	J	CAD	PRO-E	scale	1/1
drawn	G GEIGER	checked	approved			
date	2/16/00					
type	CUSTOMER					sheet 1 of 1
number	MT202501ICST					