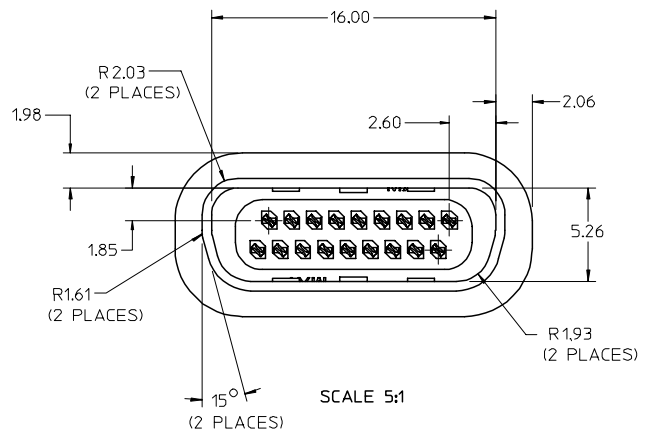
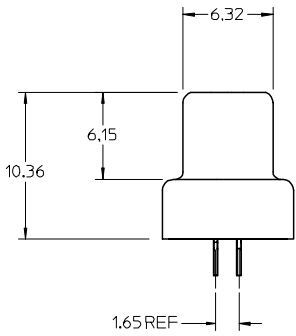
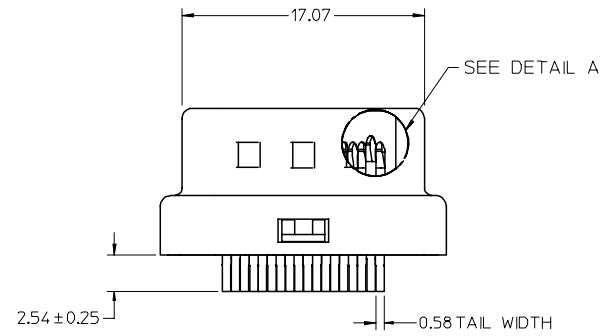


DETAIL A  
SCALE 20:1



SCALE 5:1

NOTES:

- MATERIALS:**  
 SHIELD: DEEP DRAWN STEEL.  
 HOUSING: GLASS FILLED POLYMER, COLOR: BLACK, UL 94V-0.  
 STICK: COPPER ALLOY, OVERMOLDED WITH GLASS FILLED POLYMER, COLOR: BLACK, UL 94V-0.
- PLATING:**  
 SHIELD: 2.54 MICROMETERS MINIMUM BRIGHT TIN (Sn)  
 OVER 1.27 MICROMETERS MINIMUM NICKEL (Ni)  
 OVER COPPER (Cu) UNDERPLATE OVERALL.  
 TAIL (TIN): SELECTIVE GOLD (Au) IN CONTACT AREA, THICKNESS  
 0.38 MICROMETERS MINIMUM,  
 SELECTIVE TIN (Sn) IN TAIL AREA, THICKNESS  
 2.54 MICROMETERS MINIMUM OVER  
 NICKEL (Ni) UNDERPLATE OVERALL.  
 TAIL (NICKEL): SELECTIVE GOLD (Au) IN CONTACT AREA, THICKNESS  
 0.38 MICROMETERS MINIMUM WITH NICKEL (Ni) UNDERPLATE,  
 SELECTIVE NICKEL (Ni) IN TAIL AREA, THICKNESS  
 1.27 MICROMETERS MINIMUM.
- PLUG ASSEMBLIES ARE PACKAGED IN TUBES. SEE PACKAGING SPECIFICATION PK-75000-991.**
- CIRCUITS B1 AND A9 ARE FIRST MATE LAST BREAK.**

MATERIAL NUMBER	TAIL PLATING
74155-0001	TIN
74155-0002	NICKEL

INITIAL RELEASE FC NO: UCP2006-1957 DRAWN BY: DMORGAN 2006/02/28 CHKD: BBARKER 2006/03/06 APPR: SMILLER 2006/03/06	QUALITY SYMBOLS ▽=0 ▽=0	GENERAL TOLERANCES (UNLESS SPECIFIED)	DIMENSION STYLE MM ONLY	SCALE 4:1	DESIGN UNITS INCH	THIRD ANGLE PROJECTION
		4 PLACES ± --- ± --- 3 PLACES ± --- ± --- 2 PLACES ± 0.13 ± --- 1 PLACE ± --- ± --- ANGULAR ±1/2°	DRAWN BY: DMORGAN DATE: 05/01/21 CHECKED BY: BBARKER DATE: 05/01/21 APPROVED BY: SMILLER DATE: 05/01/21	TITLE SALES DRAWING 1X PCIE 18 CIRCUIT PLUG CONNECTOR		MATERIAL NO. SEE CHART
DRAFT WHERE APPLICABLE MUST REMAIN WITHIN DIMENSIONS		THIS DRAWING CONTAINS INFORMATION THAT IS PROPRIETARY TO MOLEX INCORPORATED AND SHOULD NOT BE USED WITHOUT WRITTEN PERMISSION				