

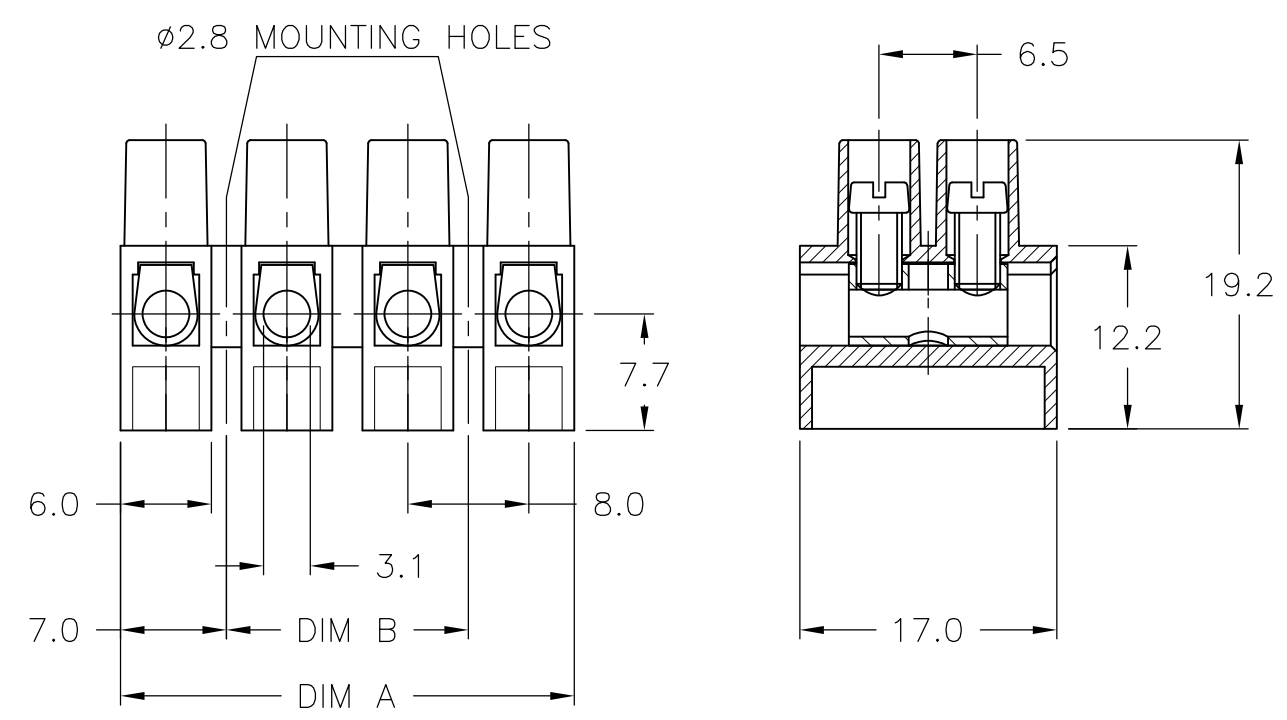
THIS DRAWING IS UNPUBLISHED. RELEASED FOR PUBLICATION  
 © COPYRIGHT - BY TYCO ELECTRONICS CORPORATION. ALL RIGHTS RESERVED.

LOC	DIST	REVISIONS					
FT	0	P	LTR	DESCRIPTION	DATE	DWN	APVD
		01		REVISED PER ECO-07-029173	12/10/07	SS	CR

**MATERIAL:**  
 HOUSING: POLYAMIDE 6, UL94V-2.  
 COLOR: NATURAL (OFF WHITE)  
 TUBULAR CONTACT: BRASS TIN, PLATED.  
 SCREWS: M3, STEEL, ZINC PLATED W/ NON-HEXAVALENT CHROMATE (CHROME III).

CURRENT RATING: 30A  
 OPERATING VOLTAGE: 250V  
 WIRE RANGE: 12-26 AWG

CONTINUOUS OPERATING TEMP.: 100°C MAX.



80.0	94.0	12	TSB230K12	1-1776321-2
72.0	86.0	11	TSB230K11	1-1776321-1
64.0	78.0	10	TSB230K10	1-1776321-0
56.0	70.0	9	TSB230K09	1776321-9
48.0	62.0	8	TSB230K08	1776321-8
40.0	54.0	7	TSB230K07	1776321-7
32.0	46.0	6	TSB230K06	1776321-6
24.0	38.0	5	TSB230K05	1776321-5
16.0	30.0	4	TSB230K04	1776321-4
8.0	22.0	3	TSB230K03	1776321-3
-	14.0	2	TSB230K02	1776321-2
-	6.0	1	TSB230K01	1776321-1
DIM B	DIM A	NO. OF POS.	CATALOG NUMBER	PART NO.

THIS DRAWING IS A CONTROLLED DOCUMENT.		DWN S SCHLEGEL 3/21/05	Tyco Electronics Corporation Harrisburg, Pa 17105-3608	
DIMENSIONS: mm		CHK C RICHARD 3/21/05		
TOLERANCES UNLESS OTHERWISE SPECIFIED:		APVD C RICHARD 3/21/05	NAME 8mm PITCH, TERMINAL BLOCK - HIGH CURRENT	
0 PLC ± - 1 PLC ± .3 2 PLC ± .25 3 PLC ± - 4 PLC ± - ANGLES ± 2°		PRODUCT SPEC -	-	
MATERIAL -		FINISH -	APPLICATION SPEC -	RESTRICTED TO -
		WEIGHT -	SIZE A3	CAGE CODE 00779
		CUSTOMER DRAWING	DRAWING NO G-1776321	REV 01
			SCALE NTS	SHEET 1 OF 1