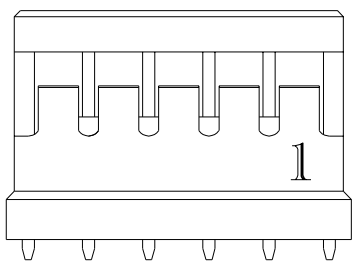
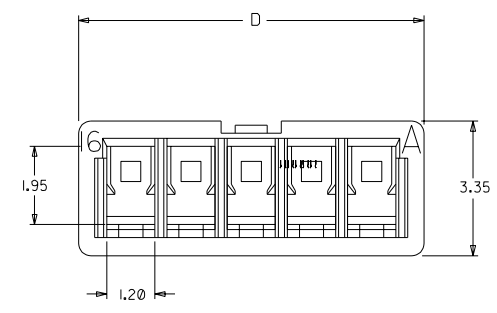
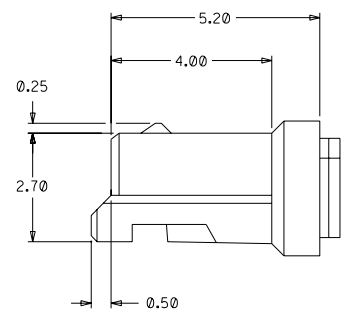
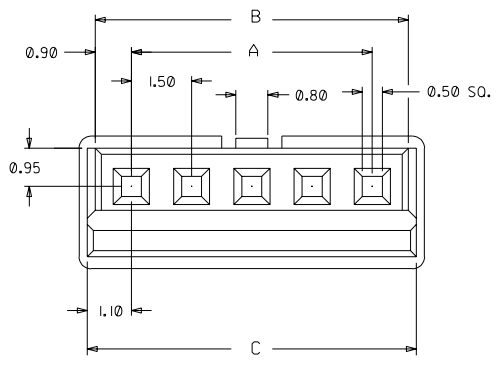


PART NO.	NO. OF CKT'S	A	B	C	D
87439-0201	2	1.50	3.30	3.70	4.10
87439-0301	3	3.00	4.80	5.20	5.60
87439-0401	4	4.50	6.30	6.70	7.10
87439-0501	5	6.00	7.80	8.20	8.60
87439-0601	6	7.50	9.30	9.70	10.10
87439-0701	7	9.00	10.80	11.20	11.60
87439-0801	8	10.50	12.30	12.70	13.10
87439-0901	9	12.00	13.80	14.20	14.60
87439-1001	10	13.50	15.30	15.70	16.10
87439-1101	11	15.00	16.80	17.20	17.60
87439-1201	12	16.50	18.30	18.70	19.10
87439-1301	13	18.00	19.80	20.20	20.60
87439-1401	14	19.50	21.30	21.70	22.10
87439-1501	15	21.00	22.80	23.20	23.60



NOTE:
 1. MATERIAL:
 NYLON 66, 94V-0, COLOR: BLACK
 2. HOUSING TO ACCEPT MOLEX P/N 87421-0000

REL PER PDR# S-000348-00-00 EC NO. S2003-0498 DRWN: KSEE CHK: KCLING APPR: SKTOH	QUALITY SYMBOLS MAJOR $\blacktriangledown = 0$ CRITICAL $\nabla = 0$	GENERAL TOLERANCES: (UNLESS SPECIFIED)		SCALE NTS	DESIGN UNITS <input checked="" type="checkbox"/> mm <input type="checkbox"/> INCH	THIRD ANGLE PROJECTION	DIMENSIONS: <input type="checkbox"/> mm <input type="checkbox"/> INCH <input type="checkbox"/> mm <input type="checkbox"/> INCH <input checked="" type="checkbox"/> mm ONLY	SHT	REV	
		4 PLACES	$\pm 0. -$	$\pm. -$	DRAWN BY & DATE KSEE 030415		TITLE: 1.50 mm PITCH, HOUSING, RECEPTACLE			
		3 PLACES	$\pm 0. -$	$\pm. -$	CHECKED BY & DATE KCLING 030526		MOLEX INCORPORATED			
		2 PLACES	± 0.20	$\pm. -$	APPROVED BY & DATE SKTOH 030526					
1 PLACE	$\pm 0. -$	$\pm. -$	ANGULAR: $\pm 3^\circ$		CAD FILENAME	MATERIAL NO. SEE TABLE	DRAWING NO. SD-87439-001	SHEET NO. 1 OF 1		
A	REV	THIS DRAWING CONTAINS INFORMATION THAT IS PROPRIETARY TO MOLEX INCORPORATED AND SHOULD NOT BE USED WITHOUT WRITTEN PERMISSION.						SIZE A3		