

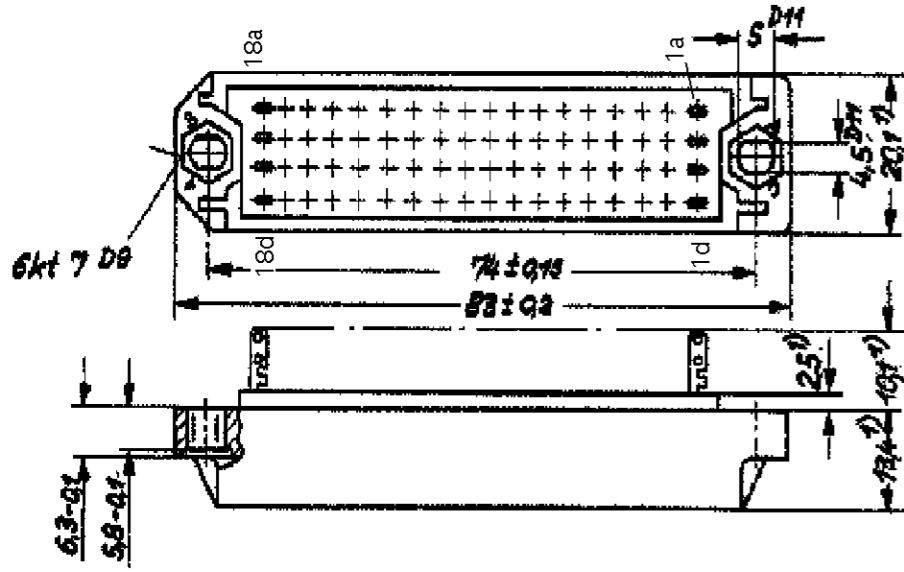
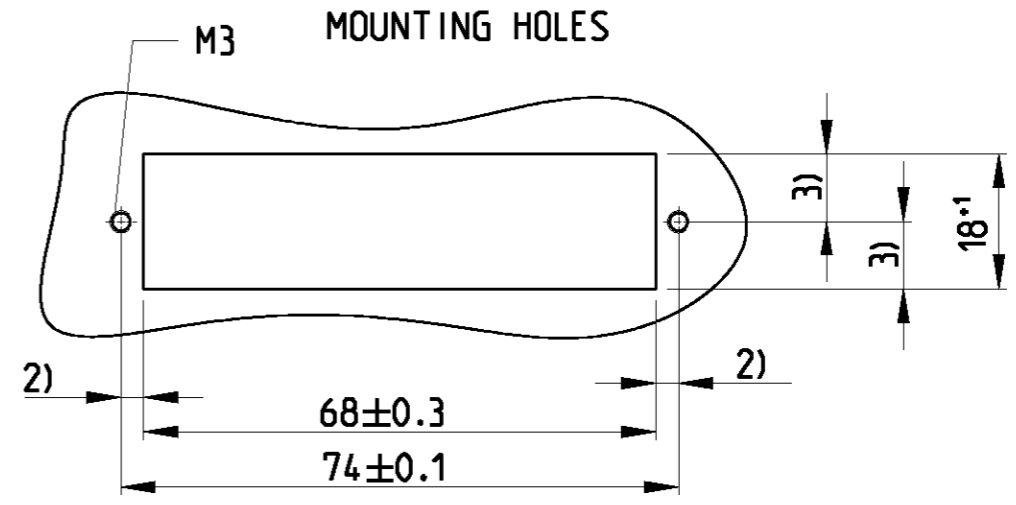
THIS DRAWING IS UNPUBLISHED. RELEASED FOR PUBLICATION 2000
 © COPYRIGHT 2000 BY TYCO ELECTRONICS CORPORATION. ALL RIGHTS RESERVED.

LOC	DIST	REVISIONS					
		P	LTR	DESCRIPTION	DATE	DWN	APVD
A1	-		A1	NEW DRAWING	13MAR2003	ACK	G.F

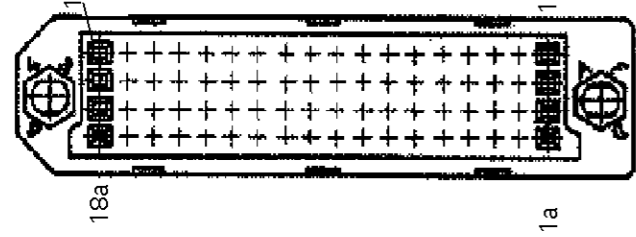
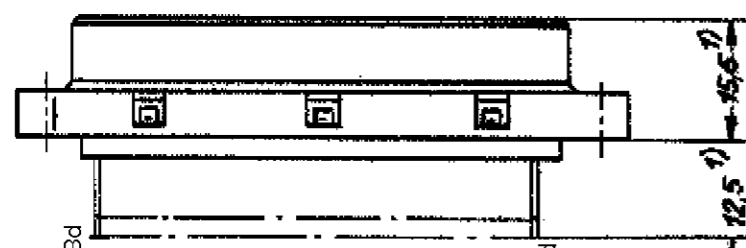
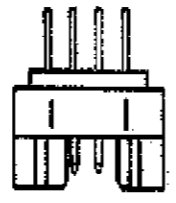
CROSS REFERENCE FOR ACTIVE PARTNUMBERS

FEMALES FEDERLEISTEN		MALES MESSERLEISTEN	
TYCO - PN	OLD PN	TYCO - PN	OLD PN
1-1393555-1	C 42334-A304-A14	1-1393556-9	C 42334-A304-A13
1-1393555-2	C 42334-A304-A18	2-1393556-0	C 42334-A304-A17
1-1393555-3	C 42334-A304-A214	2-1393556-2	C 42334-A304-A213

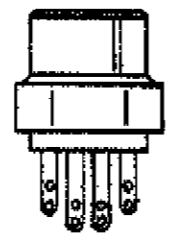
4)



MALE
1-1393556-9



FEMALE
1-1393555-1



- 1) MAX. DIMENSION
- 2) 3) PERM. DIFFERENCE 0.2
- 4) CONNECTORS WITH SOLDER PIN
- 5) DIMENSION 6 FOR 4)

FEMALES WITH SAME OUTSIDE DIMENSIONS AS MALES
 REPLACEMENT FOR EC-DRAWING C42334-A304-A13-*-27

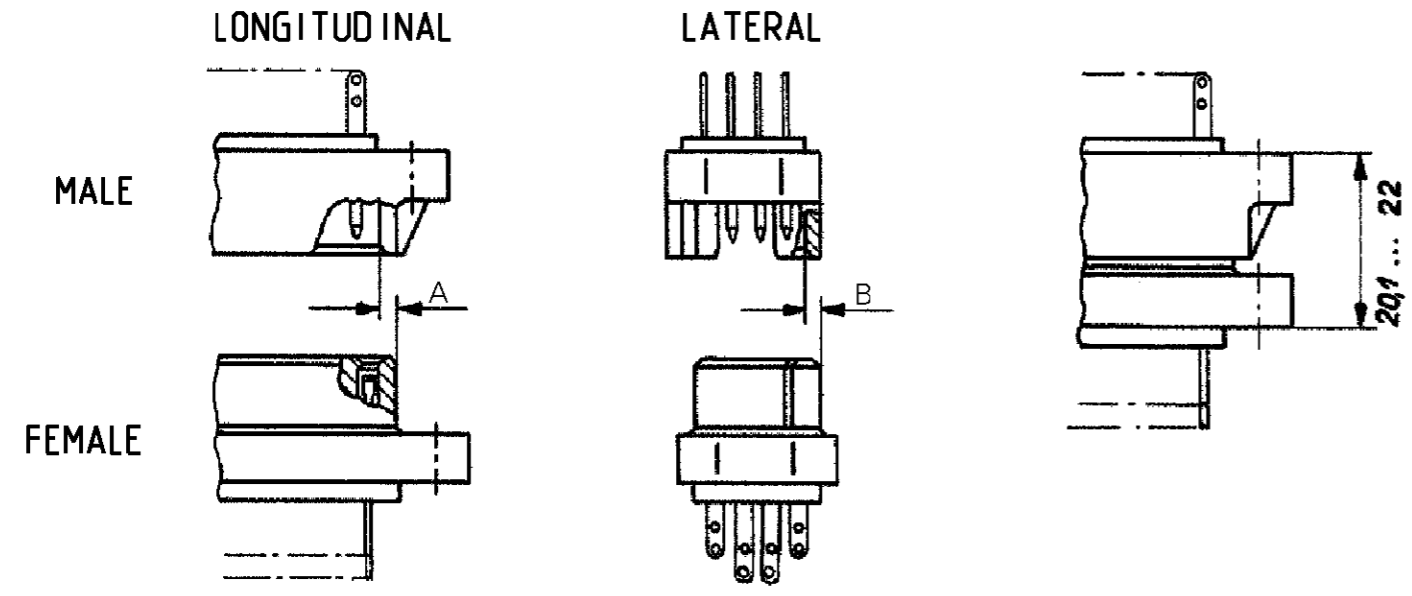
<small>THIS DRAWING IS A CONTROLLED DOCUMENT FOR TYCO ELECTRONICS CORPORATION IT IS SUBJECT TO CHANGE AND THE CONTROLLING ENGINEERING ORGANIZATION SHOULD BE CONTACTED FOR THE LATEST REVISION.</small>		DWN G.ACKERMANN 13MAR2003 CHK M.SCHLEIHAUF 14MAR2003 APVD G.FELDMEIER 18MAR2003	tyco Electronics tyco Electronics AMP GmbH D - 67346 Speyer
DIMENSIONS: mm	TOLERANCES UNLESS OTHERWISE SPECIFIED: 0 PLC ± 1 PLC ± 2 PLC ± 3 PLC ± 4 PLC ± ANGLES ±	PRODUCT SPEC - APPLICATION SPEC - WEIGHT -	NAME MALE AND FEMALE RP300 72-POSITIONS AND PARTIAL LOADED PRE-MATING CONTACTS
MATERIAL -	FINISH -	SIZE A3 CAGE CODE 00779 DRAWING NO C=1-1393555-1	RESTRICTED TO -
CUSTOMER DRAWING		SCALE 1:1	SHEET 1 OF 2 REV A1

THIS DRAWING IS UNPUBLISHED. RELEASED FOR PUBLICATION 2000
 © COPYRIGHT 2000 BY TYCO ELECTRONICS CORPORATION. ALL RIGHTS RESERVED.

LOC	DIST	REVISIONS			
P	LTR	DESCRIPTION	DATE	DWN	APVD
A1	-	SEE SHEET 1	-	-	-

CONNECTION CONDITIONS

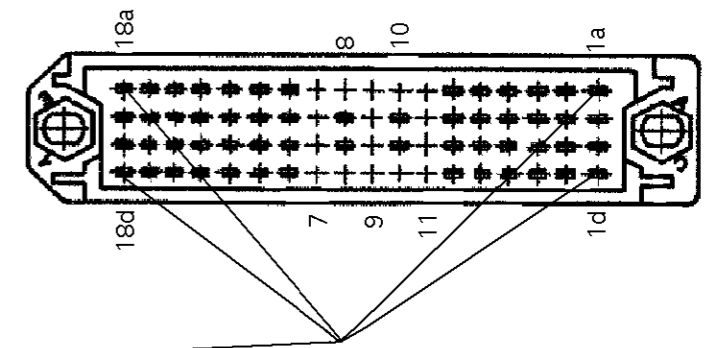
INSERTION DEPTH



MALE 2-1393556-2
 PARTIAL LOADED
 WITH PRE-MATING CONTACTS

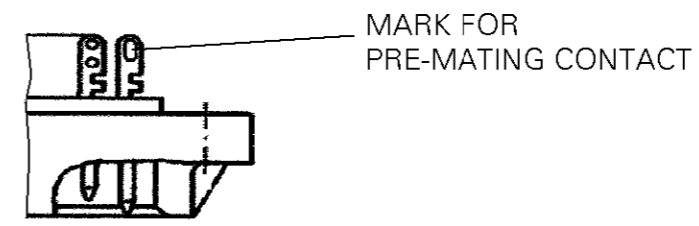
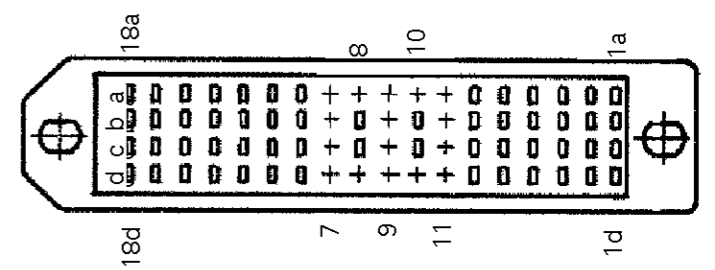
UNLOADED POSITIONS:
 7abcd;8ad;9abcd;10ad;11abcd

PRE-MATING CONTACTS:
 a1;a18;d1;d18



FEMALE 1-1393555-3
 PARTIAL LOADED

UNLOADED POSITIONS:
 7abcd;8ad;9abcd;10ad;11abcd



STANDARD CONNECTORS	FIXED MOUNTING	FLOATING MOUNTING
DIRECTION		
LONGITUDINAL DIM. A	±0.15	±0.7
LATERAL DIM. B	±0.1	±0.7
CONNECTORS WITH PRE-MATING CONTACTS		
DIRECTION		
LONGITUDINAL DIM. A	±0.15	±0.35
LATERAL DIM. B	±0.1	±0.3

THIS DRAWING IS A CONTROLLED DOCUMENT FOR TYCO ELECTRONICS CORPORATION. IT IS SUBJECT TO CHANGE AND THE CONTROLLING ENGINEERING ORGANIZATION SHOULD BE CONTACTED FOR THE LATEST REVISION.

DIMENSIONS:	TOLERANCES UNLESS OTHERWISE SPECIFIED:	DWN	13MAR2003	 tyco Electronics AMP GmbH D - 67346 Speyer
mm	0 PLC ±	CHK	14MAR2003	
	1 PLC ±	APVD	18MAR2003	
	2 PLC ±	PRODUCT SPEC	G.FELDMEIER	NAME
	3 PLC ±	APPLICATION SPEC		MALE AND FEMALE RP300
	4 PLC ±	WEIGHT		72-POSITIONS AND PARTIAL LOADED
	ANGLES ±			PRE-MATING CONTACTS
MATERIAL	FINISH			SIZE
				A3
				CAGE CODE
				00779
				DRAWING NO
				C=1-1393555-1
				RESTRICTED TO
				-
CUSTOMER DRAWING				SCALE
				1:1
				SHEET
				2 OF 2
				REV
				A1