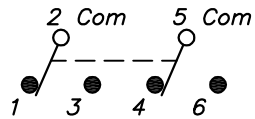


RECOMMENDED P.C.B. LAYOUT  
NOT TO SCALE



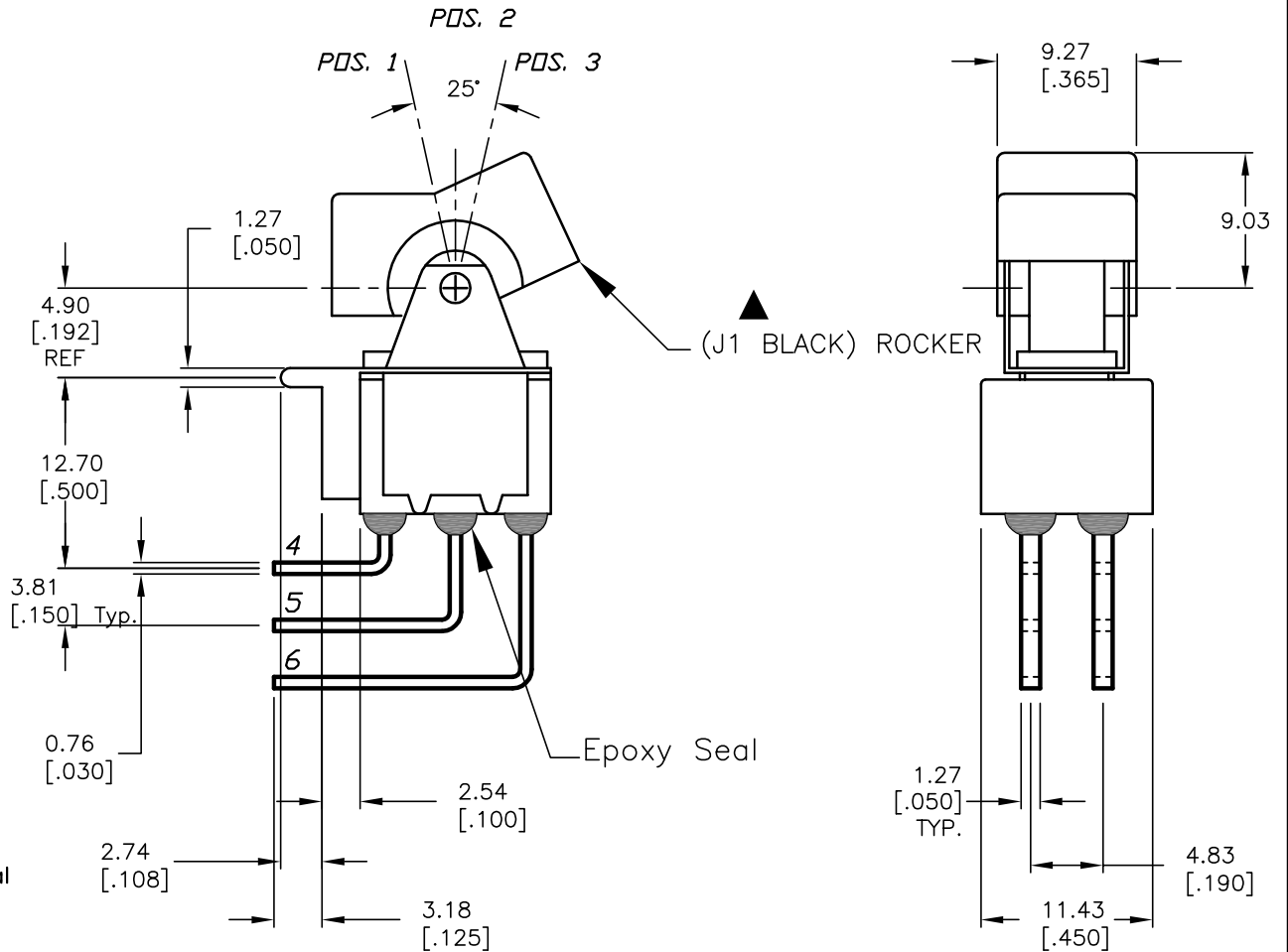
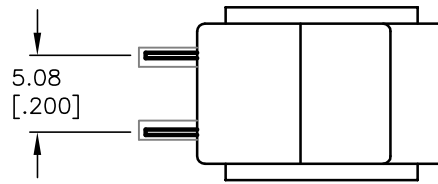
CIRCUIT: 2PDT

SWITCH FUNCTION		
PDS. 1	PDS. 2	PDS. 3
ON	OFF	<ON>
2-3, 5-6	OPEN	2-1, 5-4

<ON> = MOMENTARY

NOTES:

- ALL DIMENSIONS IN MM [INCH]
- GENERAL TOLERANCE: X.X=±0.4  
X.XX=±0.25
- TERM. NOS. FOR REF. ONLY
- RATING: 0.4V @20V AC or DC
- MATERIAL: FIXED TERMINAL & MOVING CONTACT  
Copper Alloy w/GOLD Plate over Nickel plate
- CONTACT RESISTANCE: 10mILLI Ohms max initial @2-4VDC, 100mA for AG & AU
- ELECTRICAL LIFE: 50,000 make-and-break cycles at full load.
- INSULATION RESISTANCE: 1,000M ohm min.
- DIELECTRIC STRENGTH: 1000V RMS @sea level
- OPERATING TEMP.: -30°C to 85°C



**E-SWITCH®**

TITLE

300DP5J1BLKM7RE

A	13979	RELEASED FOR PRODUCTION	5/5/04	AR
REV.	ECN No.	DESCRIPTION	DATE	CHKD

THE INFORMATION CONTAINED IN THIS DOCUMENT IS PROPRIETARY TO E-SWITCH AND IS NOT TO BE COPIED OR TRANSFERRED

SCALE

2:1

DATE

5/5/04

DR

AR

DWG

T325000

REV

A