

RECOMMENDED PCB PATTERN LAYOUT
CONNECTOR SIDE

- NOTES:
- 1.COPLANARITY OF TERMINAL AND NAIL:0.1 MAXIMUM.
 - 2.WHEN DELIVERY, THE PUSH/PUSH MECHANISM IS IN THE STATE OF UNLOCK.
 - 3.WHEN DELIVERY, THE DETECT TERMINAL IS IN THE STATE OF CLOSE.
 - 4.PRODUCT SPECIFICATION REFER TO PS-48050-001.
 - 5.PACKAGE SPECIFICATION REFER TO PK-48050-001.

POSITION OF CARD	DETECT TERMINAL
DASHING	CLOSE
LOCK	OPEN
FULL STROKE	OPEN

NO.	DESCRIPTION	QTY	MATERIAL
9	FITTING NAIL	2	COPPER ALLOY, OVERALL: TIN(Sn) PLATING
8	SWITCH	1	COPPER ALLOY, CONTACT AREA:GOLD PLATING
7	DETECT PIN	1	COPPER ALLOY, CONTACT AREA:GOLD PLATING
6	COIL SPRING	1	PIANO WIRE
5	CAM PIN	1	STAINLESS STEEL
4	CAM SLIDER	1	HEAT RESISTANCE POLYMER, UL94V0, BLACK
3	TERMINALS	1	COPPER ALLOY, CONTACT AREA:GOLD PLATING
2	METAL SHELL	1	STAINLESS STEEL
1	HOUSING	1	HEAT RESISTANCE POLYMER, UL94V0, BLACK

PIN NO	PIN NAME(SD MODE)
1	CD/DAT3
2	CMD
3	VSS1
4	VDD
5	CLK
6	VSS2
7	DAT2
8	DAT1
9	DAT2
10	NC(FOR FUTURE USE)
11	NC(FOR FUTURE USE)

DIM'A'	REMARK
2.03	WITHOUT CARD
2.10	WITH CARD INSERTION (ONLY FOR AREA OF 'S')

REVISE
EC NO: SH2006-0214
DRWN:GLLI
CHKD:
APPR:GRMA

DATE: 2005/12/12
DATE: 2006/01/03
DATE: 2006/01/05

QUALITY SYMBOLS
▽=0
▽C=0

GENERAL TOLERANCES (UNLESS SPECIFIED)
mm INCH

4 PLACES ± --- ± ---
3 PLACES ± --- ± ---
2 PLACES ± 0.15 ± ---
1 PLACE ± 0.25 ± ---
ANGULAR ±1/2°

DRAFT WHERE APPLICABLE
MUST REMAIN WITHIN DIMENSIONS

DIMENSION STYLE
MM ONLY

DRAWN BY DATE
DIXON LI 2005/10/18

CHECKED BY DATE
GRATE MA 2005/10/18

APPROVED BY DATE
GARY CHEN 2005/10/18

MATERIAL NO.
48050-0001

SCALE 2:1
DESIGN UNITS METRIC
THIRD ANGLE PROJECTION

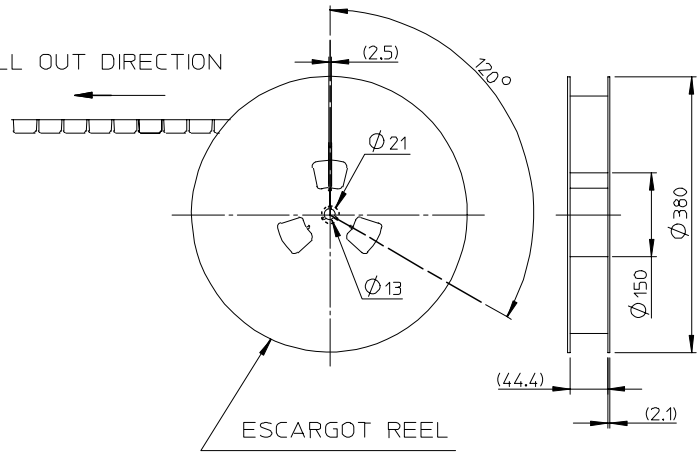
TITLE
SALES DRAWING
MINI SD CONNECTOR
-LEAD FREE-

MOLEX INCORPORATED

DOCUMENT NO. SD-48050-001
SHEET NO. 1 OF 2

THIS DRAWING CONTAINS INFORMATION THAT IS PROPRIETARY TO MOLEX INCORPORATED AND SHOULD NOT BE USED WITHOUT WRITTEN PERMISSION

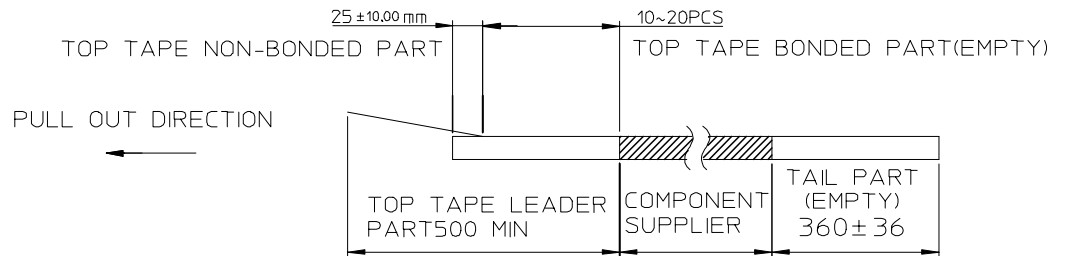
PULL OUT DIRECTION



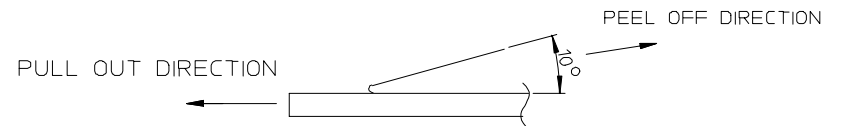
ESCARGOT REEL

NOTES

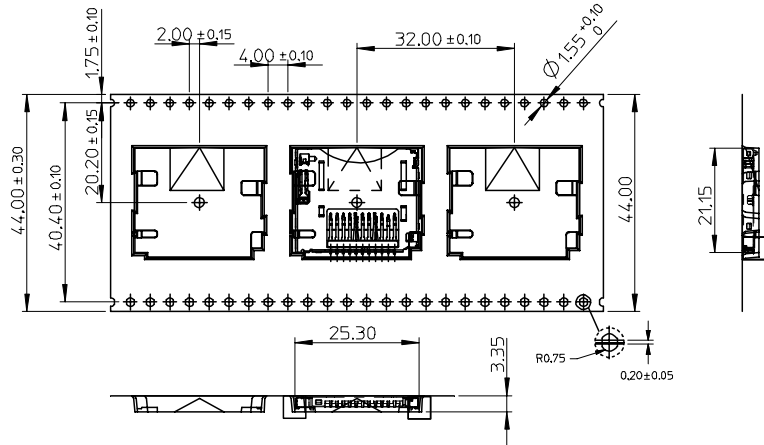
1. NUMBER OF CONNECTORS: 250 PCS/REEL
- 2.



3. PEEL OFF FORCE OF TOP TAPE: 0.1~1.3 N (10.2~130gf)
PEELING DIRECTION AS SHOWN IN FOLLOWING FIG.)
(PEEL OFF SPEED: 300mm/min.REF.)



4. PACKAGING DRAWING REFERS TO PK-48141-001.



PULL OUT DIRECTION

DIRECTION OF CONNECTOR IN EMBOSSED TAPE

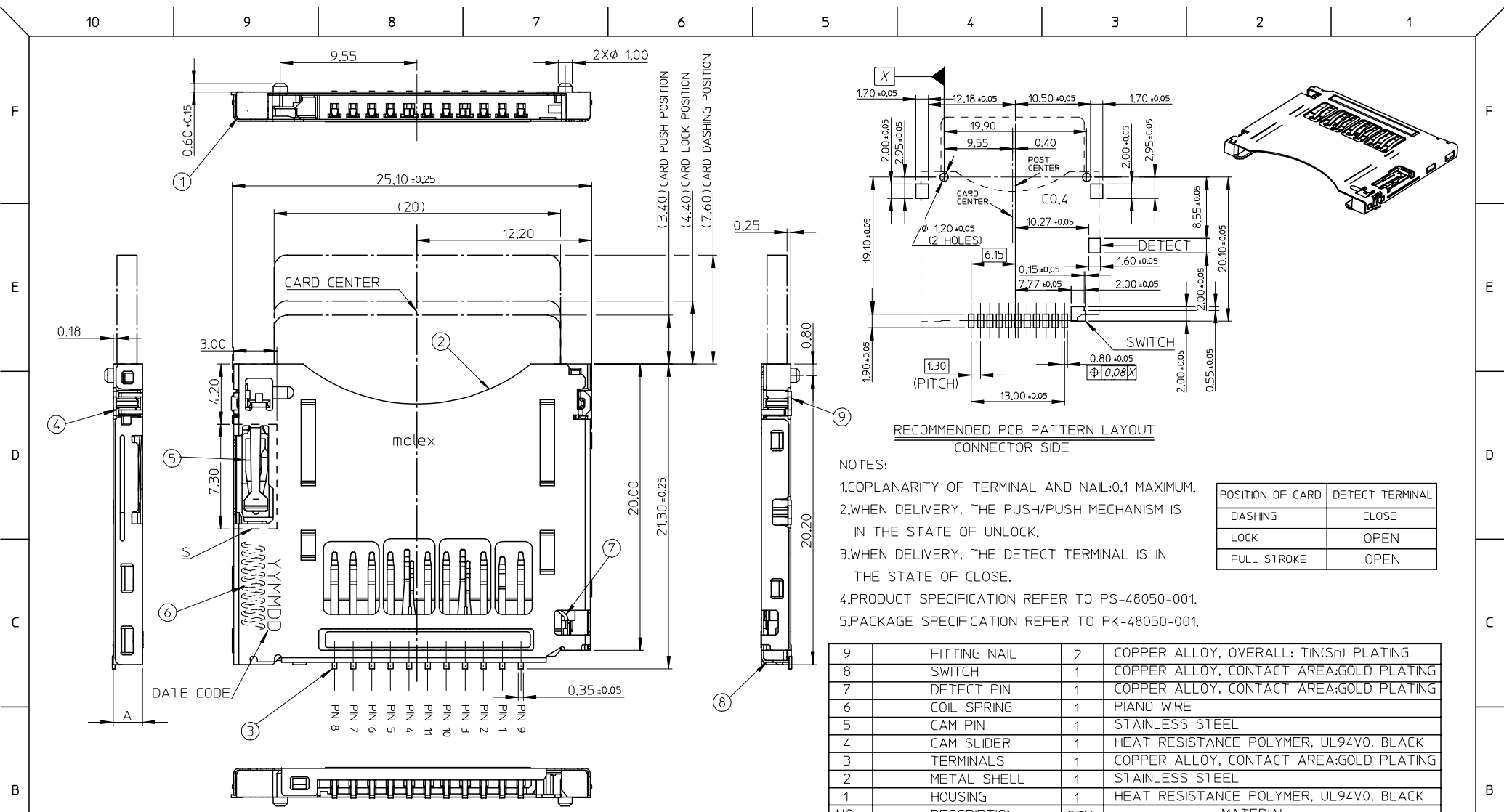
REVISE SH:2006-0214 EC NO: SH2006-0214 DRWN:GLLI CHKD: APPR:GRMA	2005/12/12	DESCRIPTION
	2006/01/03	
	2006/01/05	

QUALITY SYMBOLS	▽=0
	▽=0

GENERAL TOLERANCES (UNLESS SPECIFIED)	
mm	INCH
4 PLACES ± ---	± ---
3 PLACES ± ---	± ---
2 PLACES ± 0.15	± ---
1 PLACE ± 0.25	± ---
ANGULAR ± 1/2°	
DRAFT WHERE APPLICABLE MUST REMAIN WITHIN DIMENSIONS	

DIMENSION STYLE MM ONLY	
DRAWN BY DIXON LI	DATE 2005/10/18
CHECKED BY GRATE MA	DATE 2005/10/18
APPROVED BY GARY CHEN	DATE 2005/10/18
MATERIAL NO. 48050-0001	

SCALE	DESIGN UNITS METRIC	THIRD ANGLE PROJECTION	
TITLE SALES DRAWING MINI SD CONNECTOR -LEAD FREE-			
MOLEX INCORPORATED		DOCUMENT NO. SD-48050-001	SHEET NO. 2 OF 2
THIS DRAWING CONTAINS INFORMATION THAT IS PROPRIETARY TO MOLEX INCORPORATED AND SHOULD NOT BE USED WITHOUT WRITTEN PERMISSION			



- NOTES:
- 1.COPLANARITY OF TERMINAL AND NAIL:0.1 MAXIMUM.
 - 2.WHEN DELIVERY, THE PUSH/PUSH MECHANISM IS IN THE STATE OF UNLOCK.
 - 3.WHEN DELIVERY, THE DETECT TERMINAL IS IN THE STATE OF CLOSE.
 - 4.PRODUCT SPECIFICATION REFER TO PS-48050-001.
 - 5.PACKAGE SPECIFICATION REFER TO PK-48050-001.

POSITION OF CARD	DETECT TERMINAL
DASHING	CLOSE
LOCK	OPEN
FULL STROKE	OPEN

9	FITTING NAIL	2	COPPER ALLOY, OVERALL: TIN(Sn) PLATING
8	SWITCH	1	COPPER ALLOY, CONTACT AREA:GOLD PLATING
7	DETECT PIN	1	COPPER ALLOY, CONTACT AREA:GOLD PLATING
6	COIL SPRING	1	PIANO WIRE
5	CAM PIN	1	STAINLESS STEEL
4	CAM SLIDER	1	HEAT RESISTANCE POLYMER, UL94V0, BLACK
3	TERMINALS	1	COPPER ALLOY, CONTACT AREA:GOLD PLATING
2	METAL SHELL	1	STAINLESS STEEL
1	HOUSING	1	HEAT RESISTANCE POLYMER, UL94V0, BLACK
NO.	DESCRIPTION	QTY	MATERIAL

PIN NO	PIN NAME(SD MODE)
1	CD/DAT3
2	CMD
3	VSS1
4	VDD
5	CLK
6	VSS2
7	DAT2
8	DAT1
9	DAT2
10	NC(FOR FUTURE USE)
11	NC(FOR FUTURE USE)

DIM'A'	REMARK
2.03	WITHOUT CARD
2.10	WITH CARD INSERTION (ONLY FOR AREA OF 'S')

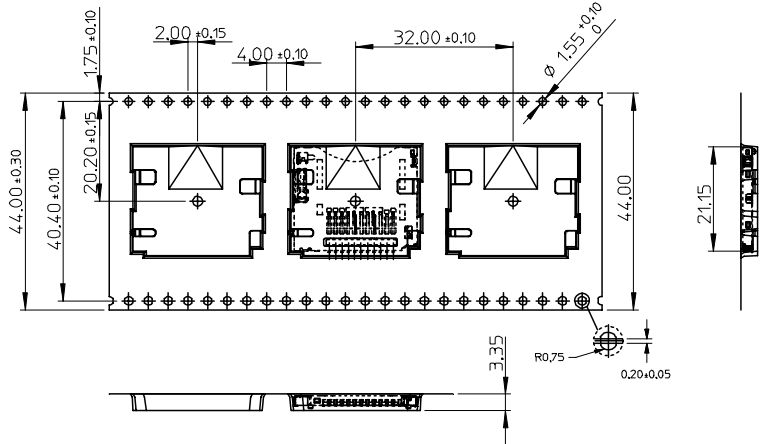
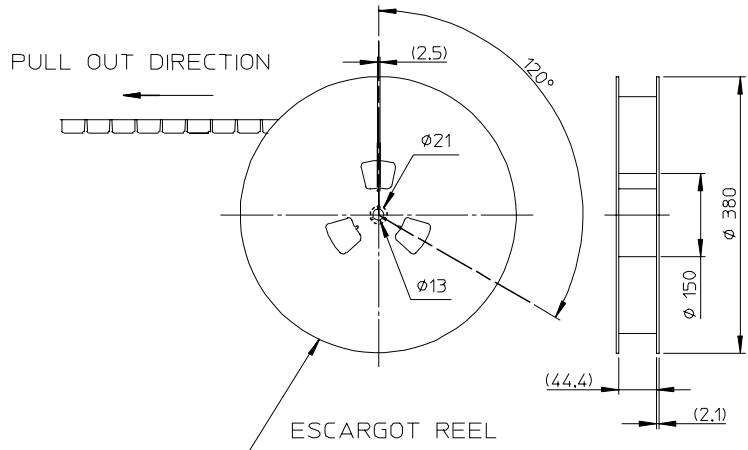
RTM
EC NO: 2005/04/06
DRAWN:GLL 2005/04/07
CHKD: 2005/04/07
APPR: YTYAP 2005/04/08

QUALITY SYMBOLS
▽ = 0
▽ = 0
▽ = 0

GENERAL TOLERANCES (UNLESS SPECIFIED)
4 PLACES ± --- ± ---
3 PLACES ± --- ± ---
2 PLACES ± 0.15 ± ---
1 PLACE ± 0.25 ± ---
ANGULAR ± 1/2°
DRAFT WHERE APPLICABLE
MUST REMAIN WITHIN DIMENSIONS

SCALE 2:1
DESIGN UNITS METRIC
DIMENSION STYLE MM ONLY
DRAWN BY VPENG DATE 20031015
CHECKED BY WWSCHANG DATE 20031015
APPROVED BY ELAN DATE 20031015

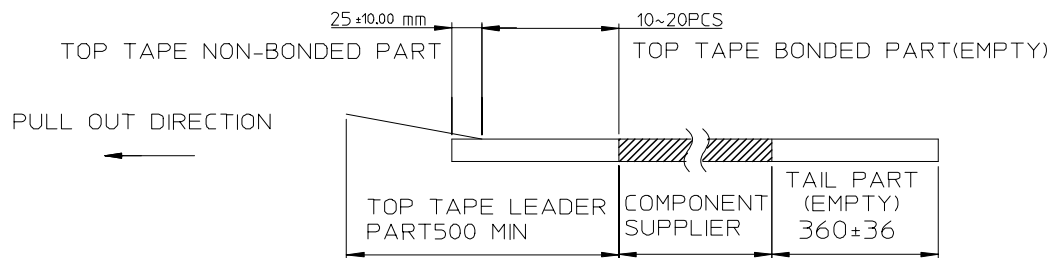
THIRD ANGLE PROJECTION
REVISE ON CAD ONLY
SALES DRAWING
MINI SD CONNECTOR
-LEAD FREE-
molex MOLEX INCORPORATED
MATERIAL NO. 48050-0001
DOCUMENT NO. SD-48050-001
SHEET NO. 1 OF 2
THIS DRAWING CONTAINS INFORMATION THAT IS PROPRIETARY TO MOLEX INCORPORATED AND SHOULD NOT BE USED WITHOUT WRITTEN PERMISSION



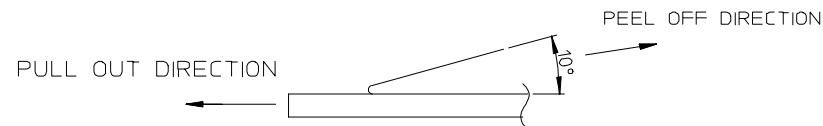
PULL OUT DIRECTION
DIRECTION OF CONNECTOR IN EMBOSSED TAPE

NOTES

1. NUMBER OF CONNECTORS: 250 PCS/REEL
- 2.



3. PEEL OFF FORCE OF TOP TAPE: 0.1~1.3 N (10.2~130gf)
PEELING DIRECTION AS SHOWN IN FOLLOWING FIG.)
(PEEL OFF SPEED: 300mm/min.REF.)



4. PACKAGING DRAWING REFERS TO PK-48141-001.

RTM SH2005-0114 EC NO: SH2005-0114 DRAWN: GLLI CHKD: 2005/04/07 APPR: YIYAP 2005/04/06 2005/04/08	QUALITY SYMBOLS ▽=0 ▽=0	GENERAL TOLERANCES (UNLESS SPECIFIED)		DIMENSION STYLE MM ONLY	SCALE	DESIGN UNITS METRIC	THIRD ANGLE PROJECTION		
			mm	INCH	DRAWN BY VPENG	DATE 20031015	TITLE SALES DRAWING MINI SD CONNECTOR -LEAD FREE-		
		4 PLACES	± ---	± ---	CHECKED BY MWSCHANG	DATE 20031015	MOLEX INCORPORATED		
		3 PLACES	± ---	± ---	APPROVED BY ELAN	DATE 20031015	DOCUMENT NO. SD-48050-001	SHEET NO. 2 OF 2	
			2 PLACES	± 0.15	± ---	DRAFT WHERE APPLICABLE MUST REMAIN WITHIN DIMENSIONS			
			1 PLACE	± 0.25	± ---	SIZE A3 THIS DRAWING CONTAINS INFORMATION THAT IS PROPRIETARY TO MOLEX INCORPORATED AND SHOULD NOT BE USED WITHOUT WRITTEN PERMISSION			
			ANGULAR ±1/2°						