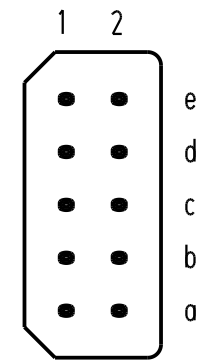


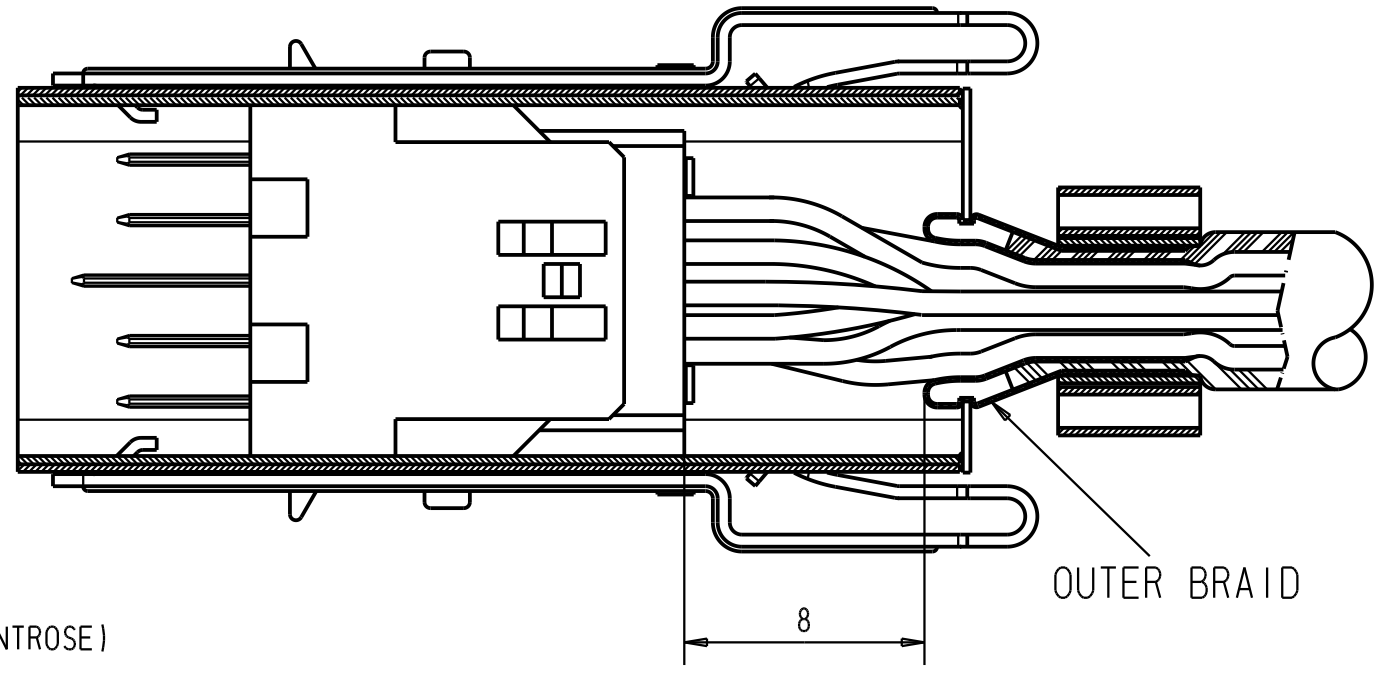
IEEE 1355 WIRING

CONNECTOR 1	COLOR CODE	CONNECTOR 2
2-e	BROWN	1-a
1-e	BLUE	2-a
2-d	RED	1-b
1-d	GREEN	2-b
2-c	BLACK	2-c
1-c	WHITE	1-c
2-b	ORANGE	1-d
1-b	YELLOW	2-d
2-a	VIOLET	1-e
1-a	GREY	2-e

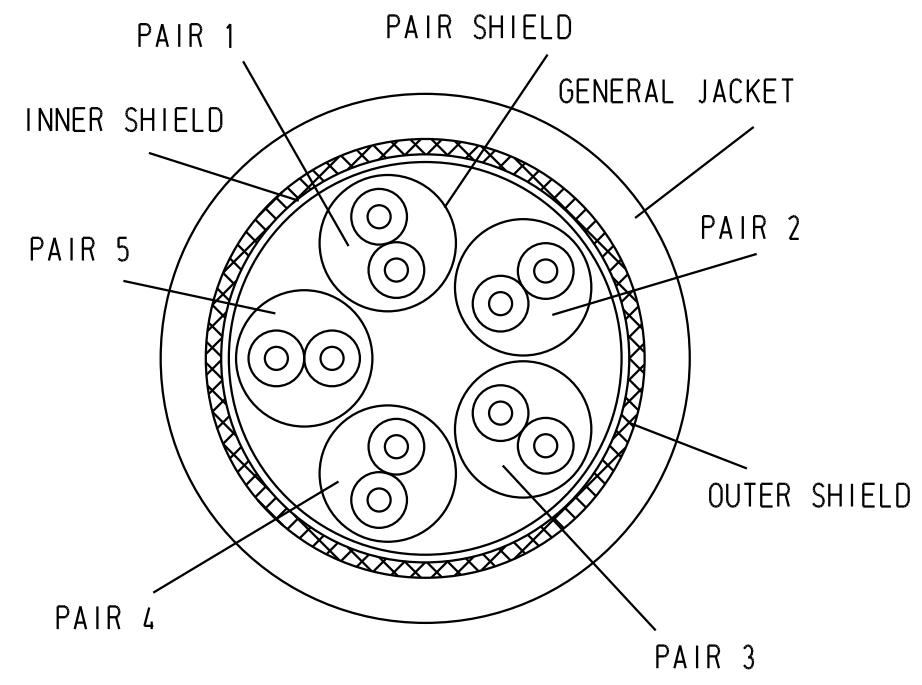
CONTACTS ARRANGEMENT  
(VIEW MATING FACE)



CABLING DETAIL  
OF OUTER BRAID



CABLE CROSS-SECTION



CABLE WESSEX/CDT (former MONTROSE)  
CBL9605 (halogen-free)  
COLOR CODES DISTRIBUTION

COMPONENT	CONDUCTOR 1	CONDUCTOR 2
PAIR 1	RED	GREEN
PAIR 2	BROWN	BLUE
PAIR 3	ORANGE	YELLOW
PAIR 4	VIOLET	GREY
PAIR 5	BLACK	WHITE

2,0 m	27 11 169 8002
0,5 m	27 11 169 8001
L Cable length	Part-No.

Mod.	Dot.	Name	Det.	Date	Name
			Detail.	29-NOV-02	JB
			Insp.		
			Stand.		
33283	12/12/05	JMDR			
31365	29-NOV-02	JB			
HARTING FRANCE F-95972 Paris					

	har.link <sup>®</sup> Harnesses with WESSEX/CDT (former Montrose) cable IEEE 1355 cabling	Maßstab/ Scale 4:1
Sub.	TB 27 11 169 800X	Blatt/ Page 1

Alle Rechte vorbehalten. All rights reserved