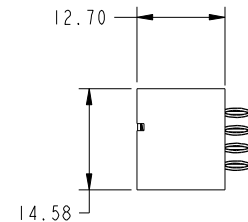
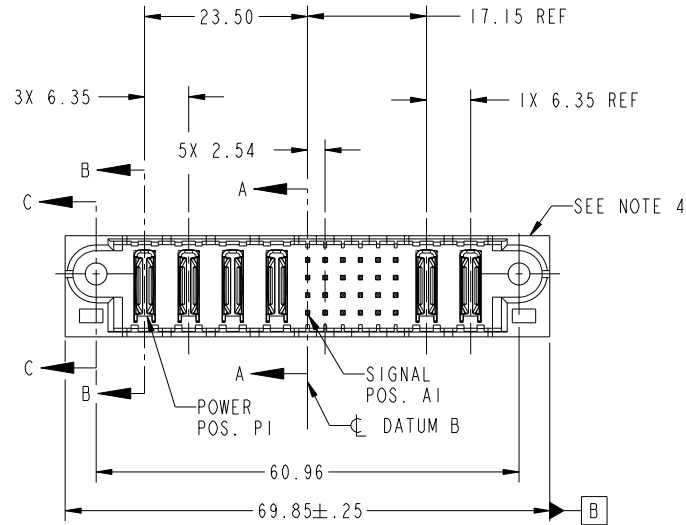


Tous droits strictement reserves. Reproduction ou communication a des tiers interdite sous quelque forme que ce soit sans autorisation écrite du propriétaire. Propriete de c FCI. Droits de reproduction FCI.



All rights strictly reserved. Reproduction or issue to third parties in any form whatever is not permitted without written authority from the proprietor. Property of FCI. Copyright FCI.

PRODUCT NO.	ROWS	POWER				SIGNAL						POWER		E2	
		E1	P1	P2	P3	P4	1	2	3	4	5	6	P5		P6
51710-026-- NOTE ③	D C B A		PC	PC	PC	PC	G	G	G	G	G	G	PC	PC	



CODE	DIM "M" MATING LENGTH	CONTACT TYPE
PC	[N/A]	POWER
G	[6.86]	SIGNAL
K	[5.59]	SIGNAL

mat'l code				tolerances unless otherwise specified		CUSTOMER		
ltr	ecn no.	dr	date	linear	0.X ±0.5	COPY	www.fciconnect.com	
A	DG06-0391	JULIA	09/15/06		0.XX ±0.25	projection	title	
B	DG07-0357	JULIA	09/10/07		0.XXX ±0.10		4P + 24S + 2P VERTICAL PF HEADER	
C	DG08-0273	JW	12/05/08	angles	0° ±2°		product family	PwrBlade
				dr	JULIA WANG 09/15/06	scale	size	code
				enr	RYAN YUAN 09/15/06	1:1	dwg no	213
				chr	BEER FU 09/15/06		51710-026	sheet
				appd	JOSEPH HSIA 09/15/06			1 of 4
sheet index	revision sheet	C	C	C	C			
		1	2	3	4			

cage code 22526

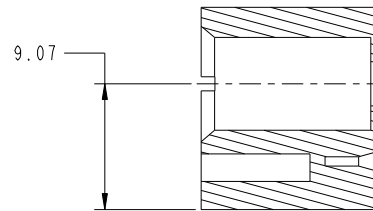
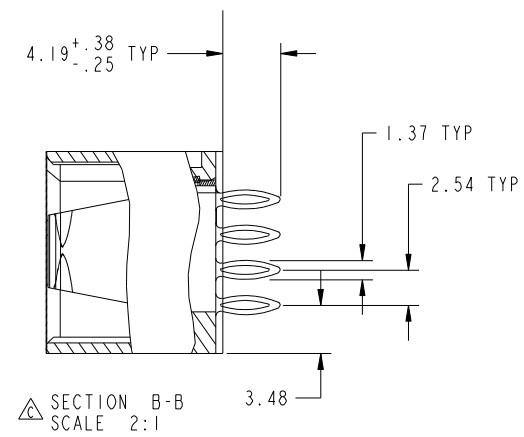
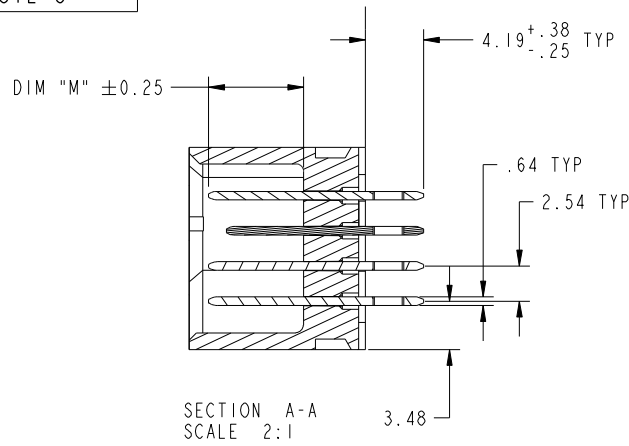
Pro/E

Tous droits strictement reserves. Reproduction ou communication a des tiers interdite sous quelque forme que ce soit sans autorisation ecrite du proprietaire. Propriete de c FCI. Droits de reproduction FCI.

All rights strictly reserved. Reproduction or issue to third parties in any form whatever is not permitted without written authority from the proprietor. Property of FCI. Copyright FCI.



PRODUCT NUMBER
51710-026--
NOTE 3



SECTION C-C
SCALE 2:1

CONFIDENTIAL

mat'l code				tolerances unless otherwise specified			CUSTOMER		FCI		www.fciconnect.com	
ltr	ecn no.	dr	date	linear	0.X ±0.5		COPY		projection	title		
C					0.XX ±0.25		MIM			4P + 24S + 2P VERTICAL PF HEADER		
					0.XXX ±0.10		1:1			product family PwrBlade code 213		
				angles	0° ±2°		scale		size	dwg no 51710-026		sheet 2 of 4
				dr	JULIA WANG 09/15/06				A			
				enr	RYAN YUAN 09/15/06							
				chr	BEER FU 09/15/06							
				appd	JOSEPH HSIA 09/15/06							
sheet index	revision sheet											

cage code 22526

Pro/E

Tous droits strictement réservés. Reproduction ou communication a des tiers interdite sous quelque forme que ce soit sans autorisation écrite du propriétaire. Propriété de c FCI. Droits de reproduction FCI.



All rights strictly reserved. Reproduction or issue to third parties in any form whatever is not permitted without written authority from the proprietor. Property of FCI. Copyright FCI.

PRODUCT NUMBER
51710-026--
NOTE 3

NOTES:

1. DIMENSIONS AND TOLERANCES ARE IN ACCORDANCE WITH ASME Y14.5M, 1994 UNLESS OTHERWISE SPECIFIED.

CONNECTOR NOTES:

- 2 HOUSING MATERIAL: UL 94 V-0 GLASS FILLED
HIGH-TEMP THERMOPLASTIC
POWER CONTACT MATERIAL: COPPER ALLOY
SIGNAL PIN MATERIAL: COPPER ALLOY
 - 3. PLATING:
SEE ITEM 3 & 4 IN PRINT 10064183 FOR PLATING SPEC OF 51710-026; 51710-026LF PRESPECTIVELY
 - 4 MANUFACTURER'S NAME, P/N, AND DATE CODE TO APPEAR ON THIS SURFACE.
 - 5. PRODUCT SPECIFICATION GS-12-149.
APPLICATION SPECIFICATION BUS-20-067.
 - 6. PACKAGED IN TRAYS.
- PCB NOTES:
- 7. ALL HOLE DIAMETERS ARE FINISHED HOLE SIZE.
 - 8. MOUNTING HOLES, WHERE APPLICABLE, ARE UNPLATED.
 - 9 $\varnothing 1.151 \pm 0.025$ DRILLED HOLES PLATED WITH
0.008 MIN SnPb OR Sn OVER 0.03
TO 0.08 Cu PLATING TO ACHIEVE
 $\varnothing 1.02 \pm .07$ HOLE.
 - 10 "DIM XXX" TO BE DETERMINED BY THE CUSTOMER.
 - 11 CONNECTOR KEEP-OUT ZONE.
 - 12. FOR PRESS FIT APPLICATION USE FCI CAM TOOL 430169-XXX.
 - 13. A \triangle SYMBOL WILL BE NEXT TO ANY DIMENSION, VIEW, OR NOTE WHICH HAS BEEN MODIFIED WITH THE CURRENT DRAWING REVISION.

mat'l code				tolerances unless otherwise specified		CUSTOMER		FCI	
ltr	ecr no.	dr	date	linear	0.X ± 0.5	COPY		www.fciconnect.com	
C					0.XX ± 0.25	projection		title	
				angles	0.XXX ± 0.10			4P + 24S + 2P VERTICAL PF HEADER	
					0° + 2°	MIM		product family PwrBlade code	
				dr	JULIA WANG 09/15/06	← MIM →		size 213	
				enr	RYAN YUAN 09/15/06	scale		dwg no 51710-026 sheet 4 of 4	
				chr	BEER FU 09/15/06	1:1			
				appd	JOSEPH HSIA 09/15/06				
sheet index	revision sheet								

cage code 22526

Pro/E