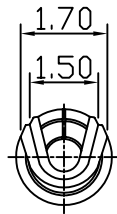
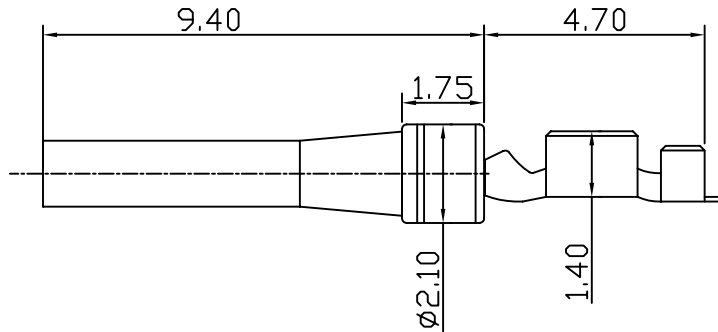


This document is the property of Amphenol Corporation and is delivered on the express condition that it is not to be disclosed, reproduced or used, in whole or in part, for manufacture or sale by anyone other than Amphenol Corporation without its prior consent, & that no right is granted to disclose or to use any information in this document.



SOCKET



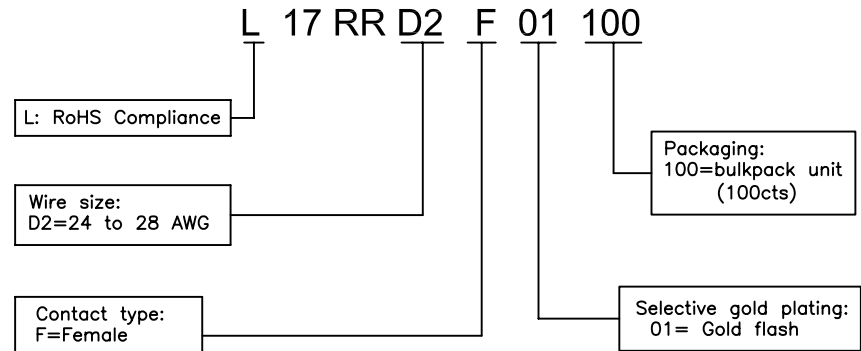
REVISIONS				
SYM	ECN	DESCRIPTION	DATE	APPROVED
1			07/24/08	

D-SUB TECHNICAL DATA

CONTACTS:

- Material: Phosphor Bronze
- Finishes: gold flash on full contact.
- Contact current rating: 3A
- Contact resistance: 20 mOhms max.

PRODUCT CODE



UNLESS OTHERWISE SPECIFIED TOLERANCES		APPROVAL		DATE
U.S.	METRIC	DRAWN	Checked	DATE
.X +/-	0.50	Mary.msa		07/24/08
.XX +/-	0.30	Checked	kk.wang	07/24/08
.XXX +/-	0.20	Checked		
FRACTIONS +/-				
ANGLES +/-	2°			
FOR MATERIALS AND FINISHES SEE NOTES		DRAWING FILE :		
REMOVE SHARP EDGES		ANGLE OF PROJECTION		
DIMENSIONS				
U.S.	INCHES			
METRIC	MM			

Amphenol®

TITLE		
CONTACTS, RR series		
SIZE	DRAWING NO.	REV.
A4	C L17RRD2F01100	1
SCALE	NONE	SHEET 1 OF 1