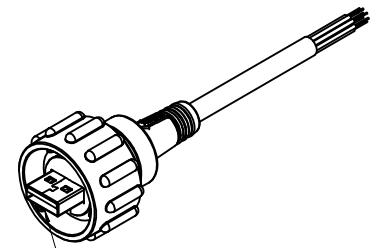
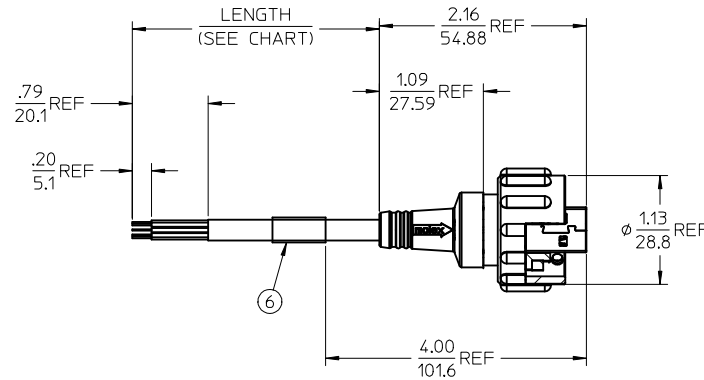


PART NO.	LENGTH
847341002	1.50M +31.75/-0 (4' 11.06") +1.25"/-0"
847341001	2.00M +44.45/-0 (6' 6.75") +1.75"/-0"
847341003	3.00M +63.50/-0 (9' 10.12") +2.50"/-0"
847341004	5.00M +101.60/-0 (16' 4.85") +4.00"/-0"
847341005	0.15M +25.40/-0 (0' 5.91") +1.00"/-0"
847341905	0.27M +19mm-0 (0' 10.63") +.75"-0"



BAYONET STYLE LOCKING INTERFACE



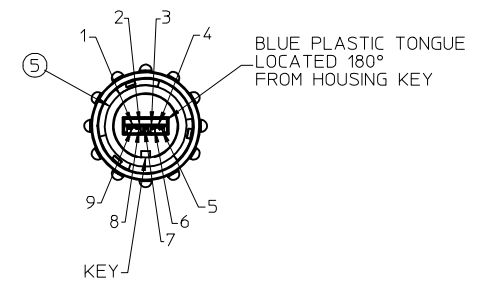
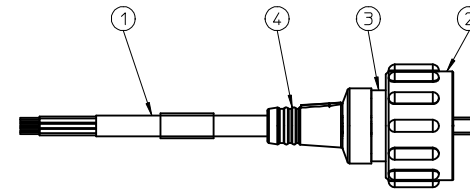
NOTES:

1. MATERIAL: SEE TABLE
2. FINISHES: SEE TABLE
3. CABLES:

A) CABLE FOR ASSEMBLIES ≤0.8M (800mm) LG;
 OUTER JACKET: PVC, $\phi 5.50 \pm 0.3$, BLACK
 (2) 28AWG SHIELDED TWISTED PAIRS WITH ALUMINUM/MYLAR SHIELD.
 WITH STRANDED TINNED COPPER DRAIN WIRE.
 (1) 28AWG SHIELDED TWISTED PAIR WITH ALUMINUM SHIELD.
 (2) 28AWG INSULATED CONDUCTORS, STRANDED, TINNED COPPER
 CABLE SHIELD: BRAIDED TINNED COPPER WIRE
 CABLE: UL2725 FILE: E164571

B) CABLE FOR ASSEMBLIES >0.8M(800mm)LG;
 OUTER JACKET: PVC, $\phi 6.50 \pm 0.3$, BLACK
 (2) 26AWG SHIELDED TWISTED PAIRS WITH ALUMINUM/MYLAR SHIELD.
 WITH STRANDED TINNED COPPER DRAIN WIRE.
 (1) 28AWG SHIELDED TWISTED PAIR WITH ALUMINUM/MYLAR SHIELD.
 (2) 22AWG CONDUCTORS STRANDED TINNED COPPER
 CABLE SHIELD: BRAIDED TINNED COPPER WIRE
 CABLE: UL2725 FILE: E164571

4. CABLE TEMPERATURE: 80°C, VOLTAGE: 30V & FLAME RATING: VW-1 RATING
5. CABLE LENGTHS GREATER THAN USB3.0 SPECIFICATION SHALL BE END USER QUALIFIED IN APPLICATION.
6. CONNECTOR MEETS USB3.0 SPECIFICATION.
7. CONNECTOR TESTED FOR CONTINUITY.
8. TYPE A CONNECTOR:
 SHELL: PHOSPHOR BRONZE, NI PLATED
 CONTACTS: PHOSPHOR BRONZE, GOLD PLATED 30MNCES MIN. OVER NICKEL.
9. PLUG CONNECTOR MATES WITH MOLEX USB3.0 RECEPTACLE 84733
10. PLUG CONNECTOR MATES WITH DUST CAP 847000003
11. CONNECTOR IS RATED IP67 WHEN MATED TO A MOLEX DUST CAP OR MOLEX MATING CONNECTOR.
13. ASSEMBLY IS RoHS COMPLIANT



BLUE PLASTIC TONGUE LOCATED 180° FROM HOUSING KEY

PIN OUT

P1	WIRE COLOR	SIGNAL	REMARKS
1	RED	VBUS	
2	WHITE	D-	
3	GREEN	D+	
4	BLACK	GND	
5	BLUE	StdA_SSRX-	
6	YELLOW	StdA_SSRX+	
7	DRAIN WIRE		H.S. TUBING
8	PURPLE	Std_SSTX-	
9	ORANGE	Std_SSTX+	
SHELL		BRAID	H.S. TUBING

ITEM	QTY.	DESCRIPTION	MATERIAL	FINISH
6	1	WRAP LABEL	PLASTIC FILM	YELLOW
5	1	GASKET SEAL	NITRILE	BLACK
4	1	OVERMOLD	PVC	BLACK
3	1	HOLDER	POLYESTER	BLACK
2	1	COUPLING RING	POLYESTER	BLACK
1	1	USB TYPE-A PLUG SHIELDED PIGTAIL	BRASS/PLASTIC	N/A

UPDATE NOTES EC NO: IPG2015-0592 DRW:BRUPERT 2015/02/24 CHKD: CHKD: BWOODMAN 2015/05/22 APPR: BWOODMAN	QUALITY SYMBOLS ▽=0 ▽=0	GENERAL TOLERANCES (UNLESS SPECIFIED)		DIMENSION STYLE IN/MM		SCALE 1:1	DESIGN UNITS INCH	THIRD ANGLE PROJECTION	
		4 PLACES ± --- ± --- 3 PLACES ± --- ± .005 2 PLACES ± 0.13 ± .010 1 PLACE ± 0.3 ± --- 0 PLACE ± --- ± ---	mm INCH DRAWN BY DATE BRUPERT 2014/03/17 CHECKED BY DATE	TITLE USB3.0 PLUG CABLE ASSY		APPROVED BY DATE BWOODMAN 2014/03/25		DOCUMENT NO. SD-84734-001	
DRAFT WHERE APPLICABLE MUST REMAIN WITHIN DIMENSIONS		MATERIAL NO. SEE CHART		THIS DRAWING CONTAINS INFORMATION THAT IS PROPRIETARY TO MOLEX INCORPORATED AND SHOULD NOT BE USED WITHOUT WRITTEN PERMISSION					