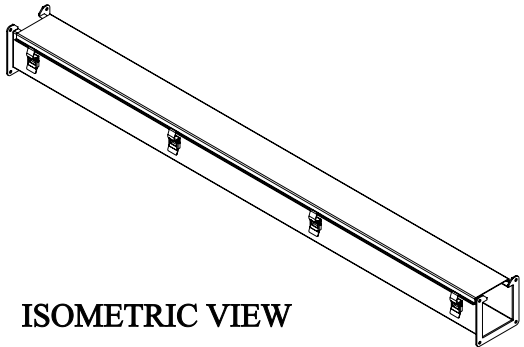
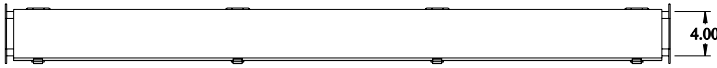
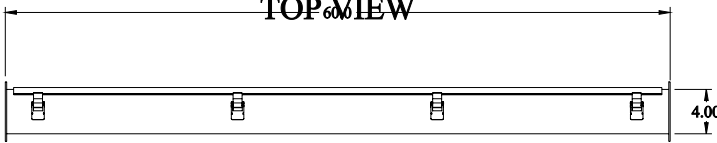
 **PART No. 1485C60**
for more information visit
www.hammfg.com
Data subject to change without notice
Isometric drawing Not to Scale



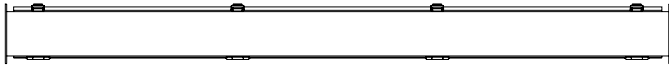
ISOMETRIC VIEW



TOP VIEW



FRONT VIEW



BOTTOM VIEW



SIDE VIEW



SIDE VIEW