

# Hall Effect Current Sensors L08P\*\*\*D15W / IPV



## Features:

- Open Loop type
- Printed circuit board mounting
- 4 pin PCB connection
- Bipolar power supply
- Extended measurement range
- Insulated plastic case according to UL94V0

## Advantages:

- Excellent accuracy
- Very good linearity
- Low temperature drift
- No insertion loss
- High Immunity To External Interference
- Current overload capability

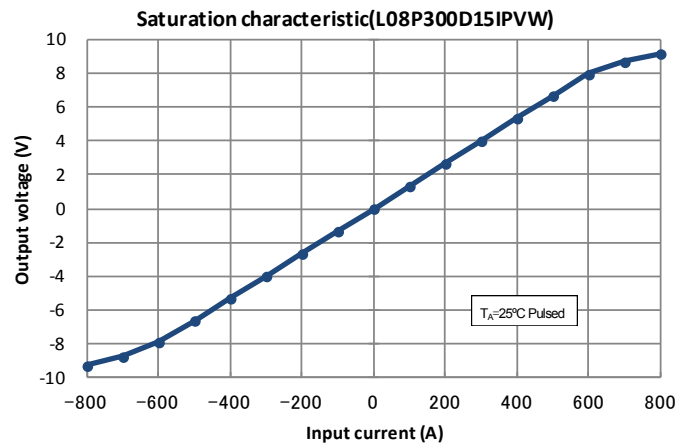
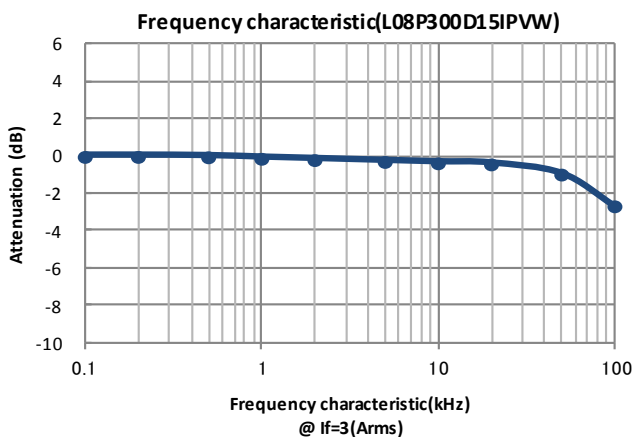
## Specifications

 $T_A=25^{\circ}\text{C}$ ,  $V_{CC}=\pm 15\text{V}$ ,  $R_L=10\text{k}\Omega$ 

Parameters	Symbol	L08P100D15IPV	L08P200D15W	L08P300D15IPVW
Primary nominal current	$I_f$	100AT	200AT	300AT
Saturation current	$I_{fmax}$	$\geq \pm 300\text{AT}$	$\geq \pm 600\text{AT}$	$\geq \pm 600\text{AT}$
Rated output voltage	$V_o$	4V $\pm 0.040\text{V}$ (at $I_f$ )		
Offset voltage <sup>1</sup>	$V_{of}$	$\leq \pm 0.030\text{V}$ (at $I_f = 0\text{A}$ )		
Output linearity <sup>2</sup> (0A~ $I_f$ )	$\epsilon_L$	$\leq \pm 1\%$ (at $I_f$ )		
Power supply voltage	$V_{CC}$	$\pm 15\text{V} \pm 5\%$		
Consumption current	$I_{CC}$	$\leq 20\text{mA}$		
Response time <sup>3</sup>	$t_r$	$\leq 5\mu\text{s}$ (at $di/dt = 100\text{A} / \mu\text{s}$ )		
Thermal drift of gain <sup>4</sup>	$TcV_o$	$\leq \pm 0.05\% / ^{\circ}\text{C}$		
Thermal drift of offset	$TcV_{of}$	$\leq \pm 1.0\text{mV} / ^{\circ}\text{C}$		
Hysteresis error	$V_{OH}$	$\leq 20\text{mV}$ (at $I_f=0\text{A} \rightarrow I_f \rightarrow 0\text{A}$ )		
Insulation voltage	$V_d$	AC 2500V for 1minute (sensing current 0.5mA), inside of through hole $\leftrightarrow$ terminal		
Insulation resistance	$R_{IS}$	$\geq 500\text{M}\Omega$ (at DC500V), inside of through hole $\leftrightarrow$ terminal		
Ambient operation temperature	$T_A$	$-20^{\circ}\text{C} \sim +80^{\circ}\text{C}$		
Ambient storage temperature	$T_S$	$-25^{\circ}\text{C} \sim +85^{\circ}\text{C}$		

<sup>1</sup> After removal of core hysteresis—<sup>2</sup> Without offset —<sup>3</sup> Time between 10% input current full scale and 90% of sensor output full scale —<sup>4</sup> Without Thermal drift of offset

## Electrical Performances

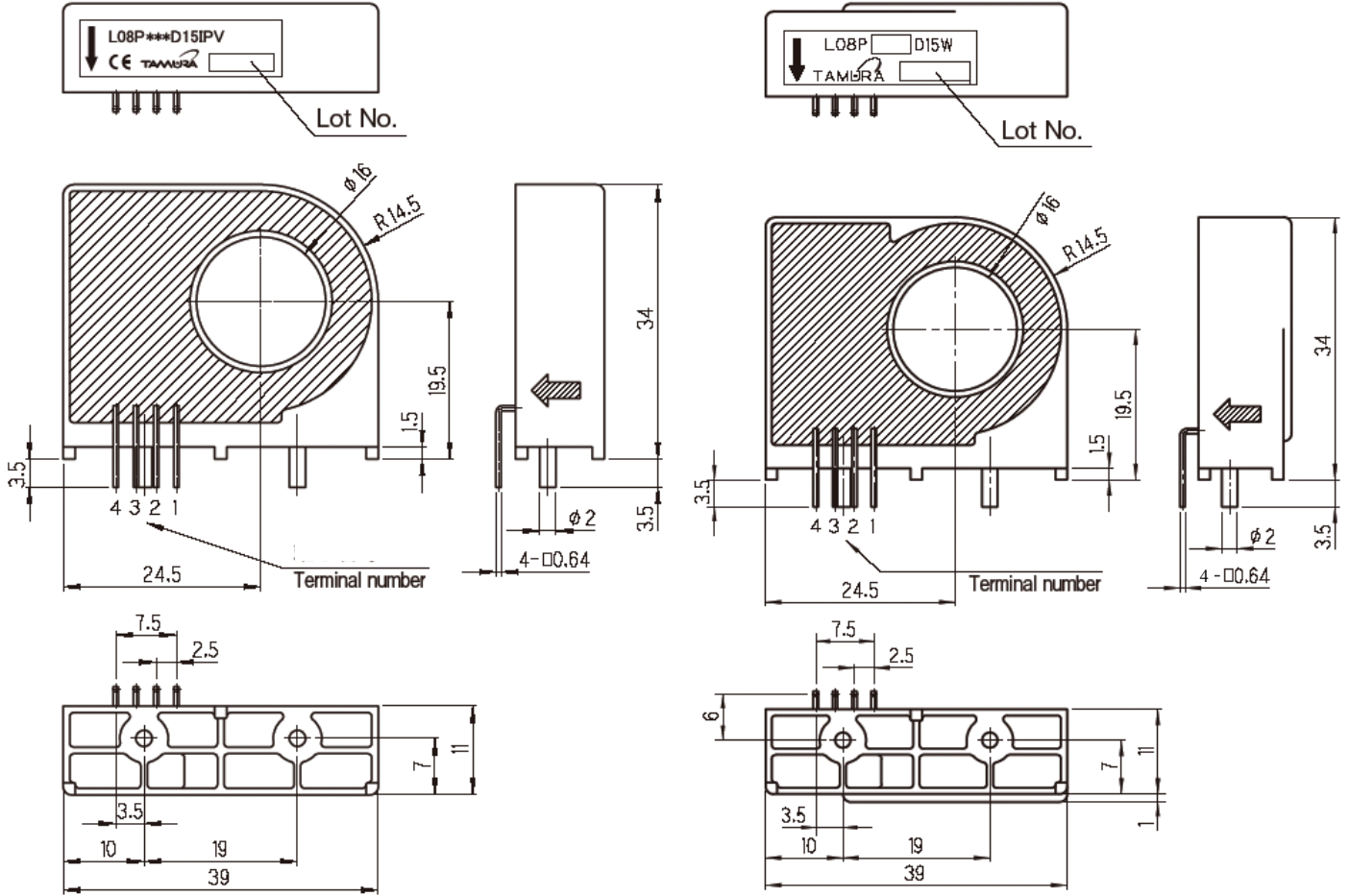


# Hall Effect Current Sensors L08P\*\*\*D15W / IPV

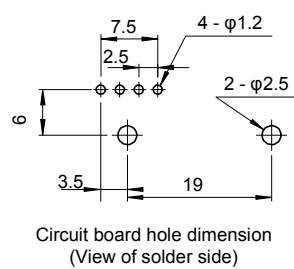
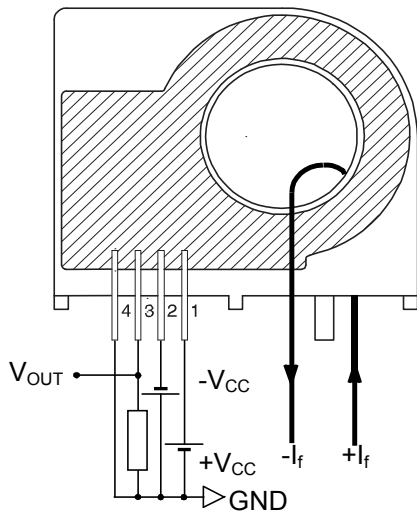
## Mechanical dimensions

L08P100D15IPV

L08P200D15W L08P300D15IPVW



## Electrical connection diagram



NOTES  
1. Unit is mm  
2. Tolerance is 0.5mm

Terminal number:  
1. +V<sub>CC</sub>(+15V)  
2. -V<sub>CC</sub>(-15V)  
3. V<sub>OUT</sub>  
4. GND

## Package & Weight Information

Weight	Pcs/box	Pcs/carton	Pcs/pallet
20g	50	500	9000

