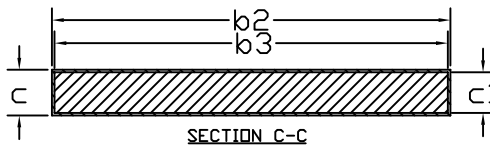
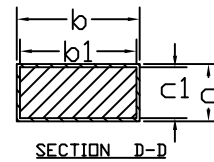
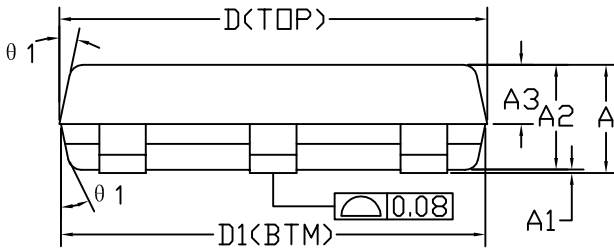
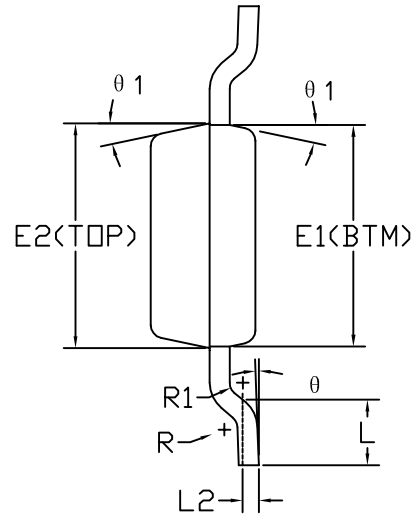
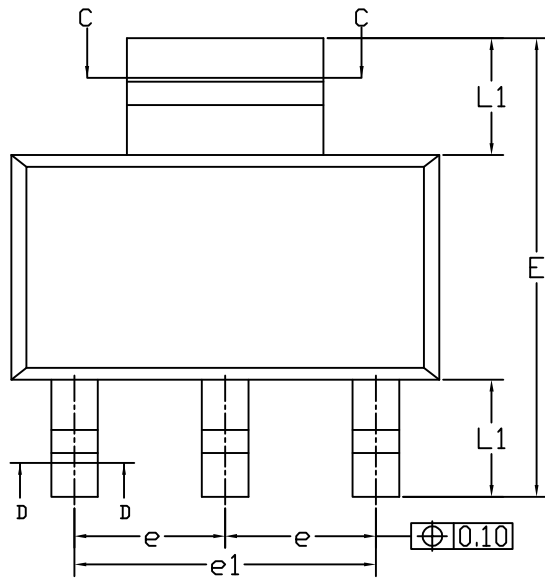
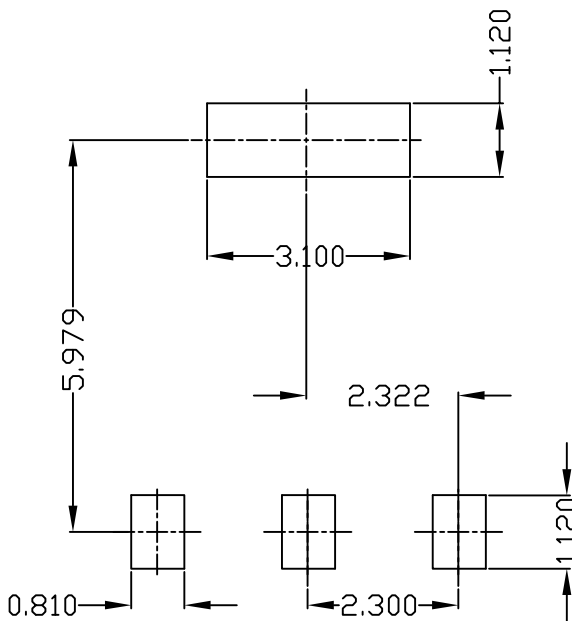




SOT223\_4L PACKAGE OUTLINE



RECOMMENDED LAND PATTERN



SYMBOLS	DIMENSIONS IN MILLIMETERS			DIMENSIONS IN INCHES		
	MIN	NOM	MAX	MIN	NOM	MAX
A	---	---	1.80	---	---	0.071
A1	0.02	---	0.10	0.000	---	0.002
A2	1.50	1.60	1.70	0.059	0.063	0.067
A3	0.80	0.90	1.00	0.031	0.035	0.039
b	0.67	---	0.80	0.026	---	0.031
b1	0.66	0.71	0.76	0.026	0.028	0.030
b2	2.96	---	3.09	0.117	---	0.122
b3	2.95	3.00	3.05	0.116	0.118	0.120
c	0.30	---	0.35	0.012	---	0.014
c1	0.29	0.30	0.31	0.011	0.012	0.012
D	6.48	6.53	6.58	0.255	0.257	0.259
D1	6.43	6.48	6.53	0.253	0.255	0.257
E	6.80	---	7.20	0.268	---	0.283
E1	3.30	3.38	3.48	0.130	0.133	0.137
E2	3.33	3.43	3.53	0.131	0.135	0.139
e	2.25	2.30	2.35	0.088	0.091	0.093
e1	4.50	4.60	4.70	0.177	0.181	0.185
L	0.80	1.00	1.20	0.031	0.039	0.047
L1	1.78 REF			0.070 REF		
L2	0.25 BSC			0.010 BSC		
R	0.10	---	---	0.004	---	---
R1	0.10	---	---	0.004	---	---
theta	0°	---	8°	0°	---	8°
theta1	10°	12°	14°	10°	12°	14°

- NOTE  
 1. PACKAGE BODY SIZES EXCLUDE MOLD FLASH AND GATE BURRS.  
 MOLD FLASH AT THE NON-LEAD SIDES SHOULD BE LESS THAN 6 MILS EACH.  
 2. CONTROLLING DIMENSION IS MILLIMETER.  
 CONVERTED INCH DIMENSIONS ARE NOT NECESSARILY EXACT.