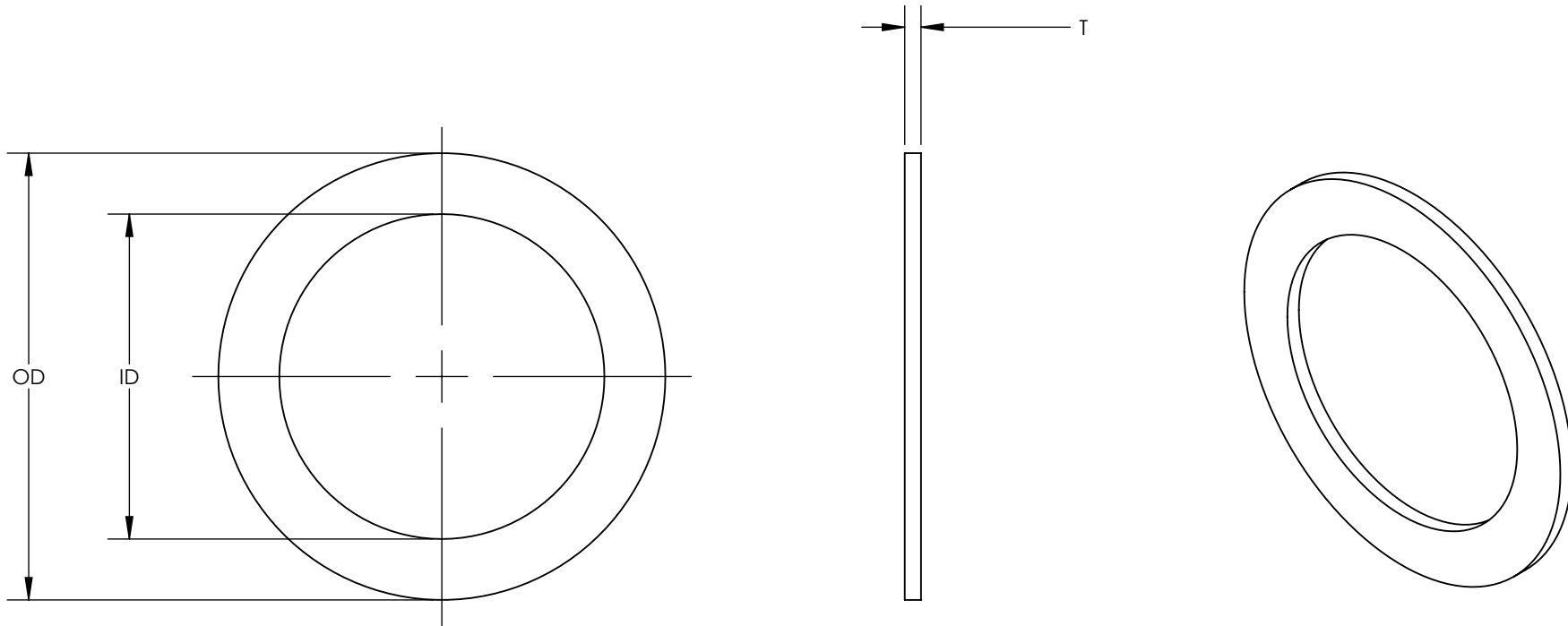


SW2014



|                |                |      |                 |         |            |          |            |
|----------------|----------------|------|-----------------|---------|------------|----------|------------|
| Revision level |                |      | Revision Record | Changed | Date       | Approved | Date       |
| Drawing        | State          | Part |                 |         |            |          |            |
| 00.0           | Design Release |      | SEE ECN# 013585 | GRW     | 10/13/2016 | KAC      | 10/13/2016 |



| To Fit Thread Size |    | HellermannTyton Part Number | Manufacturer Reference Number | Dimension        |      |                 |    |           |     |
|--------------------|----|-----------------------------|-------------------------------|------------------|------|-----------------|----|-----------|-----|
|                    |    |                             |                               | Outside diameter |      | Inside Diameter |    | Thickness |     |
| in.                | mm |                             |                               | in.              | mm   | in.             | mm | in.       | mm  |
| 3/8                | 16 | FW16                        | FW16                          | 0.87             | 22   | 0.63            | 16 | 0.06      | 1.6 |
| 1/2                | 20 | FW20                        | FW20                          | 1.02             | 26   | 0.79            | 20 | 0.06      | 1.6 |
| 3/4                | 25 | FW25                        | FW25                          | 1.26             | 32   | 0.98            | 25 | 0.06      | 1.6 |
| 1.00               | 32 | FW32                        | FW32                          | 1.62             | 41.2 | 1.26            | 32 | 0.06      | 1.6 |
| 1.25               | 40 | FW40                        | FW40                          | 1.97             | 50   | 1.57            | 40 | 0.06      | 1.6 |
| 1.50               | 50 | FW50                        | FW50                          | 2.36             | 60   | 1.97            | 50 | 0.06      | 1.6 |
| 2.00               | 63 | FW63                        | FW63                          | 2.87             | 73   | 2.48            | 63 | 0.06      | 1.6 |

Material  
VF

Units: **inches**  
 Dimension without tolerances details to:  
 .xxxx = ±.0005  
 .xxx = ±.005  
 .xx = ±.01  
 .x = ±.03  
 None = ±.06  
 ∠ = ±0.5°  
 Dimension Formatted in/[mm]

The copyright of this drawing is reserved by HellermannTyton. It is issued on condition that it is not reproduced, copied, or disclosed to a third party, either wholly or in part, without the consent of HellermannTyton.

Drawn GRW 10/13/2016  
 Approved KAC 10/13/2016

**HellermannTyton**  
 North America  
 Email: corp@htamericas.com  
 Web: www.hellermann.tyton.com

Article/Type-No FW SERIES  
 Title **HELAGUARD VULCANIZED FIBER SEALING WASHER**  
 Drawing-No PRODUCTION : Phase  
**16-1620-001-CSU**

Scale 2:1  
 Project Number PRP 16-1620  
 Format AH  
 Sheet 1/1