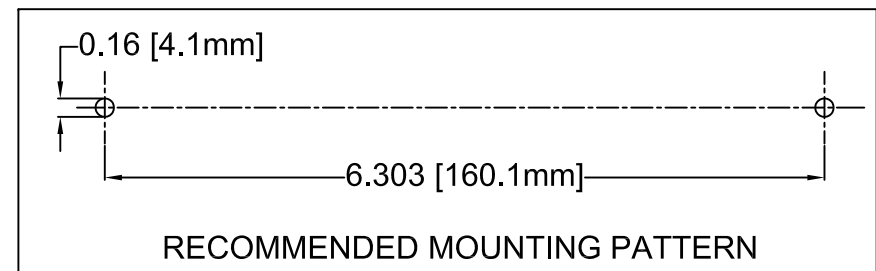
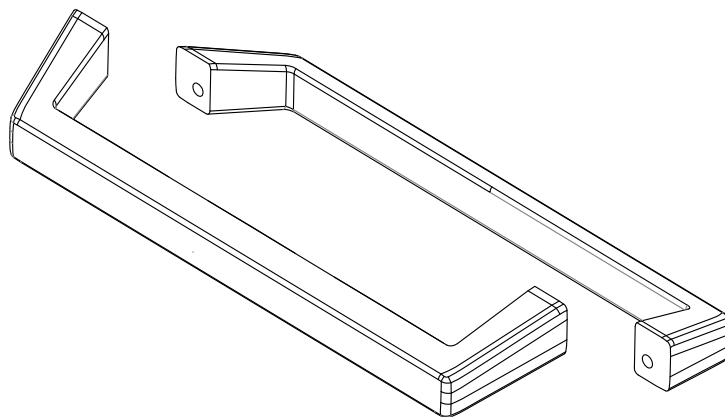
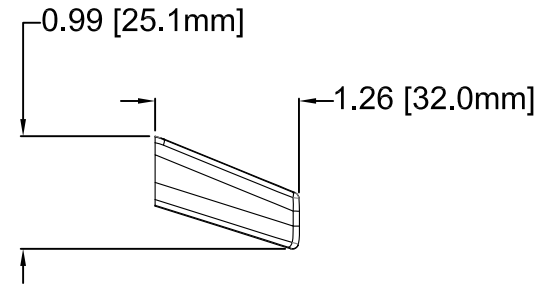
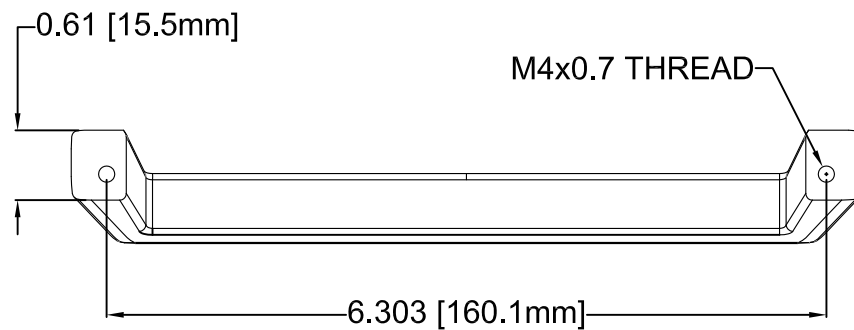
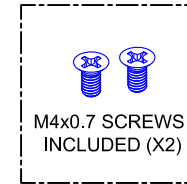
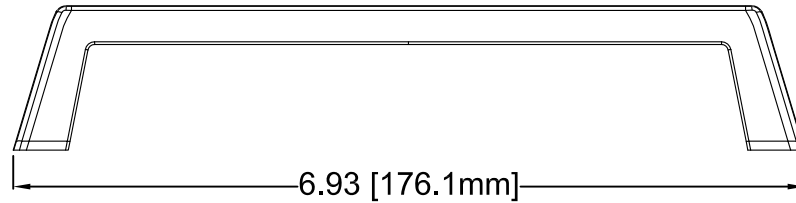


REV.	DESCRIPTION	DATE	APPROVED
A	Engineering Release.	07/17/14	J. C.



**NOTES:**  
 2. MOUNTING HARDWARE SHIPPED UNASSEMBLED  
 1. MATERIAL: ALUMINUM

STANDARD TOLERANCE ( UNLESS OTHERWISE SPECIFIED )		<b>BIVAR</b> <sup>®</sup> 4 THOMAS, IRVINE, CA. 92618 TEL: (949) 951-8808 FAX: (949) 951-3974	
DECIMALS	ANGULAR		
.X ± .1	X° ± 1°		<b>TITLE:</b> 4U SUBRACK HANDLE, RECTANGULAR
.XX ± .02			<b>PART NO:</b> SRH-4RUT
.XXX ± .010			<b>REVISION:</b> A
<b>DESIGNED:</b> Alex Wright	<b>DATE:</b> 07/17/14	<b>CAGE CODE :</b> 32559	<b>SHEET #</b> 1 OF 1
<b>CHECKED:</b> Brian Oliver	<b>DATE:</b> 07/17/14	CAD GENERATED DOCUMENT, DO NOT MEASURE DRAWING.	