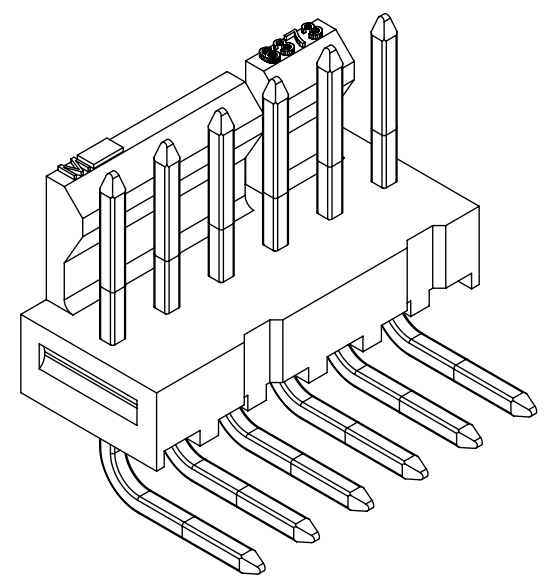
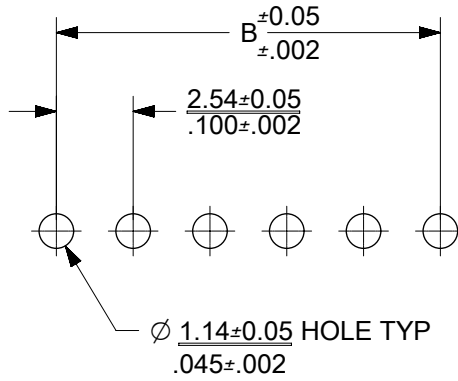
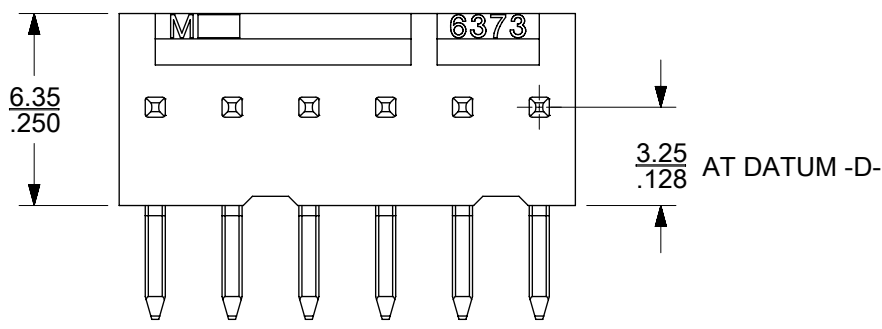
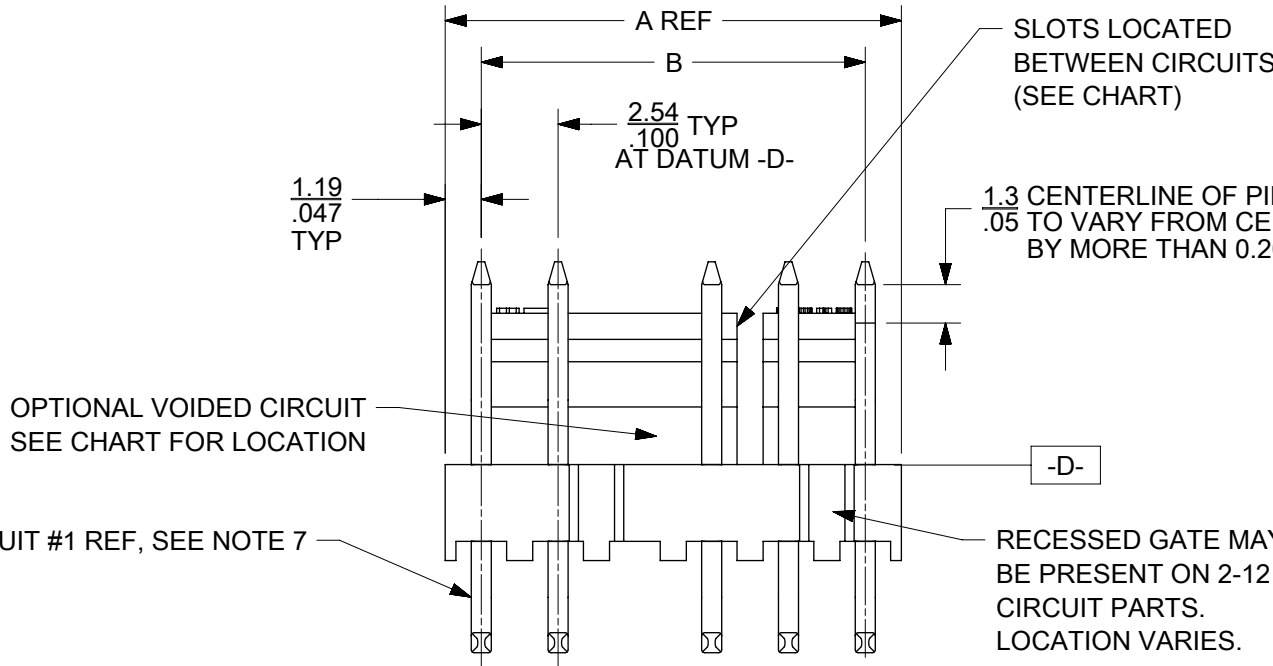


CKT	A	B	SLOTS LOCATION
02	4.93 .194	2.54±0.05 .100±.002	NONE
03	7.47 .294	5.08±0.10 .200±.004	NONE
04	10.01 .394	7.62±0.15 .300±.006	NONE
05	12.55 .494	10.16±0.15 .400±.006	NONE
06	15.09 .594	12.70±0.18 .500±.007	4, 5
07	17.63 .694	15.24±0.18 .600±.007	4, 5
08	20.17 .794	17.78±0.20 .700±.008	4, 5
09	22.71 .894	20.32±0.20 .800±.008	4, 5
10	25.25 .994	22.86±0.23 .900±.009	4, 5
11	27.79 1.094	25.40±0.23 1.000±.009	4, 5 8, 9
12	30.33 1.194	27.94±0.25 1.100±.010	4, 5 8, 9



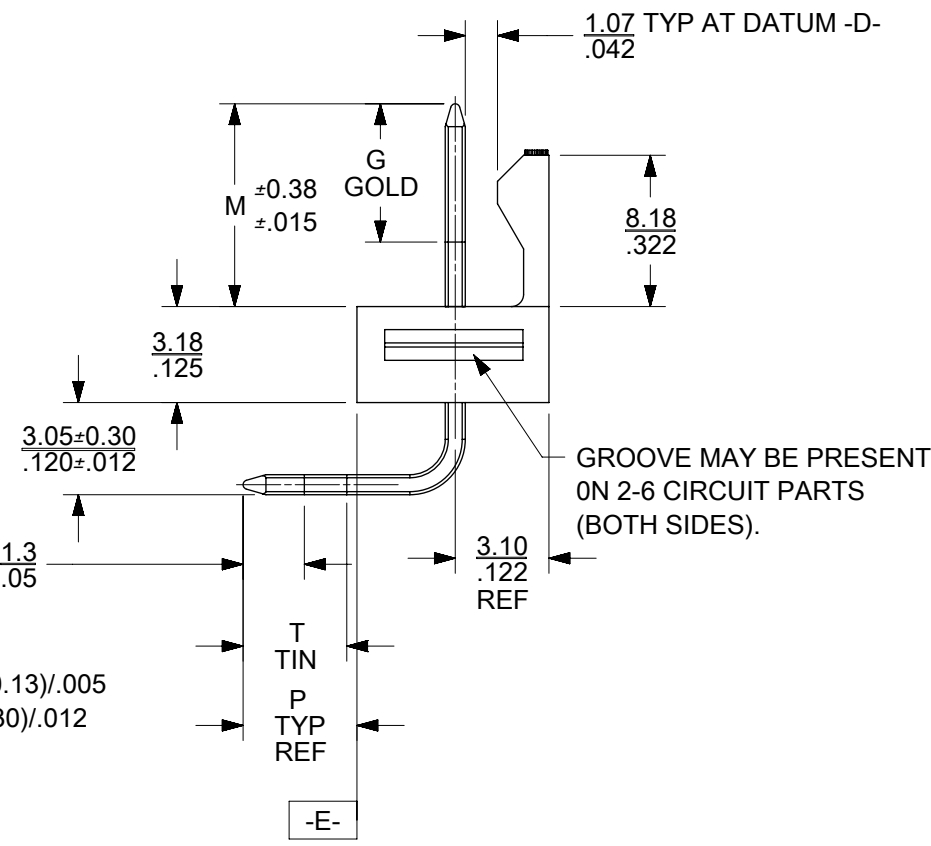
PCB LAYOUT: COMPONENT SIDE



1.3 CENTERLINE OF PIN IN AREA SHOWN NOT .05 TO VARY FROM CENTERLINE OF PIN AT DATUM -D- BY MORE THAN 0.20/.008 IN ANY DIRECTION.

CENTERLINE OF PIN IN AREA SHOWN NOT TO VARY FROM CENTERLINE OF PIN AT DATUM -E- BY MORE THAN .05 *** IN ANY DIRECTION.

DIMENSION P UNDER (3.58)/.141 = (0.13)/.005
DIMENSION P OVER (3.61)/.142 = (0.30)/.012



OPTIONAL VOIDED CIRCUIT SEE CHART FOR LOCATION

CIRCUIT #1 REF, SEE NOTE 7

RECESSED GATE MAY BE PRESENT ON 2-12 CIRCUIT PARTS. LOCATION VARIES.

GROOVE MAY BE PRESENT ON 2-6 CIRCUIT PARTS (BOTH SIDES).

- NOTES:
- MATERIAL: HOUSING: NYLON, UL 94V-1, COLOR: BLACK
PINS: BRASS
 - FINISH:
(197) = OVERALL REFLOWED MATTE TIN: 0.00152/.000060 MIN OVER 0.00127/.000050 MIN NICKEL.
(208) = SELECT GOLD: 0.00038/.000015 MIN,
SELECT MATTE TIN: 0.00254/.000100 MIN,
BOTH OVER 0.00127/.000050 MIN NICKEL.
(228) = SELECT GOLD: 0.00076/.000030 MIN,
SELECT MATTE TIN: 0.00254/.000100 MIN,
BOTH OVER 0.00127/.000050 MIN NICKEL.
 - PRODUCT SPECIFICATION AND PROCESS PARAMETERS: PS-171856-0001, PS-171856-0002
 - PACKAGING INFORMATION: SEE CHART.
 - MATES WITH 4455, 2695, 6471 SERIES
 - PARTS ARE STACKABLE END TO END ON 2.54/.100 CENTERS.
 - CIRCUIT ONE DESIGNATION IS USED TO DEFINE VOID LOCATION. CIRCUIT ONE MAY OR MAY NOT LINE UP WITH CIRCUIT ONE ON THE MATING HOUSING.
 - PIN PUSHOUT FORCE: 2 LBS MIN.
 - THIS PART CONFORMS TO CLASS B REQUIREMENTS OF COSMETIC SPECIFICATION PS-45499-002.

THIS DRAWING CONTAINS INFORMATION THAT IS PROPRIETARY TO MOLEX ELECTRONIC TECHNOLOGIES, LLC AND SHOULD NOT BE USED WITHOUT WRITTEN PERMISSION											
QUALITY SYMBOLS	CORRECT UL94V-1	2016/10/18 DRWN: PKH	2016/10/25 CHK'D: MKIPPER	2016/11/03 APPR: FSMITH	GENERAL TOLERANCES (UNLESS SPECIFIED)		DIMENSION UNITS	SCALE			
					MM	INCH	MM/IN	4:1			
▽ = 0					4 PLACES ±	±	DRWN BY	DATE			
▽ = 0					3 PLACES ±	± 0.01	MKIPPER	2012/12/05			
▽ = 0					2 PLACES ±	± 0.25 ± 0.015	CHK'D BY	DATE			
▽ = 0					1 PLACES ±	± 0.38 ±	SSOUSEK	2012/12/12			
▽ = 0					0 PLACES ±	±	APPR BY	DATE			
▽ = 0					ANGULAR TOL ± 0.5		FSMITH	2013/06/11			
▽ = 0					DRAFT WHERE APPLICABLE MUST REMAIN WITHIN DIMENSIONS		DRAWING SIZE	THIRD ANGLE PROJECTION			
▽ = 0							B				
							KK RPC .100 RIGHT ANGLE HEADER ASSEMBLY FRICTION LOCK				
							PRODUCT CUSTOMER DRAWING				
RELEASE STATUS		RELEASE DATE				SERIES		MATERIAL NUMBER		CUSTOMER	
						171857		SEE CHART		GENERAL MARKET	
							DOCUMENT NUMBER		DOC TYPE	DOC PART	SHEET NUMBER
							SD-171857-0001		PSD	000	1 OF *

GROUP:	171857-0002/-0012			
PLATING:	197			
MATING: (M)	6.73 / .265			
DIM. G:	N/A			
PC TAIL: (P)	2.54 / .100			
DIM T:	OVERALL			
PACKAGING:	PK-7478-001 BULK			
CKTS	MATERIAL NUMBER	CKTS	MATERIAL NUMBER	VOID CKT
2	171857-0002			
3	171857-0003			
4	171857-0004			
5	171857-0005			
6	171857-0006			
7	171857-0007			
8	171857-0008			
9	171857-0009			
10	171857-0010			
11	171857-0011			
12	171857-0012			

GROUP:	171857-1002/-1012			
PLATING:	208			
MATING: (M)	6.73 / .265			
DIM. G:	5.08 / .200			
PC TAIL: (P)	2.54 / .100			
DIM T:	3.43 / .135			
PACKAGING:	PK-7478-001 BULK			
CKTS	MATERIAL NUMBER	CKTS	MATERIAL NUMBER	VOID CKT
2	171857-1002			
3	171857-1003			
4	171857-1004			
5	171857-1005			
6	171857-1006			
7	171857-1007			
8	171857-1008			
9	171857-1009			
10	171857-1010			
11	171857-1011			
12	171857-1012			

GROUP:	171857-2002/-2012			
PLATING:	228			
MATING: (M)	6.73 / .265			
DIM. G:	5.08 / .200			
PC TAIL: (P)	2.54 / .100			
DIM T:	3.43 / .135			
PACKAGING:	PK-7478-001 BULK			
CKTS	MATERIAL NUMBER	CKTS	MATERIAL NUMBER	VOID CKT
2	171857-2002			
3	171857-2003			
4	171857-2004			
5	171857-2005			
6	171857-2006			
7	171857-2007			
8	171857-2008			
9	171857-2009			
10	171857-2010			
11	171857-2011			
12	171857-2012			

REV: A3	ECR/ECN INFORMATION: EC No.: UCP2015-1230 DATE: 10/14/2014	TITLE: KK RPC 100 RIGHT ANGLE HEADER ASSEMBLY, FRICTION LOCK	SHEET No. - 2 -
DOCUMENT NUMBER: SD - 171857 - 0001		CREATED / REVISED BY: MKIPPER	CHECKED BY: NNGUYEN
		APPROVED BY: FSMITH	

GROUP:	171857-0102/-0112			
PLATING:	197			
MATING: (M)	6.71 / .264			
DIM. G:	N/A			
PC TAIL: (P)	3.58 / .141			
DIM T:	OVERALL			
PACKAGING:	PK-7478-001 BULK			
CKTS	MATERIAL NUMBER	CKTS	MATERIAL NUMBER	VOID CKT
2	171857-0102			
3	171857-0103			
4	171857-0104			
5	171857-0105			
6	171857-0106			
7	171857-0107			
8	171857-0108			
9	171857-0109			
10	171857-0110			
11	171857-0111			
12	171857-0112			

GROUP:	171857-1102/-1112			
PLATING:	208			
MATING: (M)	6.71 / .264			
DIM. G:	4.57 / .180			
PC TAIL: (P)	3.58 / .141			
DIM T:	3.43 / .135			
PACKAGING:	PK-7478-001 BULK			
CKTS	MATERIAL NUMBER	CKTS	MATERIAL NUMBER	VOID CKT
2	171857-1102			
3	171857-1103			
4	171857-1104			
5	171857-1105			
6	171857-1106			
7	171857-1107			
8	171857-1108			
9	171857-1109			
10	171857-1110			
11	171857-1111			
12	171857-1112			

GROUP:				
PLATING:				
MATING: (M)				
DIM. G:				
PC TAIL: (P)				
DIM T:				
PACKAGING:				
CKTS	MATERIAL NUMBER	CKTS	MATERIAL NUMBER	VOID CKT
2				
3				
4				
5				
6				
7				
8				
9				
10				
11				
12				

REV: A3	ECR/ECN INFORMATION: EC No.: UCP2015-1230 DATE: 10/14/2014	TITLE: KK RPC 100 RIGHT ANGLE HEADER ASSEMBLY, FRICTION LOCK	SHEET No. - 3 -
DOCUMENT NUMBER: SD - 171857 - 0001		CREATED / REVISED BY: MKIPPER	CHECKED BY: NNGUYEN
		APPROVED BY: FSMITH	

GROUP:	171857-3002/-3012			
PLATING:	197			
MATING: (M)	6.73 / .265			
DIM. G:	N/A			
PC TAIL: (P)	2.54 / .100			
DIM T:	OVERALL			
PACKAGING:	PK-171857-0001 TAPE AND REEL			
CKTS	MATERIAL NUMBER	CKTS	MATERIAL NUMBER	VOID CKT
2	171857-3002			
3	171857-3003			
4	171857-3004			
5	171857-3005			
6	171857-3006			
7	171857-3007			
8	171857-3008			
9	171857-3009			
10	171857-3010			
11	171857-3011			
12	171857-3012			

GROUP:	171857-4002/-4012			
PLATING:	208			
MATING: (M)	6.73 / .265			
DIM. G:	5.08 / .200			
PC TAIL: (P)	2.54 / .100			
DIM T:	3.43 / .135			
PACKAGING:	PK-171857-0001 TAPE AND REEL			
CKTS	MATERIAL NUMBER	CKTS	MATERIAL NUMBER	VOID CKT
2	171857-4002			
3	171857-4003			
4	171857-4004			
5	171857-4005			
6	171857-4006			
7	171857-4007			
8	171857-4008			
9	171857-4009			
10	171857-4010			
11	171857-4011			
12	171857-4012			

GROUP:				
PLATING:				
MATING: (M)				
DIM. G:				
PC TAIL: (P)				
DIM T:				
PACKAGING:				
CKTS	MATERIAL NUMBER	CKTS	MATERIAL NUMBER	VOID CKT
2				
3				
4				
5				
6				
7				
8				
9				
10				
11				
12				

REV: A3	ECR/ECN INFORMATION: EC No.: UCP2015-1230 DATE: 10/14/2014	TITLE: KK RPC 100 RIGHT ANGLE HEADER ASSEMBLY, FRICTION LOCK	SHEET No. - 4 -
DOCUMENT NUMBER: SD - 171857 - 0001		CREATED / REVISED BY: MKIPPER	CHECKED BY: NNGUYEN
		APPROVED BY: FSMITH	