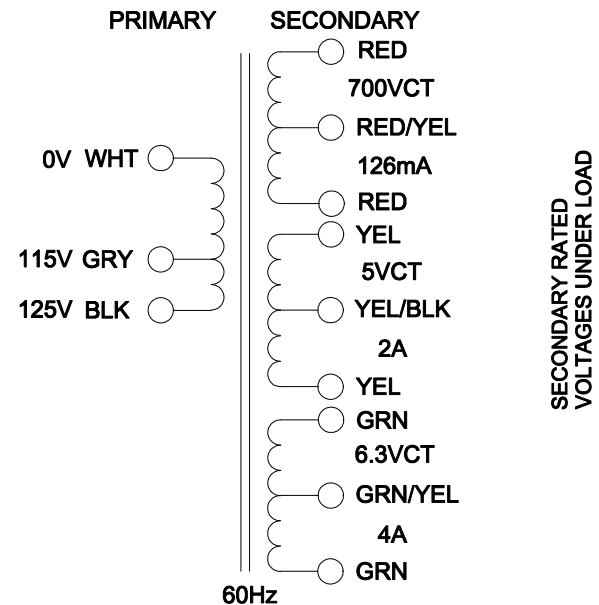
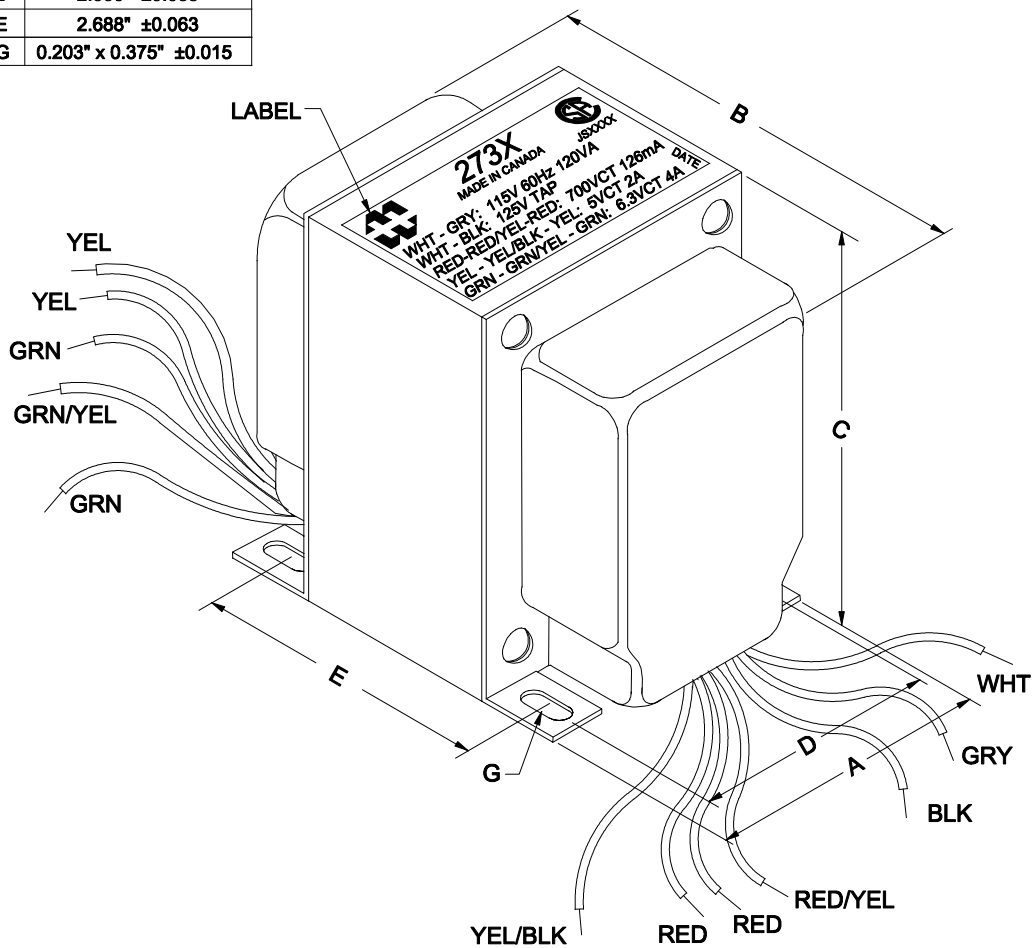


DIMENSIONS:	
A	2.500" ±0.063
B	3.685" ±0.125
C	3.060" ±0.063
D	2.000" ±0.063
E	2.688" ±0.063
G	0.203" x 0.375" ±0.015



ELECTRICAL DATA:		
TESTS	CONDITIONS	ACCEPTANCE CRITERIA
Iex	@ 125V, 60Hz, WHT - BLK	217.2mA Max.
Sec. N.L.V	@ 125V, 60Hz, WHT - BLK	
	RED - RED =	762.1V ±2%
	RED - RED/YEL = RED/YEL - RED =	381.0V ±2%
	YEL - YEL =	5.603V ±2%
	YEL - YEL/BLK = YEL/BLK - YEL =	2.802V ±2%
	GRN - GRN =	6.897V ±2%
	GRN - GRN/YEL = GRN/YEL - GRN =	3.448V ±2%
DCR	@ 20°C, WHT - BLK =	2.889 Ω ±20%
	@ 20°C, RED - RED =	170.4 Ω ±20%
	@ 20°C, YEL - YEL =	0.148 Ω ±20%
	@ 20°C, GRN - GRN =	0.054 Ω ±20%
HIPOT	PRIMARY - SECONDARY	2000V, 60Hz, 1 SEC

REV.#	REVISION	DATE	HAMMOND ELECTRONIC DIVISION		PH # (519) 886-6181 FAX # (519) 886-9540
0	RELEASED. C.I.	10/09/12	52 RANKIN PLACE, WATERLOO, ONTARIO, N2J 3Z5		
			DWG. BY: C. ILIE	CHK'D BY:	TITLE: POWER TRANSFORMER
			DATE: 10/09/12	APP'D. BY:	DWG. NO. 273X
				DIMENSIONS: IN(X) MM( )	