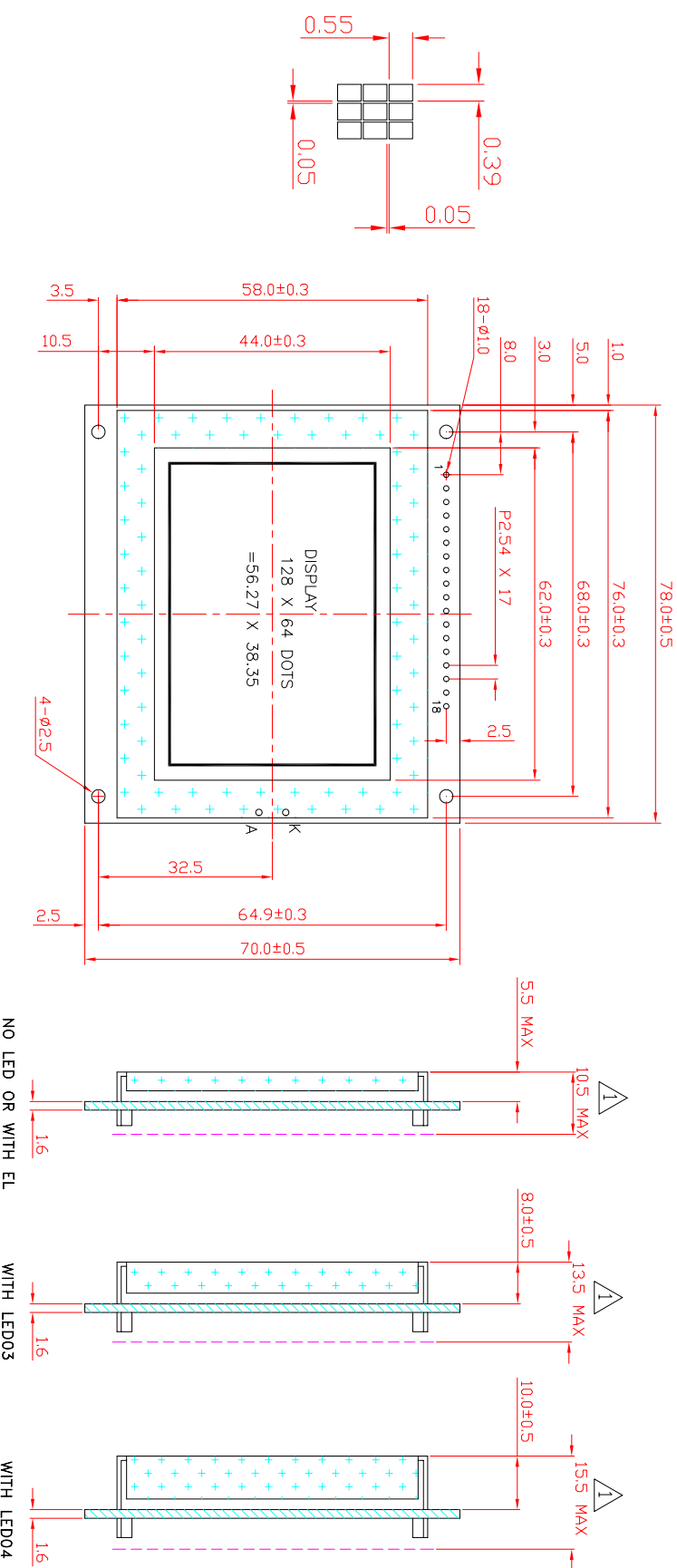
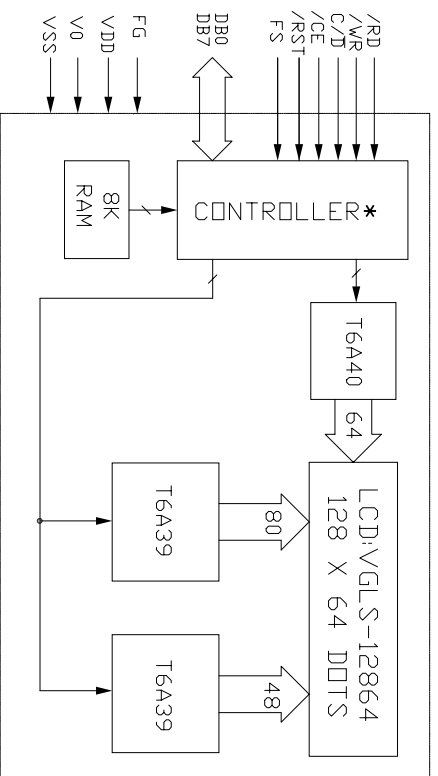


ISSUE	AMENDMENT	DATE
①	ADD NOTES UPDATE DIMENSION	02.01.22
②	ADD LED05	03.07.21



1	2	3	4	5	6	7	8	9	10	11	12	13	14	15	16	17	18
FG	VSS	VDD	V0	/WR	/RD	/CE	C/D	/RST	DB0	DB1	DB2	DB3	DB4	DB5	DB6	DB7	FS

NOTES:  
 ① SPECIAL CHARACTERISTIC  
 “+” SAFETY CHARACTERISTIC  
 “<” REFERENCE ONLY  
 “▽” CRITICAL DIMENSION

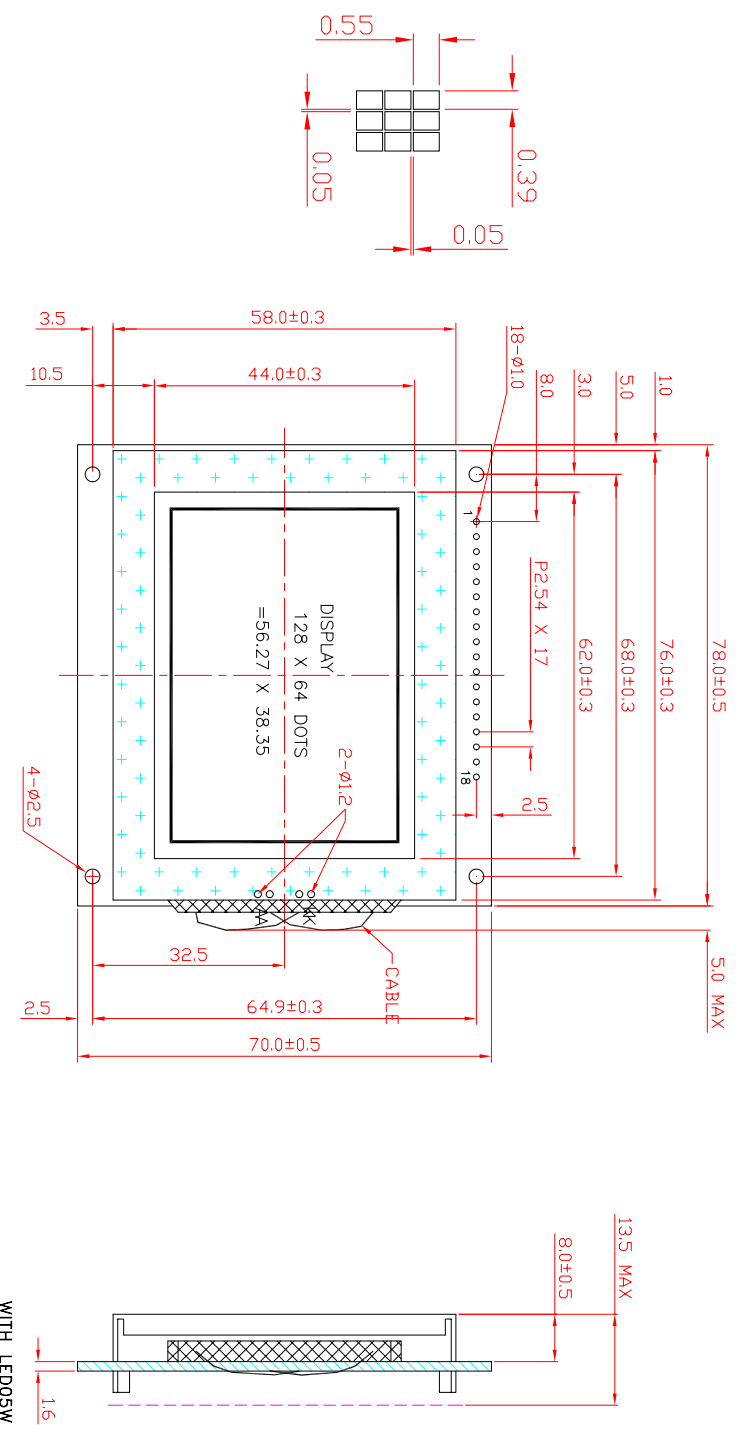


\* T6963C OR EQUIVALENT

**VE** VARRITRONIX LIMITED

<b>TITLE: SPECIFICATION OF MODULE</b>			
<b>PROJECT NO: MGLS-12864T</b>			
TOLERANCE UNLESS OTHERWISE SPECIFIED:		X.X ±0.3	
DIMENSIONS IN MM		X.XX ±0.1	
MATERIAL:		FINISH:	
SCALE: DO NOT ON SCALE THICKNESS:			
THIRD ANGLE PROJECTION			
DRAWN	NAME	SIGN	DATE
CHECKED	LUO XIAN GANG		03.07.21
APPROVED	ZHOU CHUN HUA		
	CHARM		
<b>ITEM NO. MGLS12864T-XX</b>			
<b>DESCRIPTION: MGLS-12864T</b>			
<b>FILE NO: MGLS-12864T-XX R2.DWG/REV 2</b>			
<b>SHEET 1 OF 2</b>			

ISSUE	AMENDMENT	DATE
1	ADD NOTES UPDATE DIMENSION	02.01.22
2	ADD LED05	03.07.21



1	2	3	4	5	6	7	8	9	10	11	12	13	14	15	16	17	18
FG	VSS	VDD	V0	/WR	/RD	/CE	C/D	/RST	DB0	DB1	DB2	DB3	DB4	DB5	DB6	DB7	FS

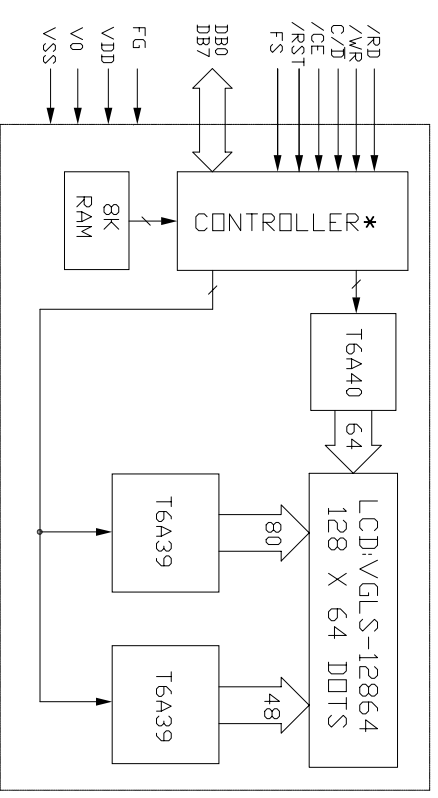
NOTES:

1. SPECIAL CHARACTERISTIC

2. SAFETY CHARACTERISTIC

3. REFERENCE ONLY

4. CRITICAL DIMENSION



\* T6963C OR EQUIVALENT

<b>TITLE: SPECIFICATION OF MODULE</b>			
<b>PROJECT NO: MGLS-12864T</b>			
TOLERANCE UNLESS OTHERWISE SPECIFIED:		X.X ±0.3	
DIMENSIONS IN MM		X.XX ±0.1	
MATERIAL:		FINISH:	
SCALE: DO NOT ON SCALE			
THIRD ANGLE PROJECTION			
DRAWN	NAME	SIGN	DATE
CHECKED	LUO XIAN GANG		03.07.21
APPROVED	ZHOU CHUN HUA		
	CHARM		
<b>ITEM NO. MGLS12864T-XX</b>			
<b>DESCRIPTION: MGLS-12864T</b>			
<b>FILE NO: MGLS-12864T-XX R2.DWG/REV 2</b>			
<b>SHEET 2 OF 2</b>			

**VARITRONIX LIMITED**