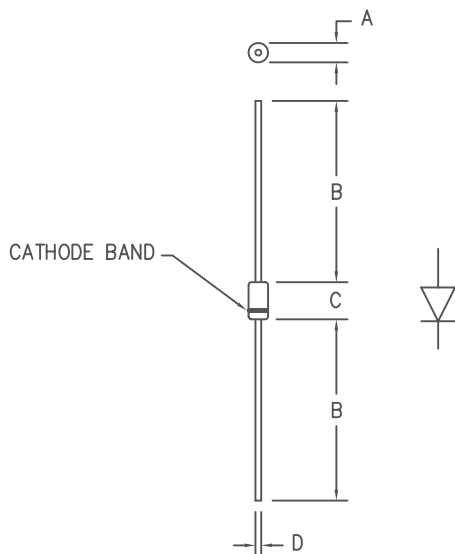


# 1 Amp Schottky Rectifier MSG104 — MSG106



Dim.	Inches		Millimeter		Notes
	Minimum	Maximum	Minimum	Maximum	
A	.081	.107	2.057	2.718	Dia.
B	1.10	---	27.94	---	
C	.160	.205	4.064	5.207	
D	.028	.034	.711	.864	Dia.

GLASS HERMETIC D041

Microsemi Catalog Number	Working Peak Reverse Voltage	Repetitive Peak Reverse Voltage
MSG104	40V	40V
MSG105	50V	50V
MSG106	60V	60V

- Schottky Barrier Rectifier
- Guard Ring Protection
- 175°C Junction Temperature
- VRRM 40 to 60 Volts
- Hermetic Package

Electrical Characteristics		
Average forward current	I <sub>F(AV)</sub> 1.0 Amps	T <sub>L</sub> = 140°C Square wave
Maximum surge current	I <sub>FSM</sub> 75 Amps	8.3ms, half sine, T <sub>J</sub> = 175°C
Max peak forward voltage	V <sub>FM</sub> .69 Volts	I <sub>FM</sub> = 1.0A; T <sub>J</sub> = 25°C*
Max peak reverse current	I <sub>RM</sub> 100 μA	V <sub>RRM, T<sub>J</sub></sub> = 25°C
Typical junction capacitance	C <sub>J</sub> 53pF	V <sub>R</sub> = 5.0V, T <sub>J</sub> = 25°C
*Pulse test: Pulse width 300 μsec, Duty cycle 2%		

Thermal and Mechanical		
Storage temperature range	T <sub>STG</sub>	-65°C to 175°C
Operating junction temp range	T <sub>J</sub>	-65°C to 175°C
Maximum thermal resistance	L = 1/4" R <sub>θJL</sub>	30°C/W Junction to Lead
Weight		.012 ounces (0.38 grams) typical



8700 East Thomas Road, P.O. Box 1390  
Scottsdale, AZ 85252  
PH: (480) 941-6300  
FAX: (480) 947-1503  
www.microsemi.com

05-25-07 Rev. 3

# MSG104 — MSG106

Figure 1  
Typical Forward Characteristics

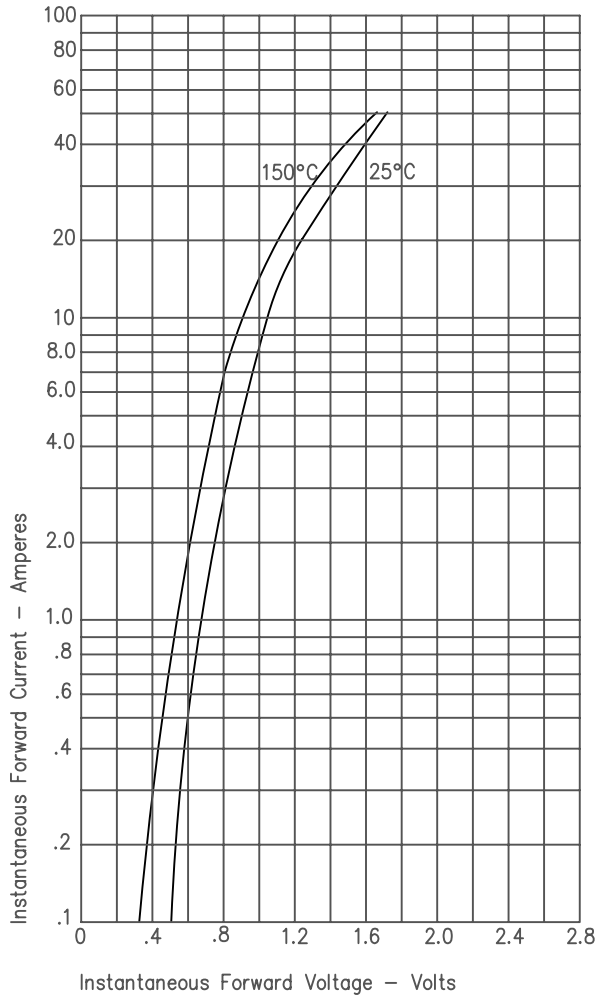


Figure 3  
Typical Junction Capacitance

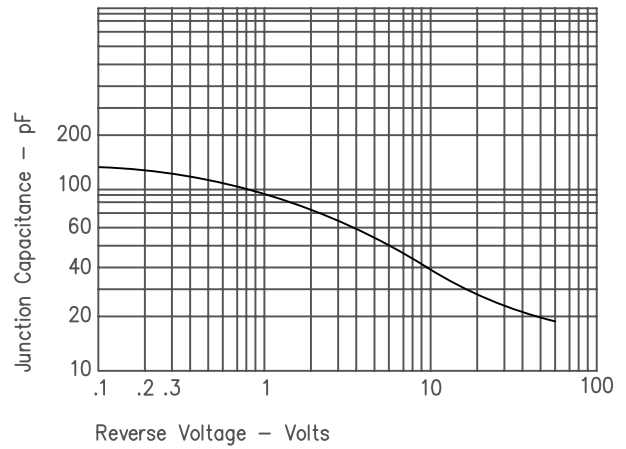


Figure 2  
Typical Reverse Characteristics

