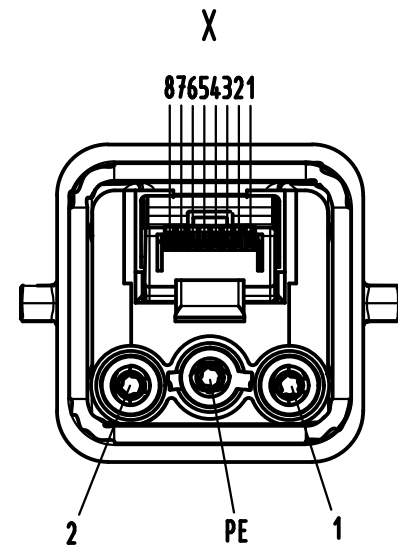
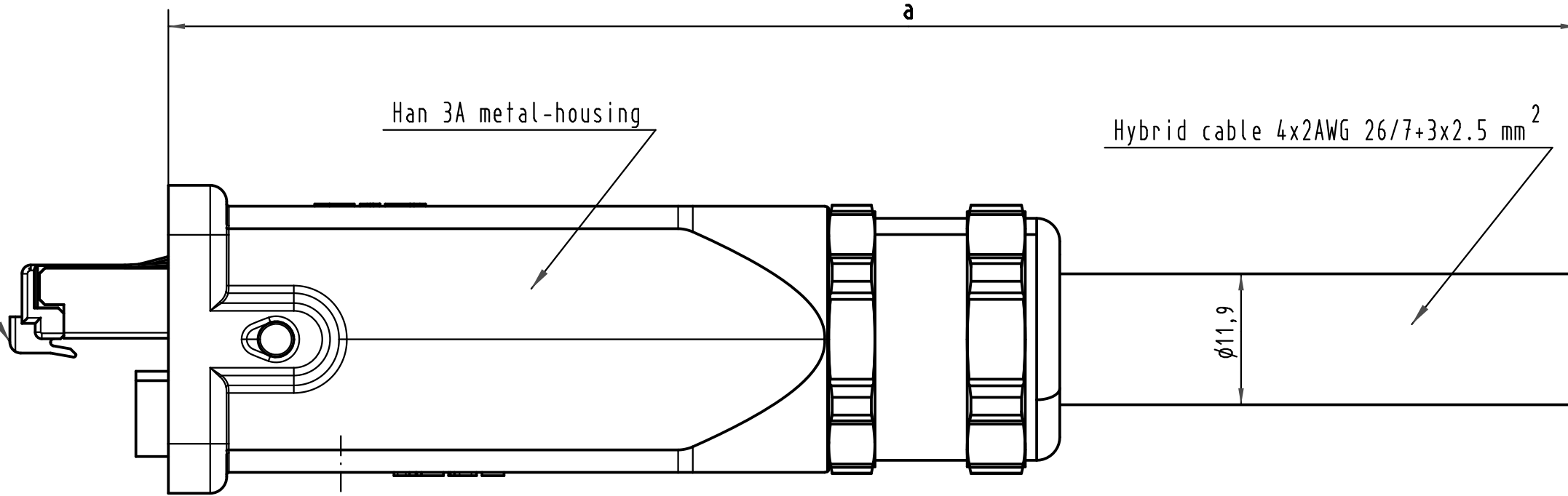


Alle Rechte vorbehalten/ All rights reserved

Mating face RJ45 according to IEC 60603-7



Loading-Plan (Data)

- Shield
- 1 White/green
- 2 Green
- 3 White/orange
- 4 Blue
- 5 White/blue
- 6 Orange
- 7 White/brown
- 8 Brown

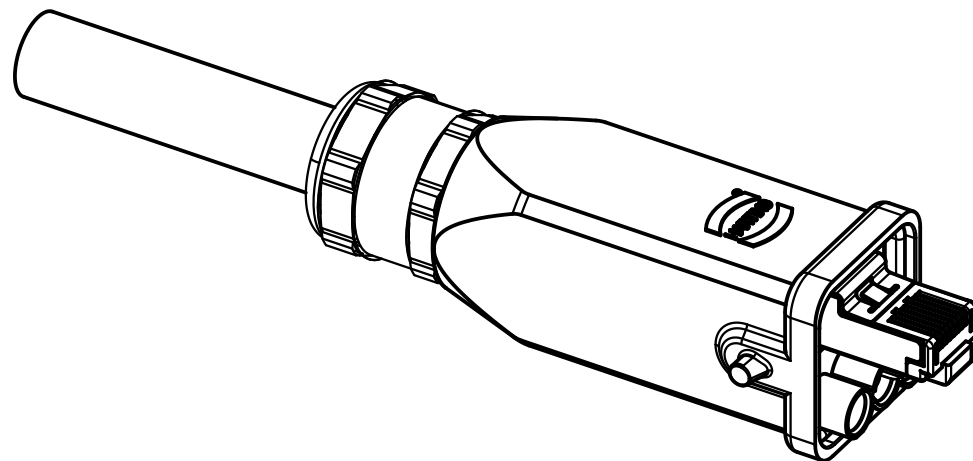
Loading-Plan DC version

- 1 black
- 2 blue
- PE green/yellow
- PE

-Protection level: IP67  
 -Temperature range: -20°C ...+70°C

Data Part  
 -Transmission properties in accordance with ISO/IEC 11801:2002: Class D.

???????R??



7	Hybrid cable 4x2AWG26/7+3x2,5 mm <sup>2</sup>	DC	33 57 111 080 0001	80 m
6	Hybrid cable 4x2AWG26/7+3x2,5 mm <sup>2</sup>	DC	33 57 111 060 0002	60 m
5	Hybrid cable 4x2AWG26/7+3x2,5 mm <sup>2</sup>	DC	33 57 111 040 0001	40 m
4	Hybrid cable 4x2AWG26/7+3x2,5 mm <sup>2</sup>	DC	33 57 111 020 0001	20 m
3	Hybrid cable 4x2AWG26/7+3x2,5 mm <sup>2</sup>	DC	33 57 111 010 0001	10 m
2	Hybrid cable 4x2AWG26/7+3x2,5 mm <sup>2</sup>	DC	33 57 111 005 0001	5 m
1	Hybrid cable 4x2AWG26/7+3x2,5 mm <sup>2</sup>	DC	33 57 111 001 0001	1 m

Cont No.	Type of cable	Part-No.	Dim. a
----------	---------------	----------	--------

All Dimensions in mm Original Size DIN A 3			Nicht tol. Maße/ Free size tol. Oberflächete/ Surface qual.			Ref. MB Mat.		
			Oberflächenschutz/ Coating					
			V= cm <sup>3</sup> A= mm <sup>2</sup>					
			Dat.			Name		
			Detail.			MS		
			Insp.			RA		
			Stand.			2:1		
DRS648A			03.12.09			MS		
35035			10.11.08			MS		
34553								
Mod.			Dat.			Name		
HARTING Electronics GmbH & Co. KG D-32339 Espelkamp								
						Hybrid cable assembly, 4x2AWG26/7+3x2,5 mm <sup>2</sup> HAN3A, DC		
						TB 33 57 111 xxx 0001		
						Sub.		