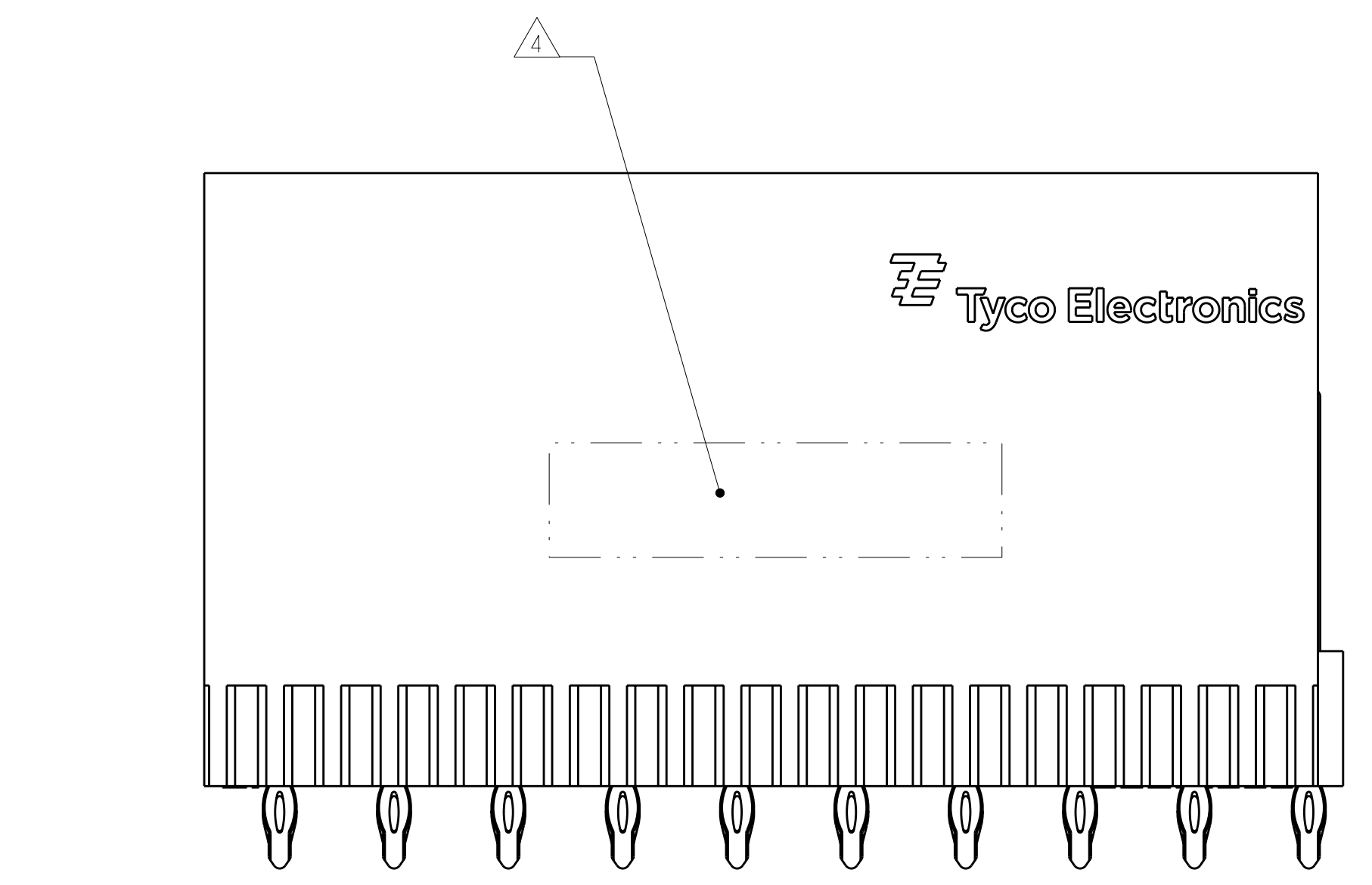
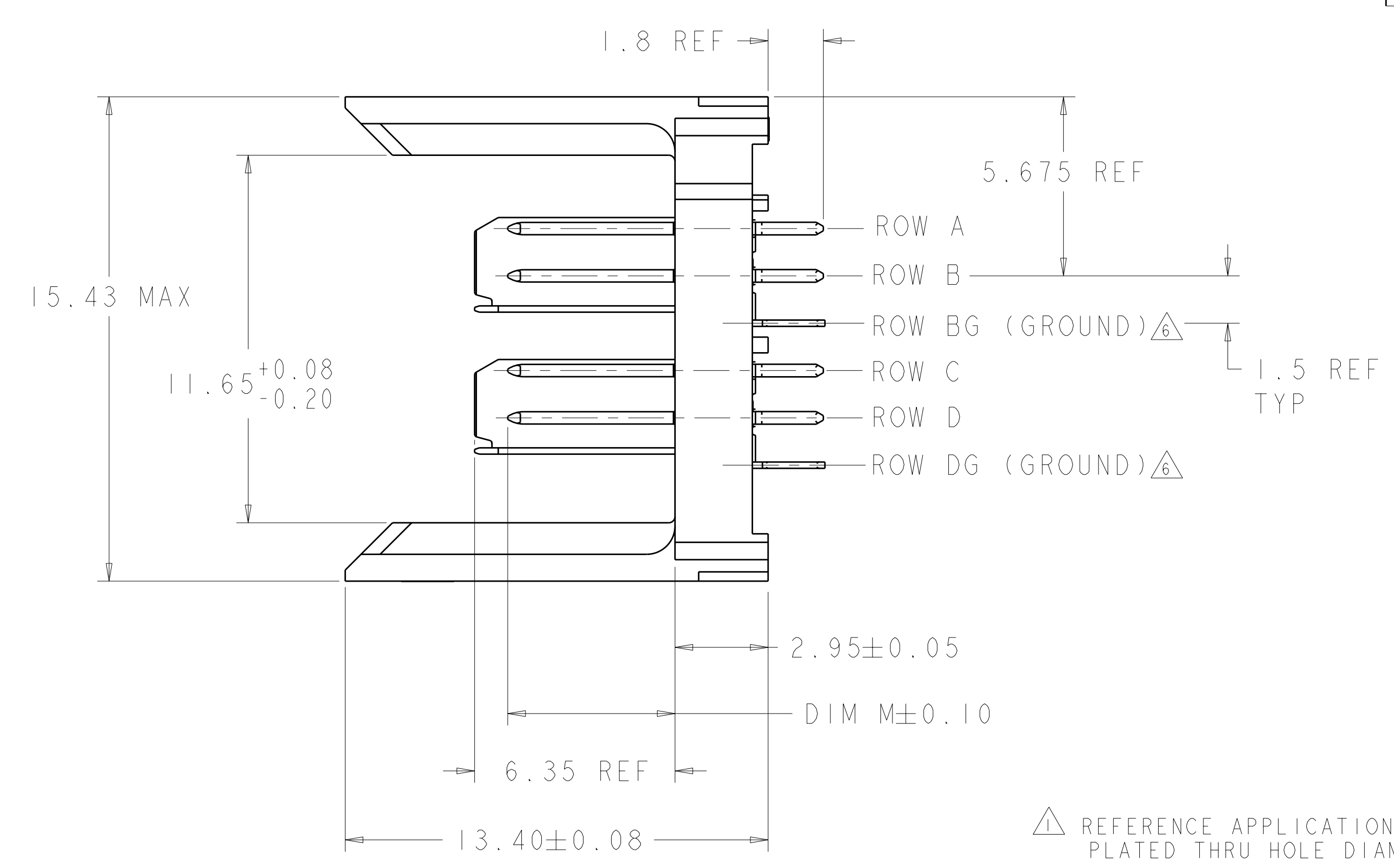
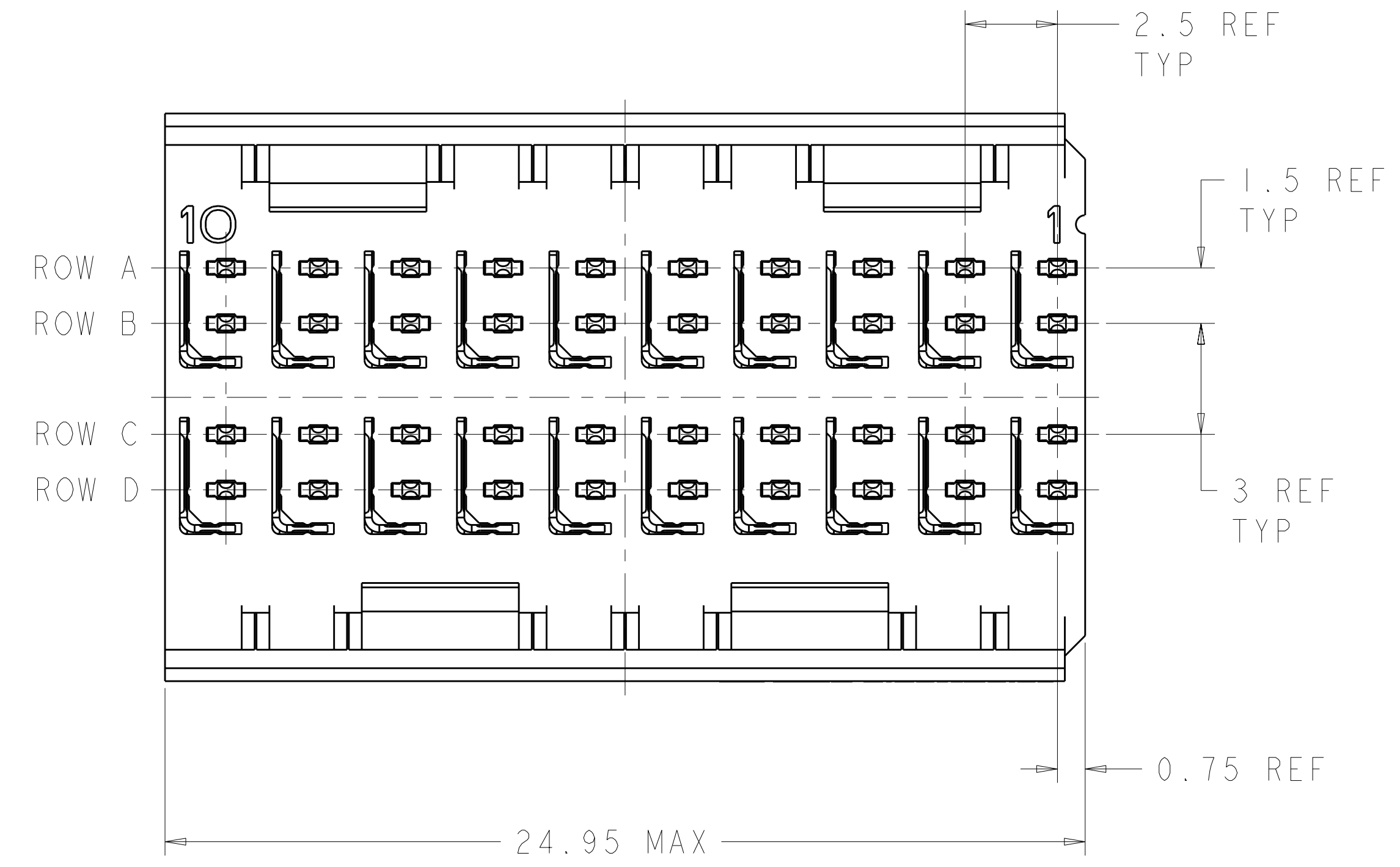
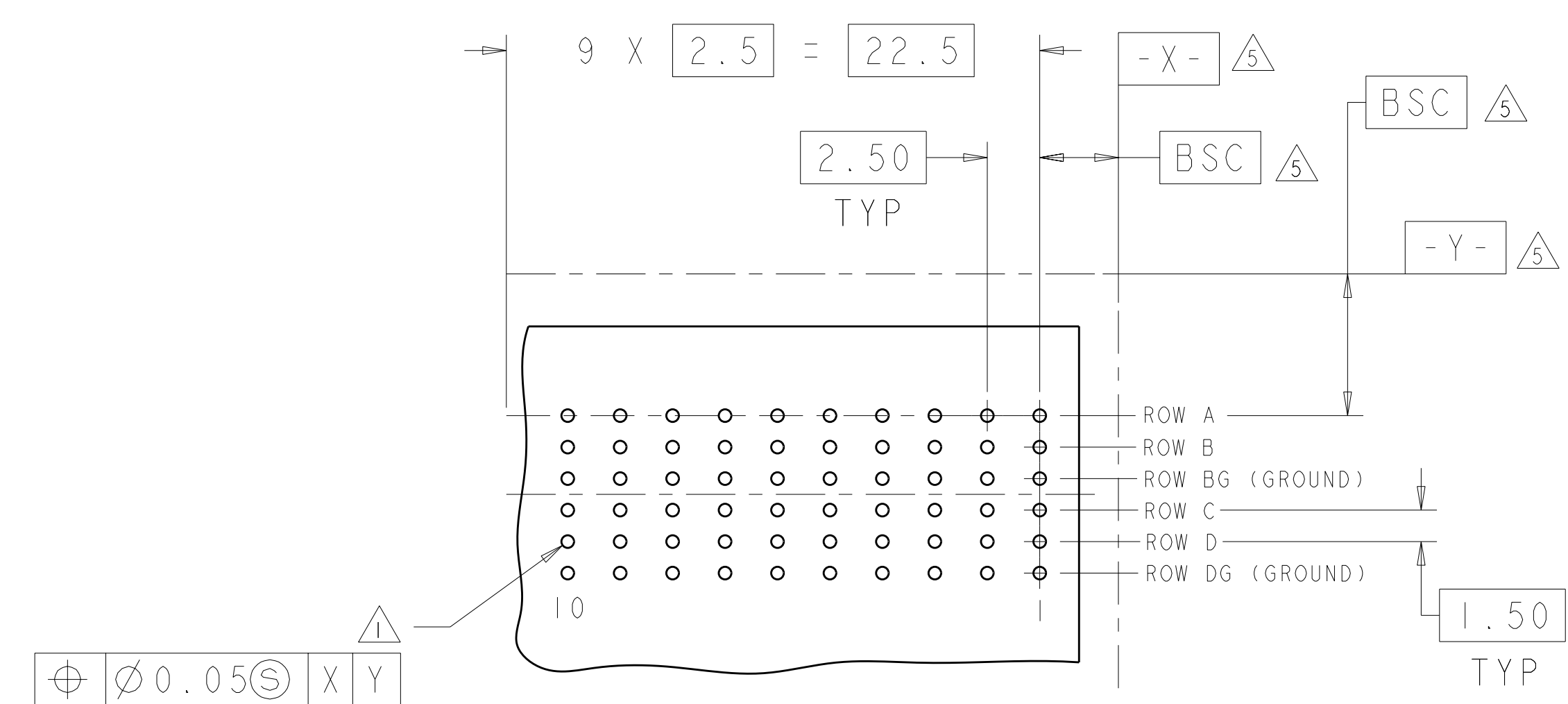


LOC	DIST	REV	DATE	BY	CHK	APPD
AD	00	B	17JAN12	KH	DY	



**Tyco Electronics**

- △ REFERENCE APPLICATION SPEC 114-13059 FOR RECOMMENDED PLATED THRU HOLE DIAMETER AND PLATING THICKNESSES.
  - △ MATERIAL:  
CONTACT AND SHIELD - PHOSPHOR BRONZE  
HOUSING - GLASS FILLED POLYESTER. UL 94V-0.
  - △ FINISH: SIGNAL AND GROUND CONTACTS:  
MATING AREA: MEETS THE PERFORMANCE REQUIREMENTS OF PRODUCT SPECIFICATION 108-2055; BASED ON TELCORDIA GR-1217-CORE, APPLICATIONS IN UNCONTROLLED ENVIRONMENTS  
COMPLIANT PIN AREA: 0.5 μm MIN MATTE TIN OVER BASE PLATING
  - △ CONNECTOR MARKED WITH PART NUMBER AND DATE CODE.
  - △ DATUMS AND BASIC DIMENSIONS ESTABLISHED BY CUSTOMER.
  - △ THE TWO GROUNDS IN EACH COLUMN ARE COMMONED.
7. CONTACT AREA LUBRICATED WITH BELLCORE APPROVED LUBRICANT. TECHNICAL REFERENCE: GR-1217-CORE, ISSUE 1, NOVEMBER 1995.



⊕ ∅0.05 ⊕ X Y  
 ALL PLATED THRU HOLES

RECOMMENDED PC BOARD LAYOUT, BACKPLANE, COMPONENT SIDE SHOWN  
 SCALE 4:1

3.80	6469076-2
5.30	6469076-1
DIM M	PART NUMBER

THIS DRAWING IS A CONTROLLED DOCUMENT.		DWN: S. J. MAGARO 28JUN2004	<b>STE</b> TE Connectivity
DIMENSIONS: mm		CHK: R. A. PATTERSON 28JUN2004	
TOLERANCES UNLESS OTHERWISE SPECIFIED:		APPD: R. PATTERSON 17AUG2007	NAME: HEADER ASSEMBLY, 2 PAIR, 1.8mm TAIL, 25mm, HMZd
9 PLC ±		PRODUCT SPEC	
1 PLC ±		APPLICATION SPEC	SIZE: CAGE CODE: DRAWING NO: A100779C=6469076
2 PLC ±		RESTRICTED TO	SCALE: 8:1 SHEET 1 OF 1 REV B
3 PLC ±			
4 PLC ±			
ANGLES ±			
FINISH ±			
MATERIAL: △			
FINISH: △			
CUSTOMER DRAWING			