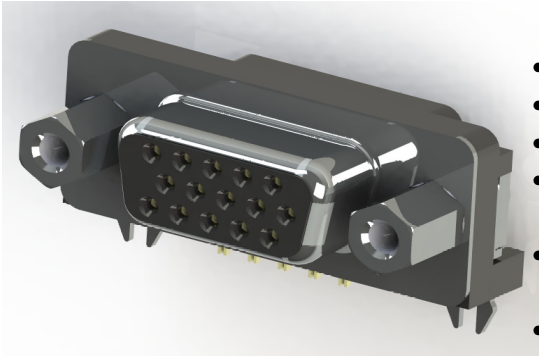




# SERIES 631/632: HD D-SUB CONNECTOR

Plug and Receptacle, Right Angle, High Density .125"(3.175mm) Footprint

- High Density Three Contact Rows with .125"(3.175mm) Footprint Right Angle Bend
- .090"(2.29mm) Contact Spacing X .079"(1.905mm) Row Spacing
- Plug and Receptacle in 15 or 26 Contact Sizes
- Pin and Socket Contact Mating Design with P.C. Tail Termination
- Metal Shell Provides EMI/RFI Shielding, Plug Shell Indents provide Grounding and Additional Mating Retention
- Grounding Features include Two or Four Prong Boardlock for Exceptional Retention to P.C. Board
- Mounting Options for Panel Mount or Connector Mating include Threaded Inserts and Threaded Standoffs
- D-Shaped Connector Mating Outline provides Polarization
- Design based on Requirements of MIL-C-24038, EIA RS-232 and RS-449

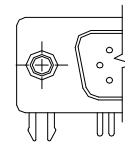


## Specifications:

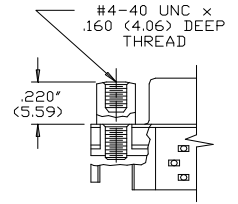
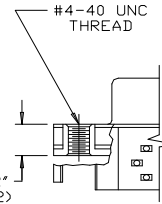
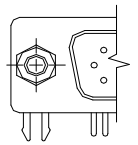
Insulator Material	Thermoplastic Polyester, UL 94V-0, Chemical Resistant, Color: Black
Contact Material	Plug (Pins): Brass Receptacle (Socket): Brass or Phosphor Bronze
Contact Plating	Selective Gold (See Ordering Code) over Nickel for the Mating Area, Tin Plating for Tail Area
Shell Material	Nickel Plated Steel
Current Rating	3A Per Contact
Contact Resistance	10 Milliohms MAX
Insulation Resistance	5000 Megohms MIN
Dielectric Voltage	1000V AC rms at Sea Level
Operating Temp.	-55°C To +105°C
Mating and Unmating Force	1oz To 10oz (0.28N To 2.78N) Per Contact Position

## MOUNTING OPTIONS

CODE 2  
THREADED INSERT



CODE 3  
THREADED STANDOFF



## Ordering Code:

632-015-266-033

### SERIES:

631: PLUG (PIN)  
632: RECEPTACLE (SOCKET)

### NO. OF CONTACTS:

015 - 15 CONTACTS  
026 - 26 CONTACTS

### CONTACT FINISH CODE:

2 - GOLD FLASH PLATING  
3 - 15 MICROINCHES OF GOLD PLATING  
6 - 30 MICROINCHES OF GOLD PLATING

### CONTACT CODE:

66 - .125" FOOTPRINT POWER CONTACT

### MOUNTING OPTIONS:

2 - 4-40 UNC THREADED INSERT  
4 - 4-40 UNC HEX THREADED STANDOFF  
(WITH THREADED INSERT)

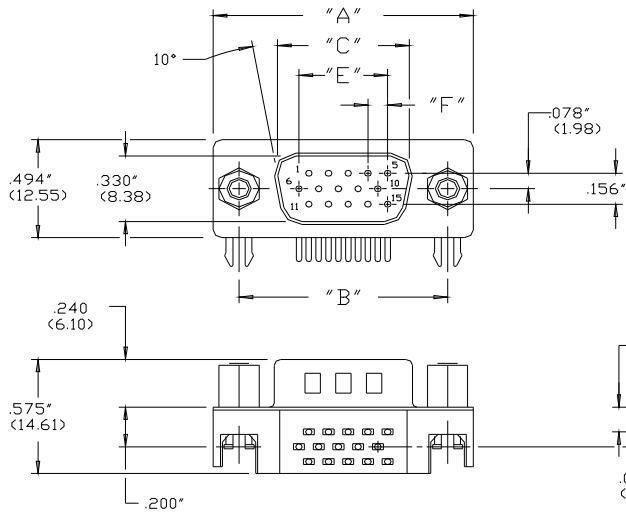
### GROUNDING FEATURE:

3 - TWO PRONG BOARDLOCKS FOR Ø.120"(Ø3.05MM) HOLE  
4 - FOUR PRONG BOARDLOCKS FOR Ø.120"(Ø3.05MM) HOLE



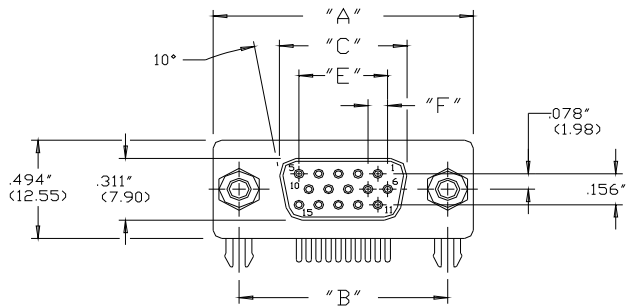
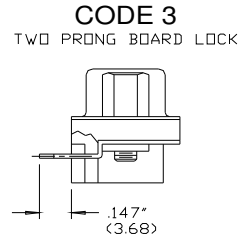
# SERIES 631/632: HD D-SUB CONNECTOR

Plug and Receptacle, Right Angle, High Density .125"(3.175mm) Footprint

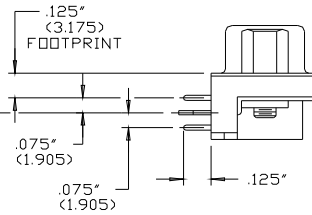


**PLUG  
631 SERIES**

## GROUNDING FEATURES

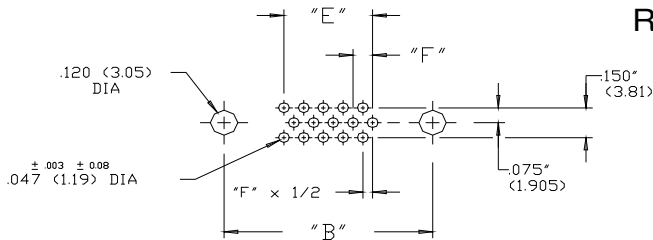


**RECEPTACLE  
632 SERIES**



## RECOMMENDED BOARD HOLE PATTERN

ILLUSTRATED FOR RECEPTACLE  
USE MIRROR IMAGE FOR PLUG



NUMBER OF CONTACTS	A		B		C PLUG		C RECEPTACLE		E		F	
	Inch	(mm)	Inch	(mm)	Inch	(mm)	Inch	(mm)	Inch	(mm)	Inch	(mm)
15	1.214	(30.84)	.984	(24.99)	.667	(16.92)	.640	(16.26)	.405	(10.29)	.090	(2.29)
26	1.545	(39.24)	1.312	(33.32)	.994	(25.25)	.967	(24.56)	.765	(19.43)	.090	(2.29)