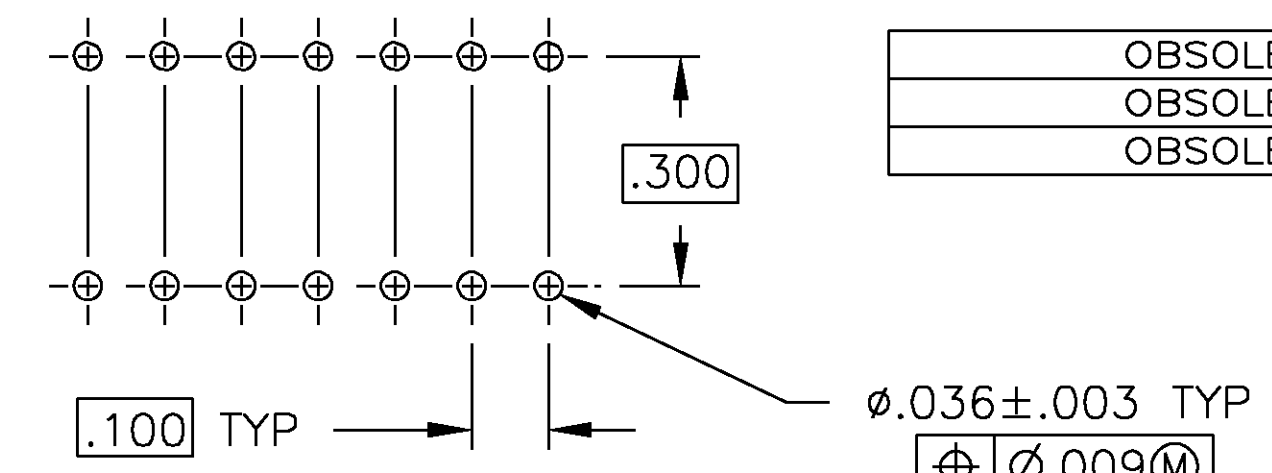
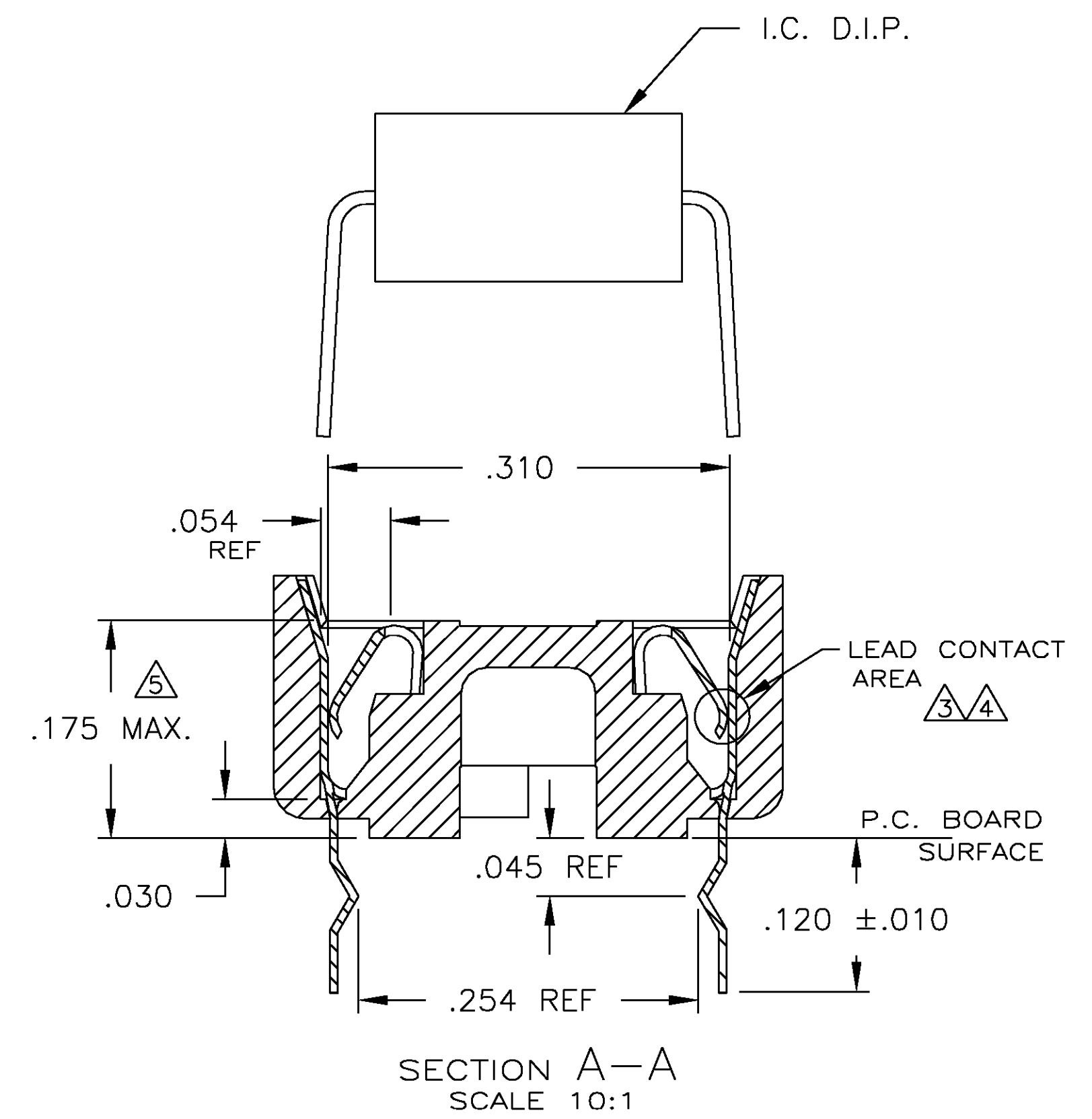
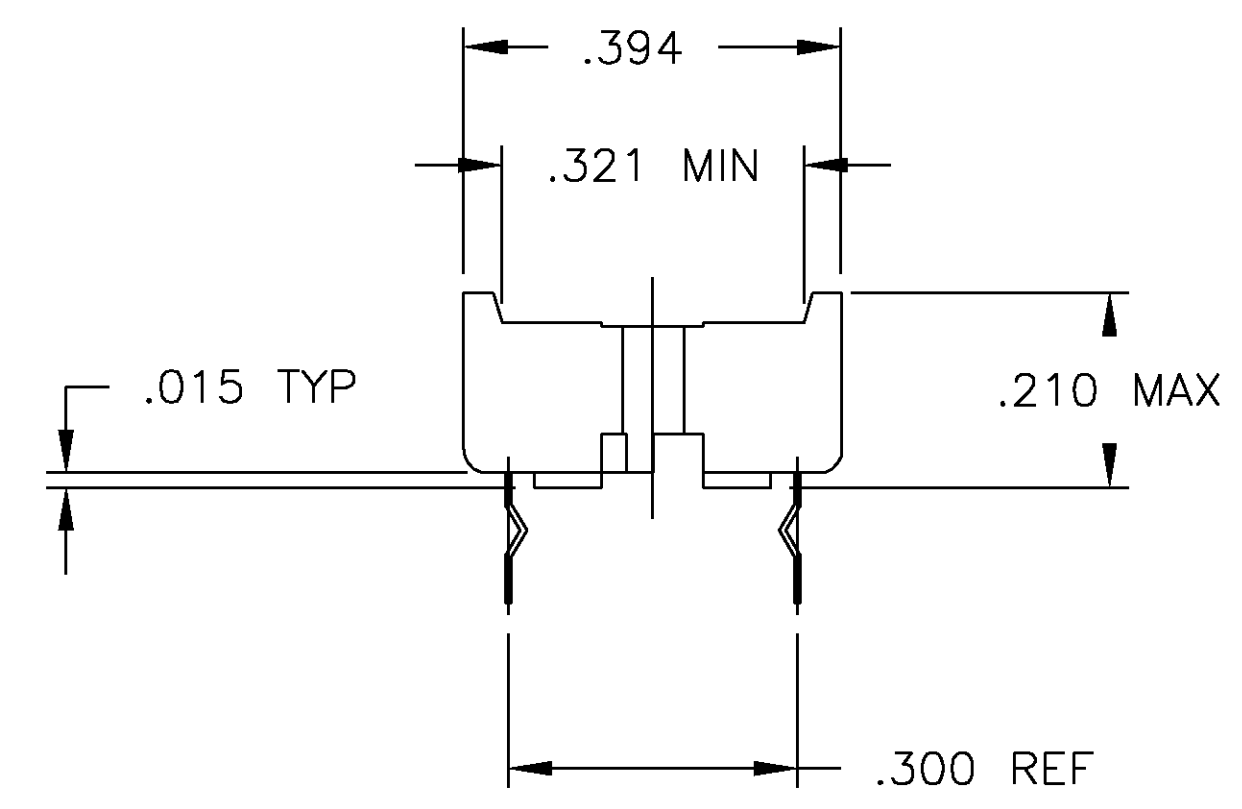
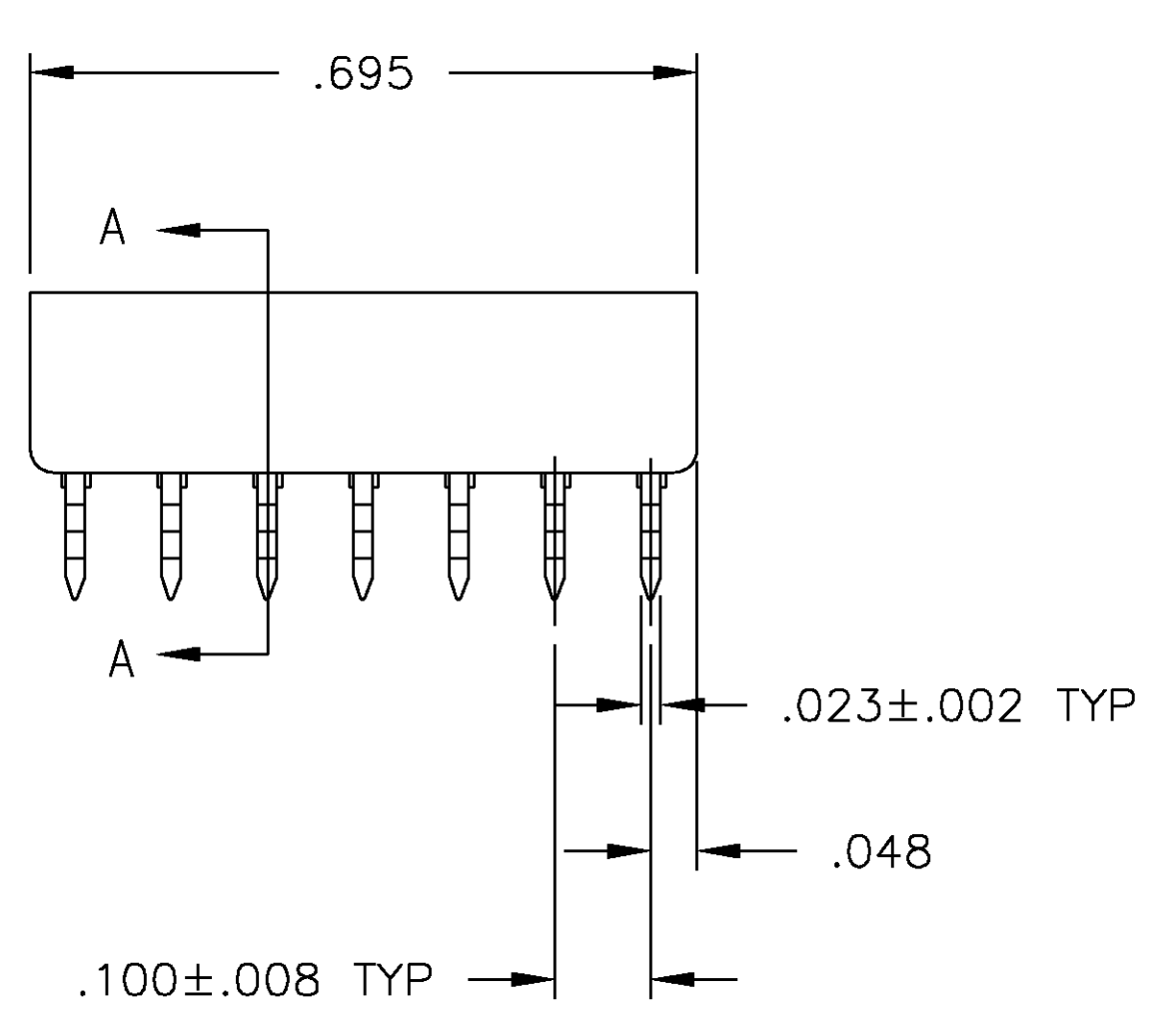
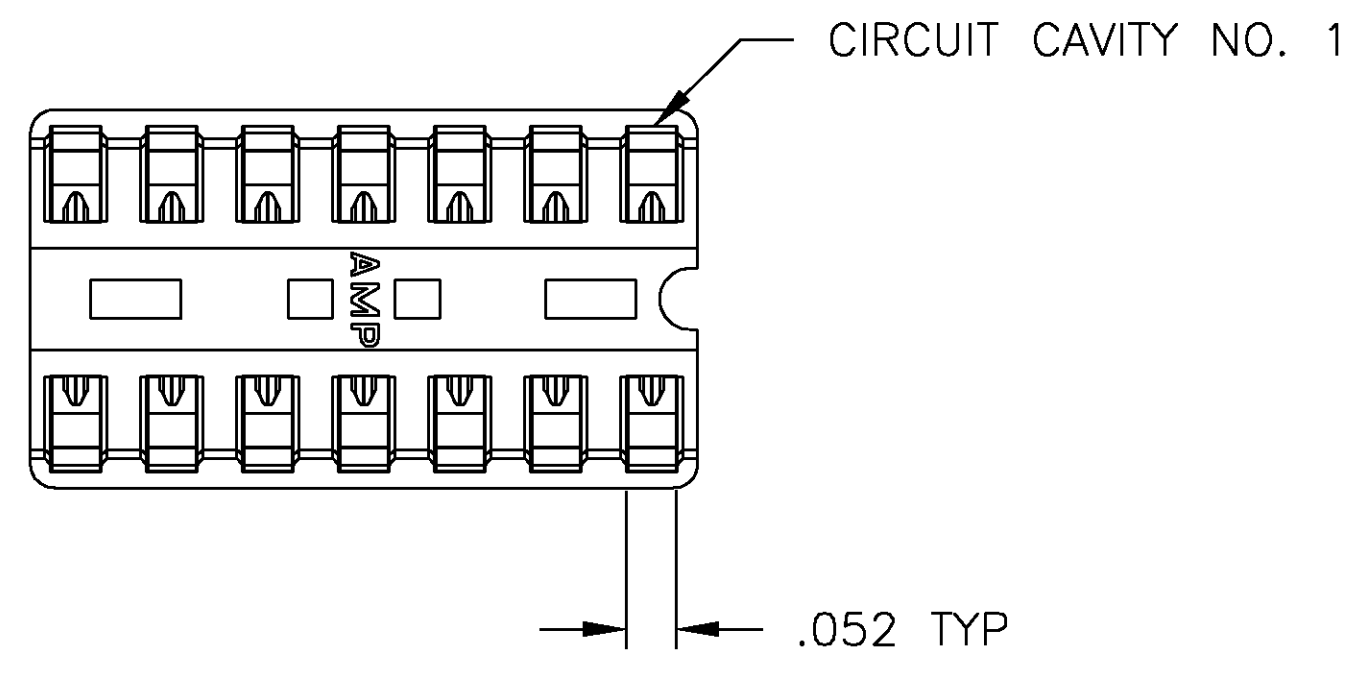


- RECEPTACLE ACCEPTS A .008-.014 THICK I.C. LEAD.
- TUBE LOADED.
- TWO .000030 MIN THK. GOLD STRIPES IN CONTACT AREA WITH TIN-LEAD (93/7) ON CONTACT LEGS, BALANCE OF CONTACT NICKEL PLATED.
- TWO .000015 MIN THK. GOLD STRIPES IN CONTACT AREA WITH TIN-LEAD (93/7) ON CONTACT LEGS, BALANCE OF CONTACT NICKEL PLATED.
- MAXIMUM DIMENSION FOR I.C. SEATING PLANE.



RECOMMENDED MOUNTING HOLE PATTERN
SCALE 4:1

OBSOLETE		PHOS.BRZ. .006 THK	GLASS-FILLED THERMOPLASTIC, 94V-O, BLACK	2-641261-4
OBSOLETE	TINNED	PHOS.BRZ. .006 THK	GLASS-FILLED THERMOPLASTIC, 94V-O, BLACK	2-641261-3
OBSOLETE		BE.CU. .006 THK	GLASS-FILLED THERMOPLASTIC, 94V-O, BLACK	2-641261-2
	TINNED	BE.CU. .006 THK	GLASS-FILLED THERMOPLASTIC, 94V-O, BLACK	2-641261-1
CONTACT FINISH		CONTACT MAT'L	HOUSING MATERIAL	PART NO.

THIS DRAWING IS A CONTROLLED DOCUMENT.

DIMENSIONS: INCHES	TOLERANCES UNLESS OTHERWISE SPECIFIED:	DWG: R BROWN	09JAN01	24AUG00
0 PLC ± -	1 PLC ± -	APVD: H WYNKOOP	24AUG00	NAME: H WYNKOOP
2 PLC ± -	3 PLC ± .005	PRODUCT SPEC: 108-1066		SOCKET ASSY, DIP, RET LEG, 14 POS, DIPLOMATE™ DL
4 PLC ± -	ANGLES ± -	APPLICATION SPEC: 114-1049		
MATERIAL: SEE TABLE	FINISH: SEE TABLE	WEIGHT: -	SIZE: A1	CAGE CODE: 00779
		DRAWING NO: 641261		RESTRICTED TO: -
		CUSTOMER DRAWING		SCALE: 5:1 SHEET: 1 OF 1 REV: R

AMP Tyco Electronics Corporation
Harrisburg, PA 17105