

4

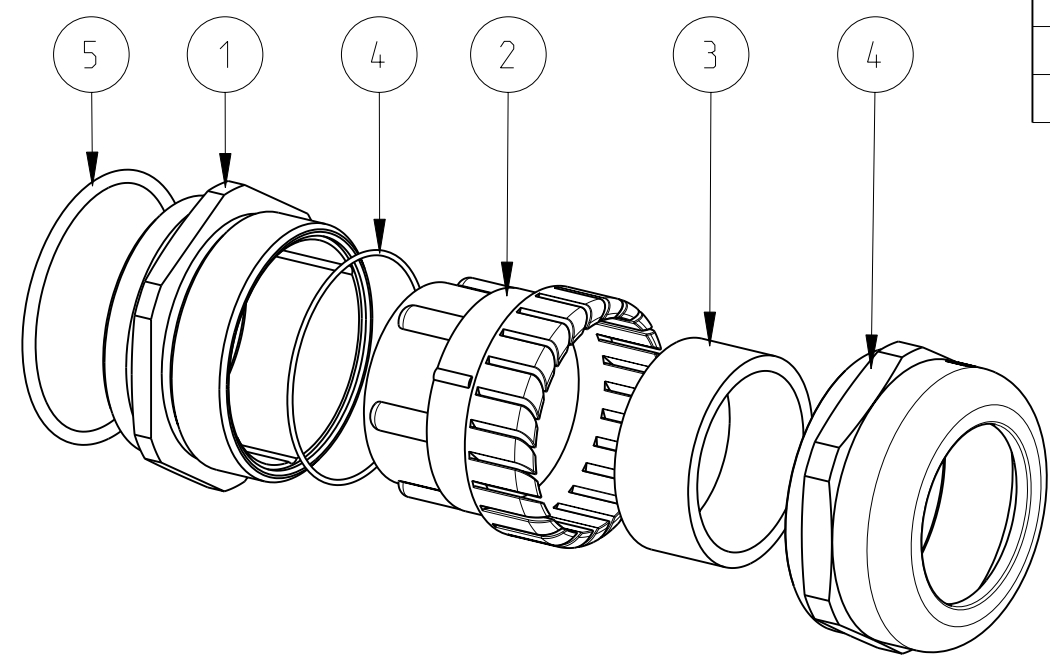
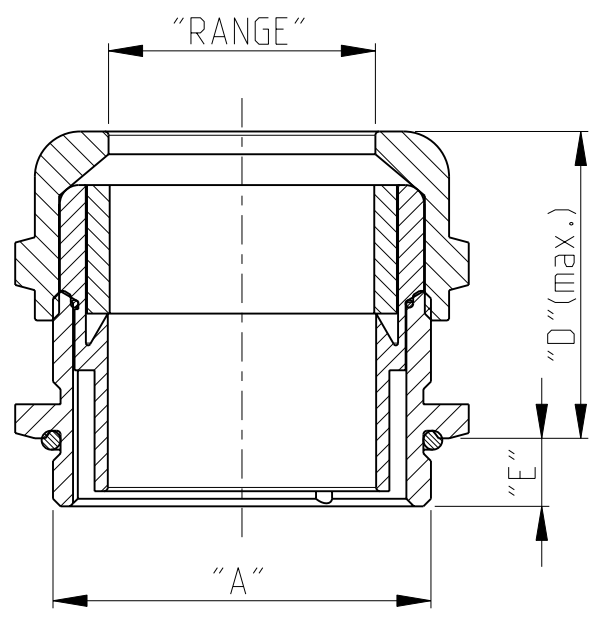
3

2

1

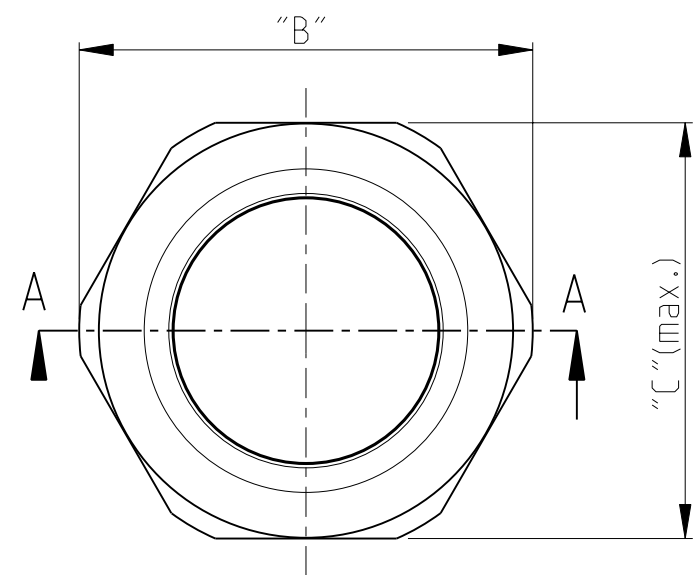
THIS DRAWING IS UNPUBLISHED. RELEASED FOR PUBLICATION 2006
© COPYRIGHT 2006 ALL RIGHTS RESERVED.

LOC	DIST	REVISIONS					
A1	-	P	LTR	DESCRIPTION	DATE	DWN	APVD
			A3	REVISED PER ECO-11-008493	22APR2011	HMR	MM



Notes

- MATERIALS:
BASE HOUSING & PRESSURE SCREW: BRASS, NICKEL PLATED
SEALINGS: NBR, BLACK
INSERT: PA
- STANDARDS:
DIN EN 50262



PART NO.	DESCRIPTION	MATERIAL	SURFACE COLOR	"A"	"B"	"C"	"D"	"RANGE"	WEIGHT [kg]	ITEM
5-0	PRESSURE NUT	BRASS	NICKEL PLATED	M50x1.5	SW 55	Ø60	40.0	Ø32-38	0.275	6
4-0	O-RING	NBR	BLACK	M40x1.5	SW 43	Ø46	34.0	Ø22-32	0.124	5
3-2	O-RING	NBR	BLACK	M32x1.5	SW 34	Ø36	30.0	Ø18-25	0.075	4
2-5	SEALING INSERT	NBR	BLACK	M25x1.5	SW 27	Ø30	27.0	Ø13-18	0.045	3
2-0	PRESSURE INSERT	PA	GREY	M20x1.5	SW 22	Ø24	27.0	Ø6-12	0.032	2
1-6	DOUBLE NIPPLE	BRASS	NICKEL PLATED	M16x1.5	SW 16	Ø19	25.0	Ø5-10	0.019	1

THIS DRAWING IS A CONTROLLED DOCUMENT.

DWN: H.BRAUN 20DEC2006
CHK: -
APVD: T.SCHNURPFEL 20DEC2006
PRODUCT SPEC: -
APPLICATION SPEC: -
WEIGHT: -

STE TE Connectivity

NAME: ASS'Y CABLE GLAND SERIES HUT-MS, METRIC

SIZE: A3 CAGE CODE: 00779 DRAWING NO: C-1102770 RESTRICTED TO: -

CUSTOMER DRAWING SCALE: 1:1 SHEET: 1 OF 1 REV: A3

DIMENSIONS:		TOLERANCES UNLESS OTHERWISE SPECIFIED:	
mm			
0 PLC	±	0 PLC	±
1 PLC	±	1 PLC	±
2 PLC	±	2 PLC	±
3 PLC	±	3 PLC	±
4 PLC	±	4 PLC	±
ANGLES	±1°	FINISH	-