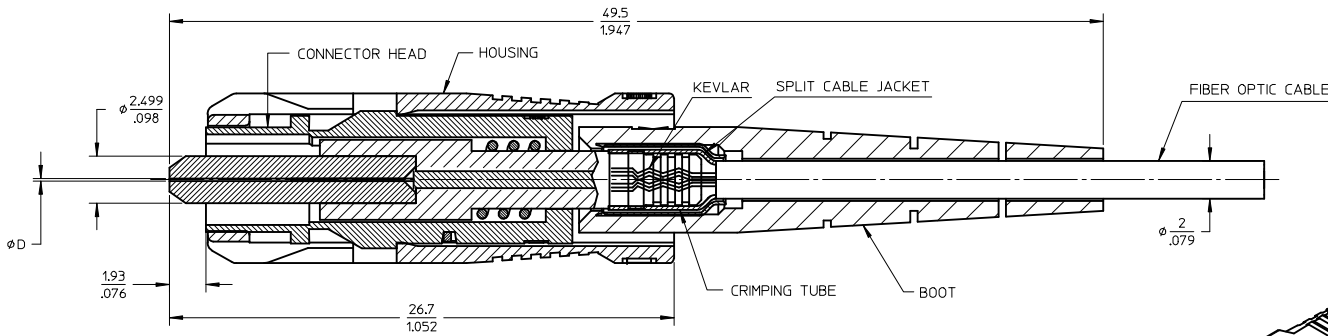
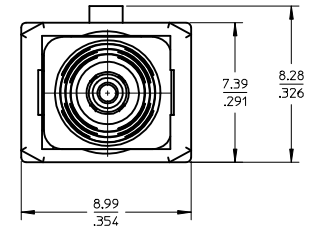
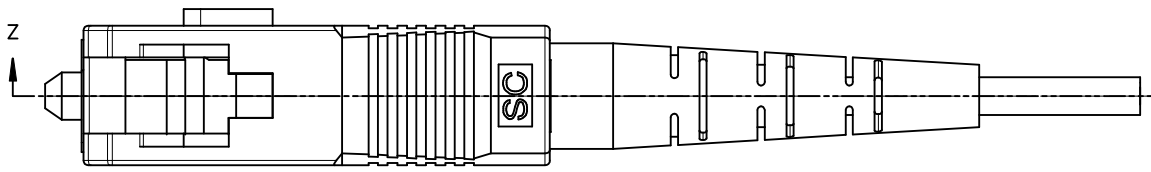
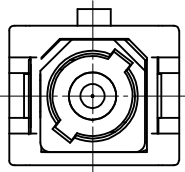
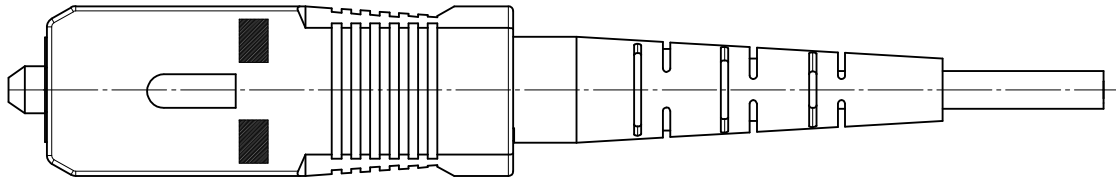
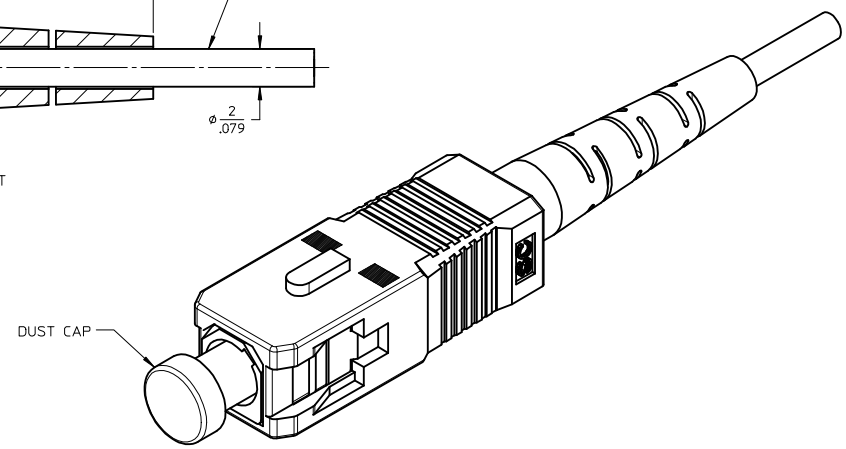


PART NUMBER	ØD (µm)	CONNECTOR TYPE	COLOR
106063-2200	126	SM PC	BLUE
106063-2300	127	MM	BEIGE



SECTION Z-Z



NOTES:

1. ALL DIMENSIONS ARE FOR REFERENCE ONLY.
2. DUST CAP SHOWN IN ISO VIEW ONLY.

ENTER DESCRIPTION EC NO: MF2015-0055 DRWNS:SB0JANIC 2014/07/28 CHKD: APPR: IGUMIN 2014/08/19 REV: A	QUALITY SYMBOLS ▼=0 ▽=0	GENERAL TOLERANCES (UNLESS SPECIFIED) <table border="1"> <thead> <tr> <th></th> <th>mm</th> <th>INCH</th> </tr> </thead> <tbody> <tr> <td>4 PLACES</td> <td>± .005</td> <td>± .0004</td> </tr> <tr> <td>3 PLACES</td> <td>± .003</td> <td>± .0002</td> </tr> <tr> <td>2 PLACES</td> <td>± .002</td> <td>± .0001</td> </tr> <tr> <td>1 PLACE</td> <td>± .001</td> <td>± .00005</td> </tr> </tbody> </table>		mm	INCH	4 PLACES	± .005	± .0004	3 PLACES	± .003	± .0002	2 PLACES	± .002	± .0001	1 PLACE	± .001	± .00005	DIMENSION STYLE MM/IN	SCALE 5:1	DESIGN UNITS METRIC	THIRD ANGLE PROJECTION
		mm	INCH																		
	4 PLACES	± .005	± .0004																		
	3 PLACES	± .003	± .0002																		
2 PLACES	± .002	± .0001																			
1 PLACE	± .001	± .00005																			
DRAFT WHERE APPLICABLE MUST REMAIN WITHIN DIMENSIONS		MATERIAL NO. SEE TABLE	DATE 2014/08/19	MOLEX INCORPORATED																	
		DOCUMENT NO. SD-106063-2200	DATE 2011/02/01	SC CONNECTOR TIGHT CABLE																	
		SIZE C	DATE 2011/01/31	1 OF 1																	