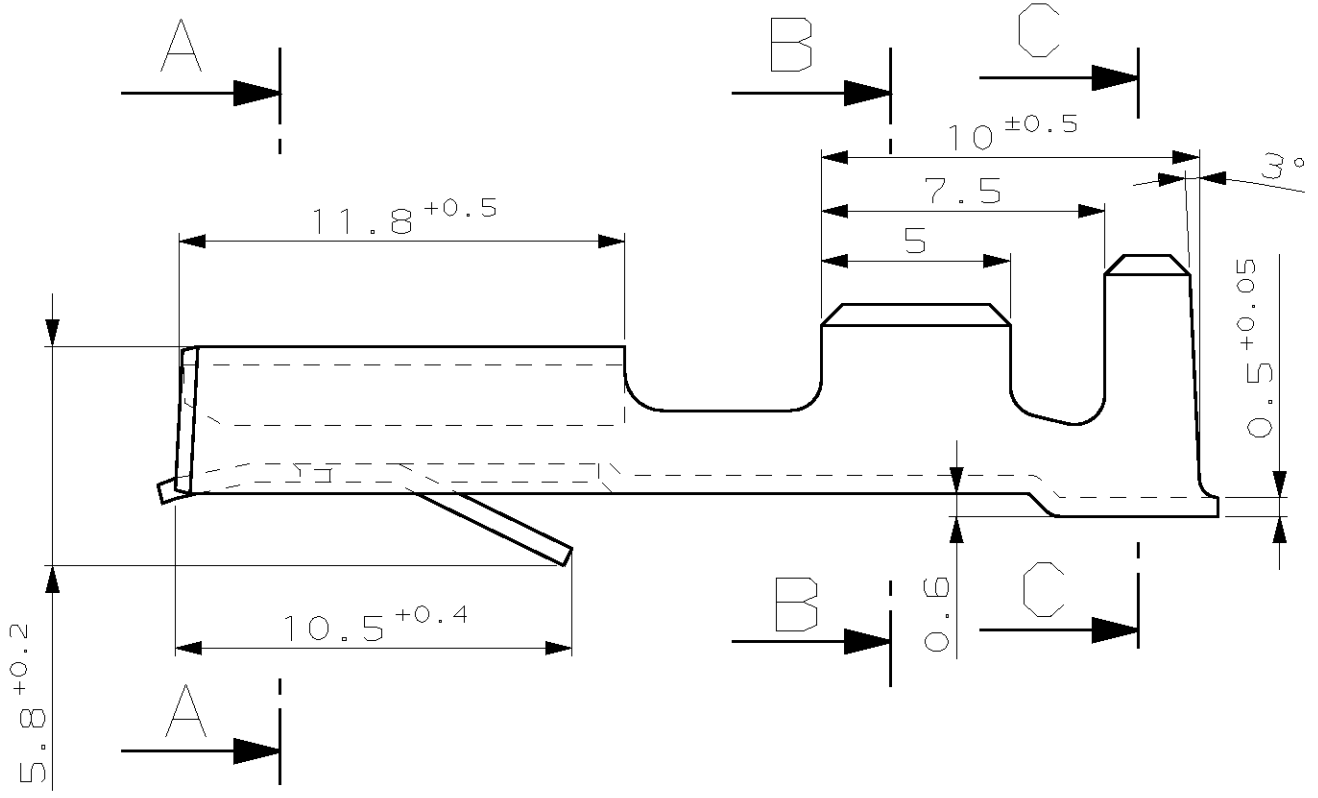
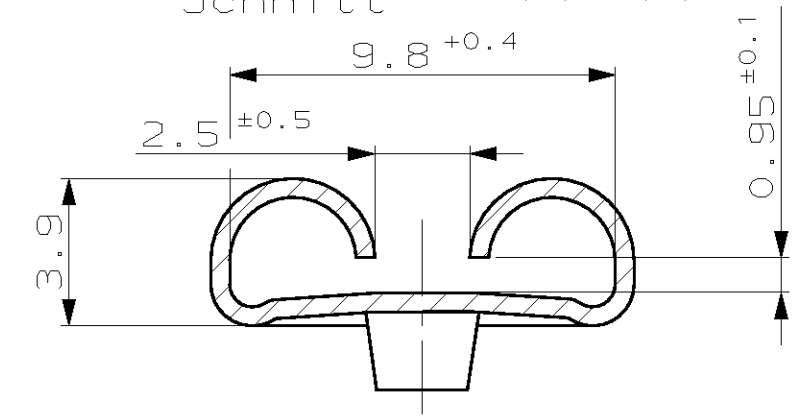


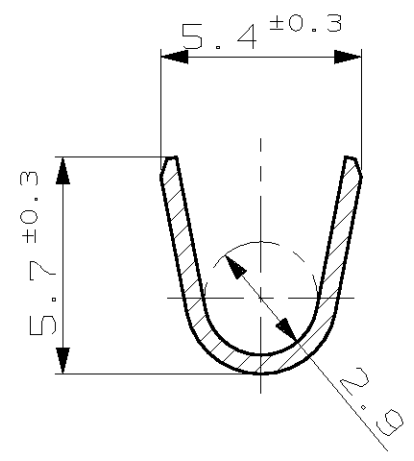
LOC		D1ST		REVISIONS			DATE	DWN	APVD
P	LTR	DESCRIPTION							
AI	-	-	-	-	-	-	-	-	



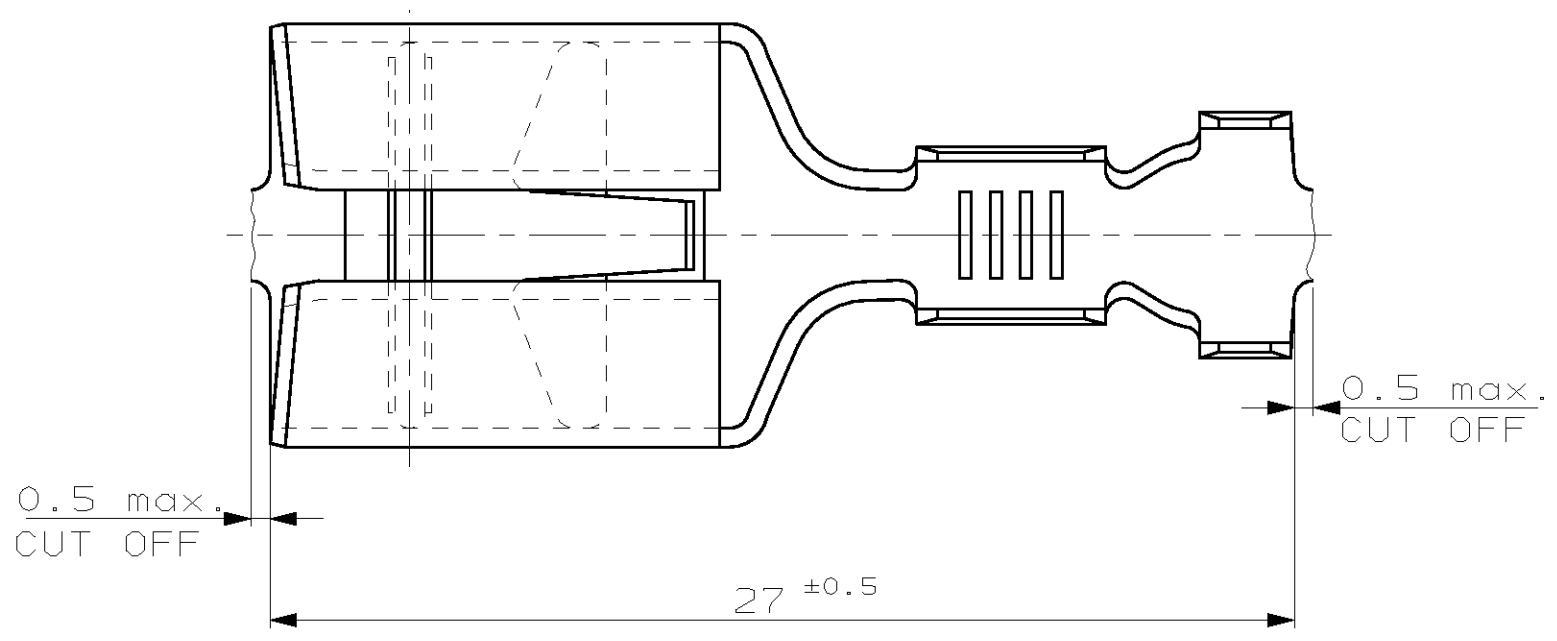
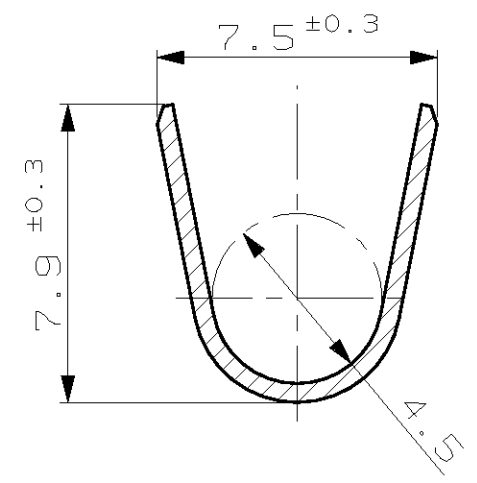
SECTION A-A
Schnitt A-A



SECTION B-B
Schnitt B-B



SECTION C-C
Schnitt C-C



-	-	-	-	-	-	-
-	-	-	-	-	-	-
-	-	-	-	-	-	-
-	962833-1	E	-	CuSn4	blank	Fastin-Faston Rec. 9.5
CUSTOMER PART NO	AMP PART NO	REV.	PCS.	MATERIAL	SURFACE COLOR	DESCRIPTION
						ITEM NO

WIRE RANGE
Drahtgrößenbereich 4-6 mm²

INSULATION
Isolation ∅ 4.0-5.1 mm

THIS DRAWING IS A CONTROLLED DOCUMENT FOR AMP INCORPORATED. IT IS SUBJECT TO CHANGE AND THE CONTROLLING ENGINEERING ORGANIZATION SHOULD BE CONTACTED FOR THE LATEST REVISION.		DWN T. Bersch 12. JAN 98	AMP Deutschland GmbH D - 63225 Langen	
DIMENSIONS: mm	TOLERANCES UNLESS OTHERWISE SPECIFIED, ALLGEMEINTOLERANZEN n. ISO 8015 n. ISO 2768 - mH -E ±0.2	CHK U. Muenk 13-JAN-98	AMP FASTIN-FASTON REC. 9.5 F.F. Steckhuelse Serie 9.5	
MATERIAL	ANGLES /WINKEL ±2° FINISH	APVD -	PRODUCT SPEC -	APPLICATION SPEC -
		WEIGHT -	SIZE A3	CAGE CODE 00779
			DRAWING NO G- 962833	RESTRICTED TO -
CUSTOMER DRAWING			5:1	1 OF 1 REV E