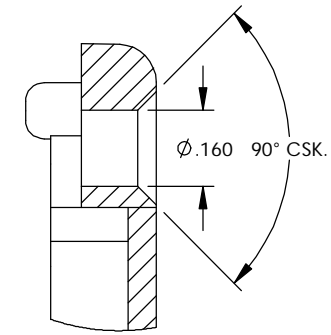


THE INFORMATION CONTAINED IN THIS DRAWING IS THE SOLE PROPERTY OF BUD INDUSTRIES INC. ANY REPRODUCTION IN PART OR WHOLE WITHOUT THE WRITTEN PERMISSION OF BUD INDUSTRIES INC. IS PROHIBITED.

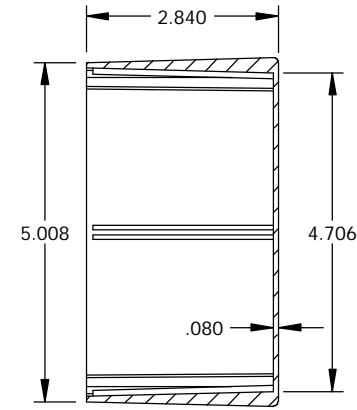
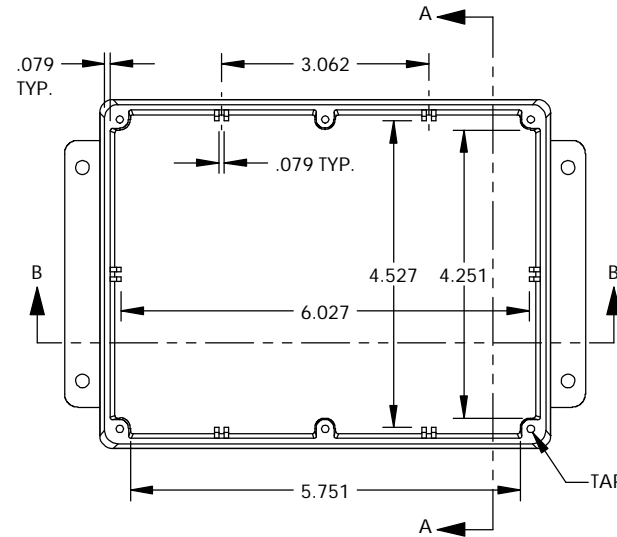
DWG. NO.	CN-6708
ISSUE	REVISIONS

MATERIAL - ALUMINUM ALLOY #ADC-12  
 FINISH - NATURAL (CONTACT BUD FACTORY FOR ALTERNATE FINISHES)  
 GASKET - RATED IP65 NEOPRENE, SELF-ADHESIVE, 3mm THICK, COLOR BLACK  
 SCREWS - STAINLESS STEEL, M3.5 x 12mm LG., CSK. HEAD, SELF-THREADING

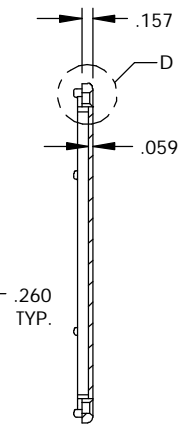
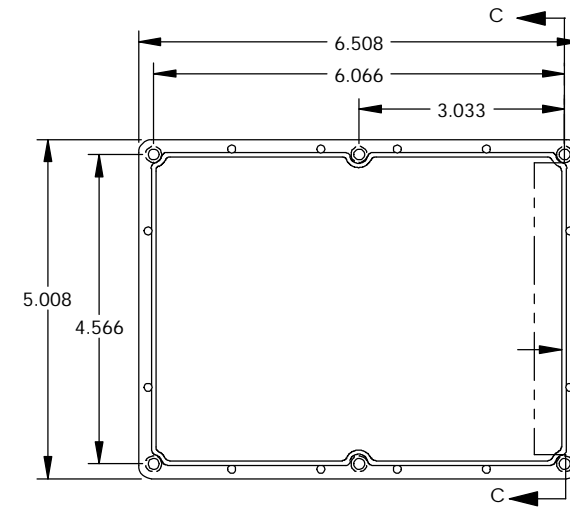
ALL HOLE DIAMETERS HAVE ±.005 TOLERANCE.  
 ALL OTHER DIMENSIONS HAVE ±.015 TOLERANCE.  
 ENCLOSURES ARE SHIPPED UNASSEMBLED WITH ALL ITEMS SHOWN.



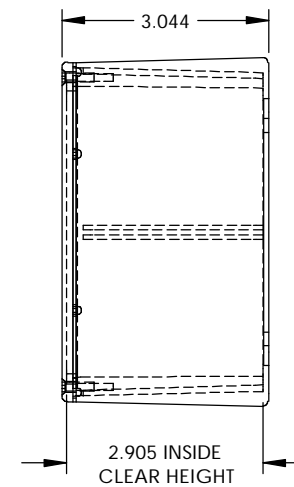
DETAIL D  
SCALE 4 : 1



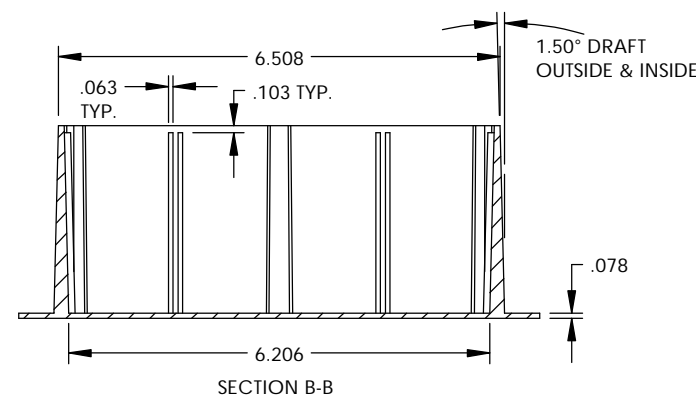
SECTION A-A



SECTION C-C



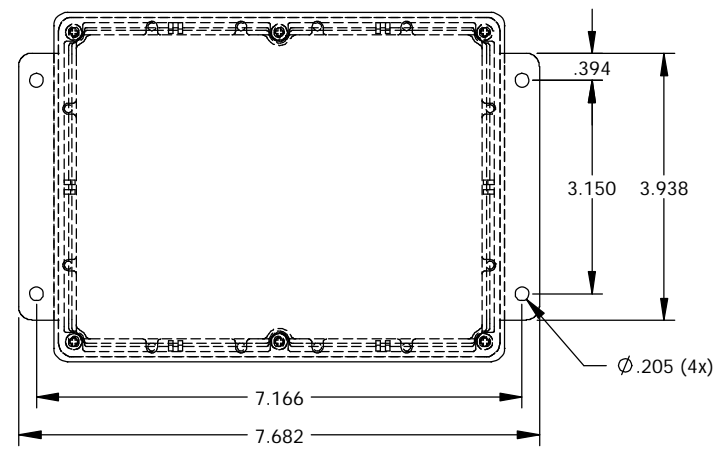
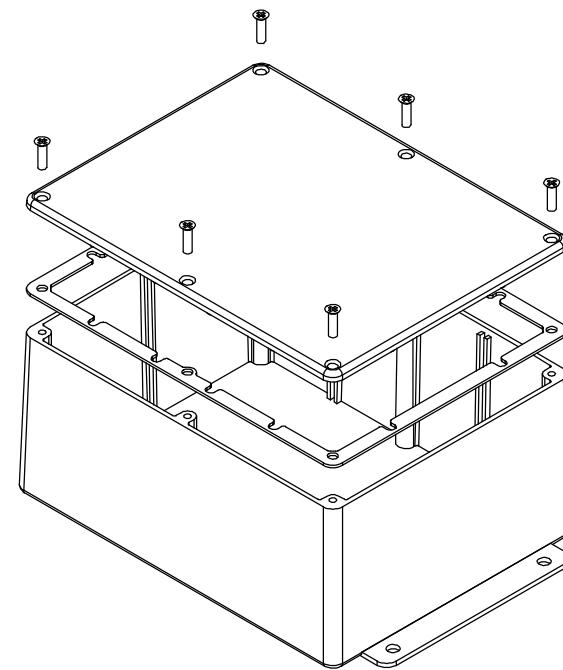
2.905 INSIDE CLEAR HEIGHT



SECTION B-B

BODY

COVER



Ø.205 (4x)

PARTS LIST			
±.005 BETWEEN HOLE CENTERS	CAD GENERATED DRAWING.	<b>BUD INDUSTRIES INC.</b>	
±.015 FROM SHEARED EDGE	DO NOT MANUALLY UPDATE		
±.032 FROM A BENT SURFACE	APPROVALS	DATE	<b>DIE CAST ALUMINUM ENCLOSURE</b>
±.062 BETWEEN ASSEMBLED SURFACES	DRAWN	4-3-06	
UNLESS OTHERWISE SPECIFIED	CHECKED		
MATERIAL	AS NOTED	APPROVED	
FINISH	AS NOTED		
QTY.	USED ON	DO NOT SCALE DRAWING	
SCALE	CAD FILE	SHEET	1 OF 1