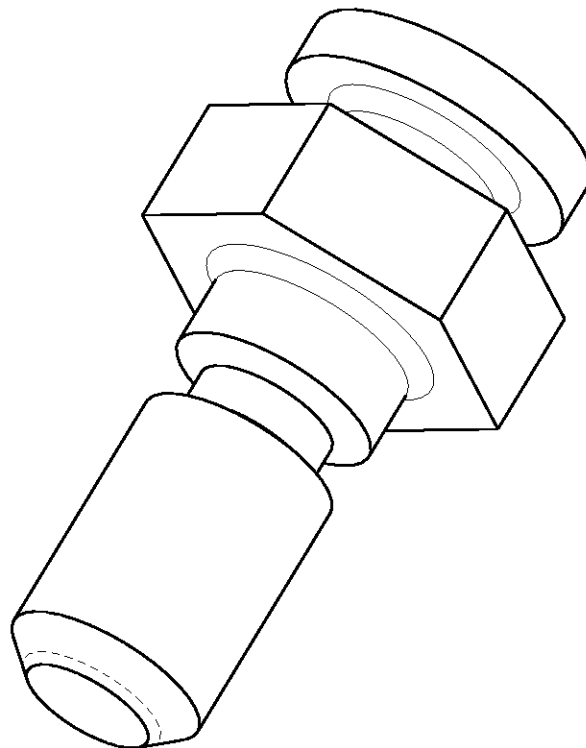
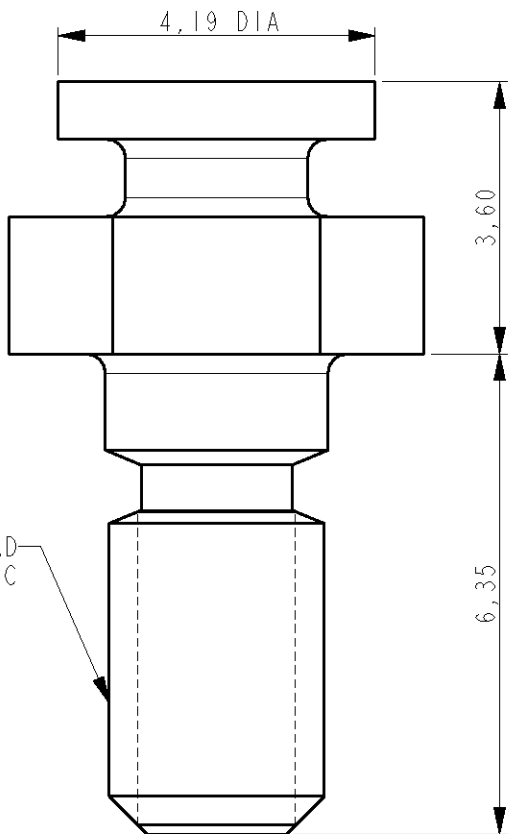
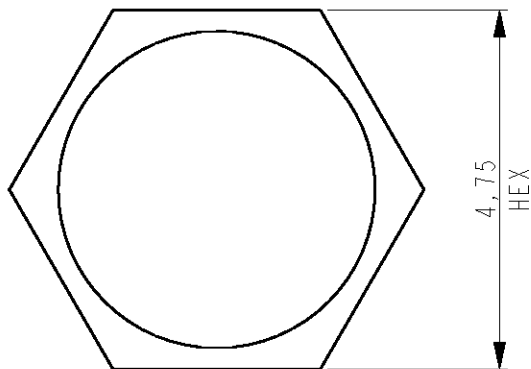


LOC	DIST	REVISIONS			
P	LTR	DESCRIPTION	DATE	DWN	APVD
H	-				
	A	H-7564	19-05-88	BM	CvT
	B	H-7904	20-04-89	PB	CvT
	C	ECR-07-006207	19MAR2007	DC	TdB




RELEASED FOR PUBLICATION

THIS DRAWING IS UNPUBLISHED.

COPYRIGHT - BY TYCO ELECTRONICS CORPORATION. ALL RIGHTS RESERVED.

BRIGHT TIN PLATED	215965-3	
ZINC PLATED YELLOW CHROMATED	215965-2	SUPERSEDED BY 215965-3
FINISH	PARTNUMBER	REMARK

DIMENSIONS: mm	DWN B.MOOIJ	14SEP88	MATERIAL	STEEL	FINISH	SEE TABLE
	CHK CvTILBURG	15SEP88	 Tyco Electronics Nederland BV 's-Hertogenbosch, The Netherlands			
TOLERANCES UNLESS OTHERWISE SPECIFIED:	APVD LvSOEST	10OCT88				
0 PLC ±-	PRODUCT SPEC	-	NAME APLIMITE, LOCKING POST			
1 PLC ±-	APPLICATION SPEC	-	SIZE	CAGE CODE	DRAWING NO	RESTRICTED TO
2 PLC ±0,13			A4	00779	C=215965	-
3 PLC ±-	WEIGHT	-	CUSTOMER DRAWING			
4 PLC ±-			SCALE	10:1	SHEET	1 OF 1
ANGLES ±2°						REV C

