

5218 NM

DC axial compact fan



ebm-papst St. Georgen GmbH & Co. KG

Hermann-Papst-Str. 1
D-78112 St. Georgen
Phone +49 (0) 7724 81-0
Fax +49 (0) 7724 81-1309
info2@de.ebmpapst.com
www.ebmpapst.com

Nominal data

| Type | 5218 NM | |
|--------------------------|-------------------|----------|
| Nominal voltage | VDC | 48 |
| Nominal voltage range | VDC | 36 .. 56 |
| Speed (rpm) | min ⁻¹ | 2750 |
| Power consumption | W | 4.5 |
| Min. ambient temperature | °C | -20 |
| Max. ambient temperature | °C | 75 |
| Air flow | m ³ /h | 187 |
| Sound power level | B | 5.3 |
| Sound pressure level | dB(A) | 43 |

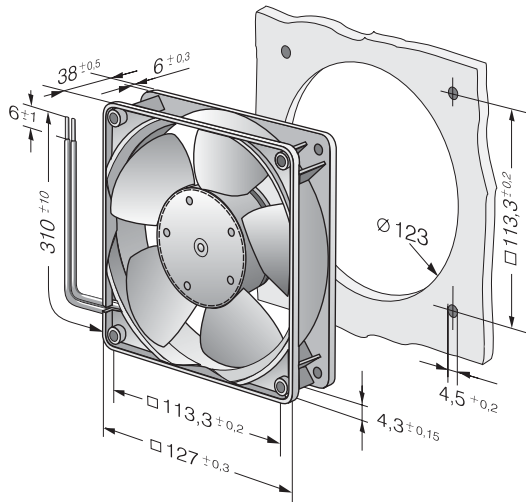
ml = Max. load · me = Max. efficiency · fa = Free air · cs = Customer specification · ce = Customer equipment
Subject to change



Technical description

| | |
|--|---|
| General description | Power consumption when wide open; these values may be considerably higher at the operating point. |
| Housing material | Glass-fiber reinforced PBT plastic |
| Impeller material | Glass-fiber reinforced PA plastic |
| Weight | 0.310 kg |
| Dimensions | 127 x 127 x 38 mm |
| Airflow direction | Exhaust over struts |
| Direction of rotation | Counterclockwise, viewed toward rotor |
| Storage | Ball bearing |
| Service life L10 at 40 °C | 62500 h |
| Service life L10 at maximum temperature | 27500 h |
| Cable | Leads AWG 22, TR 64, stripped and tin-plated. |
| Motor protection | Protection against reverse polarity and blocked rotor. |
| Locked-rotor protection | With electronic locked-rotor and overload protection |
| Approval | VDE, CSA, UL, CE |
| Option | Vario-Pro fan |

Product drawing



Curves: Air performance

