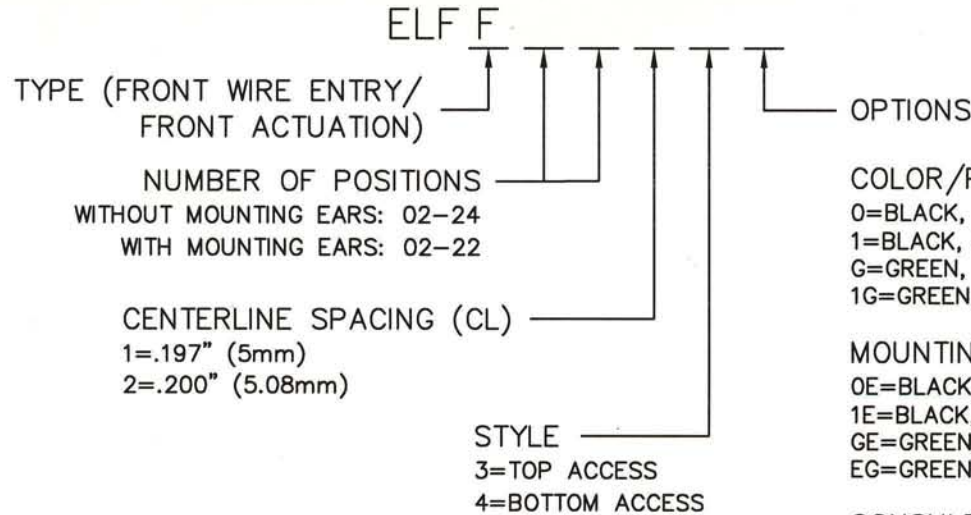


ELFF SERIES PART NUMBERING SCHEME

REV	ECN	APPD
-	3600	JC 12/11/98
A	4686	IQ 1/2/02
B	4792	IQ 3/11/02
C	4821	IQ 4/9/02
D	5742	JN 12/28/05



RATINGS

CURRENT - 15A
VOLTAGE - 300V
U.L. FILE NO. E83421



RATINGS

CURRENT - 15A
VOLTAGE - 300V
CSA FILE NO. LR69703

DIN VDE 0627:1986
DIN VDE 0110-1:1989
EN 60947-1:1991
EN 60947-7-1:1992

CURRENT - 15A
VOLTAGE - 300V
TUV FILE NO. 20396

INSTALLATION RECOMMENDATIONS:
WIRE RANGE: AWG #14-26, STRANDED OR SOLID;
AWG #12 STRANDED
WIRE STRIP LENGTH: AWG #14-26: .310" (7,87mm)
AWG #12: .490" (12,45mm)
TIGHTENING TORQUE: 7 LB-IN.

MATERIALS:
HOUSING: PPO, UL 94 V-0
CONTACT: COPPER ALLOY, OPTIONAL FINISH
SCREW: STEEL, NICKEL FINISH
WIRE CLAMP: COPPER ALLOY, NICKEL FINISH

MAX OPERATING TEMPERATURE:
105°C

DIMENSIONS

ANSI Y14.5M
UNITS: INCHES
ACAD FILE

TOLERANCES

.XX ±.01
.XXX ±.005
ANGLES ±2°

PROJECTION



Amphenol Pcd

SPECIFICATION DRAWING

ENGR
A. PATRIE 12/4/98

CHKD
APPD
J. CAHALY 12/11/98

TITLE

ELFF SERIES
PLUGGABLE TERMINAL BLOCK
FRONT / FRONT

ORIGINAL
STAMPED
IN RED

*THIS DOCUMENT CONTAINS
PROPRIETARY INFORMATION WHICH
IS THE CONFIDENTIAL PROPERTY
OF AMPHENOL PCD INC. PEABODY, MA*

SIZE DWG NO.

A

ELFF02130

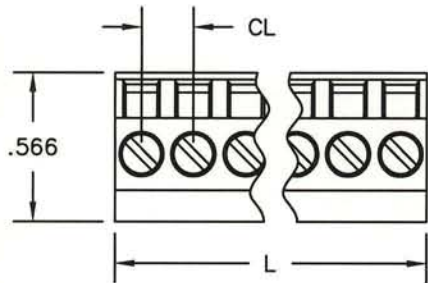
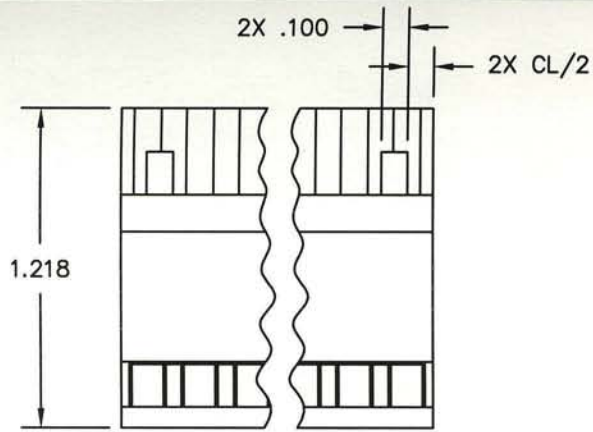
REV

D

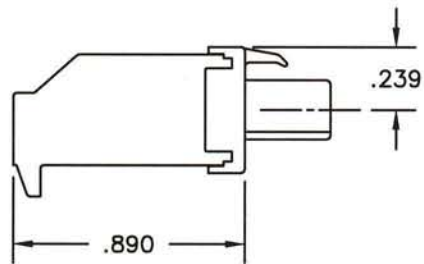
CODE: 58982 SCALE: NONE SHEET 1 OF 2

WITHOUT MOUNTING EARS

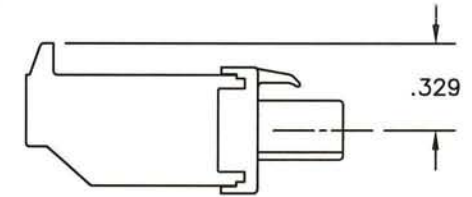
L=NUM OF POS X CL SPACING



TOP ACCESS

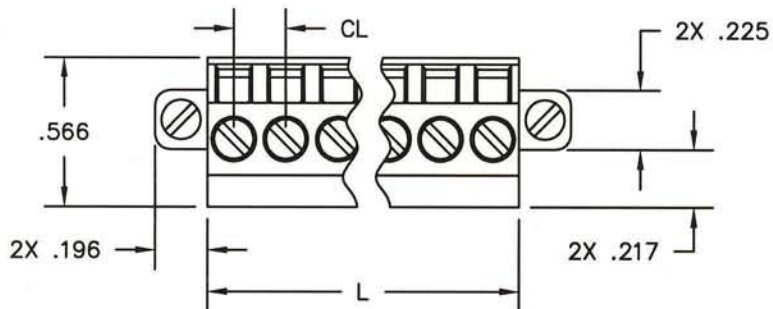
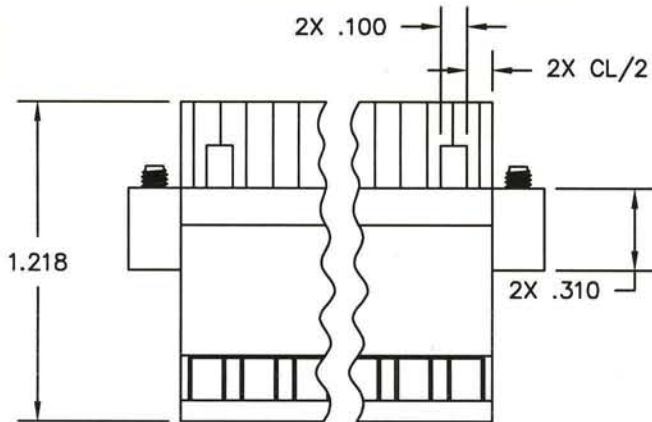


BOTTOM ACCESS

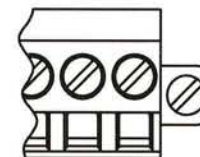
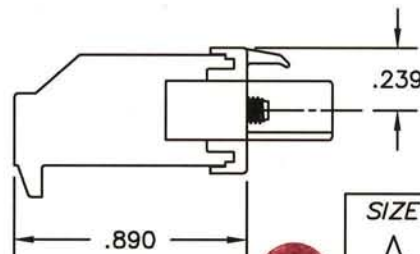


WITH MOUNTING EARS

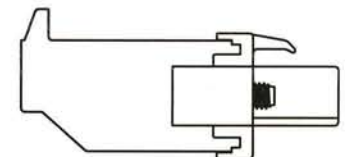
L=NUM OF POS X CL SPACING



TOP ACCESS



BOTTOM ACCESS



SIZE A	DWG NO. ELFF02130	REV D
CODE: 58982	SCALE: NONE	SHEET 2 OF 2