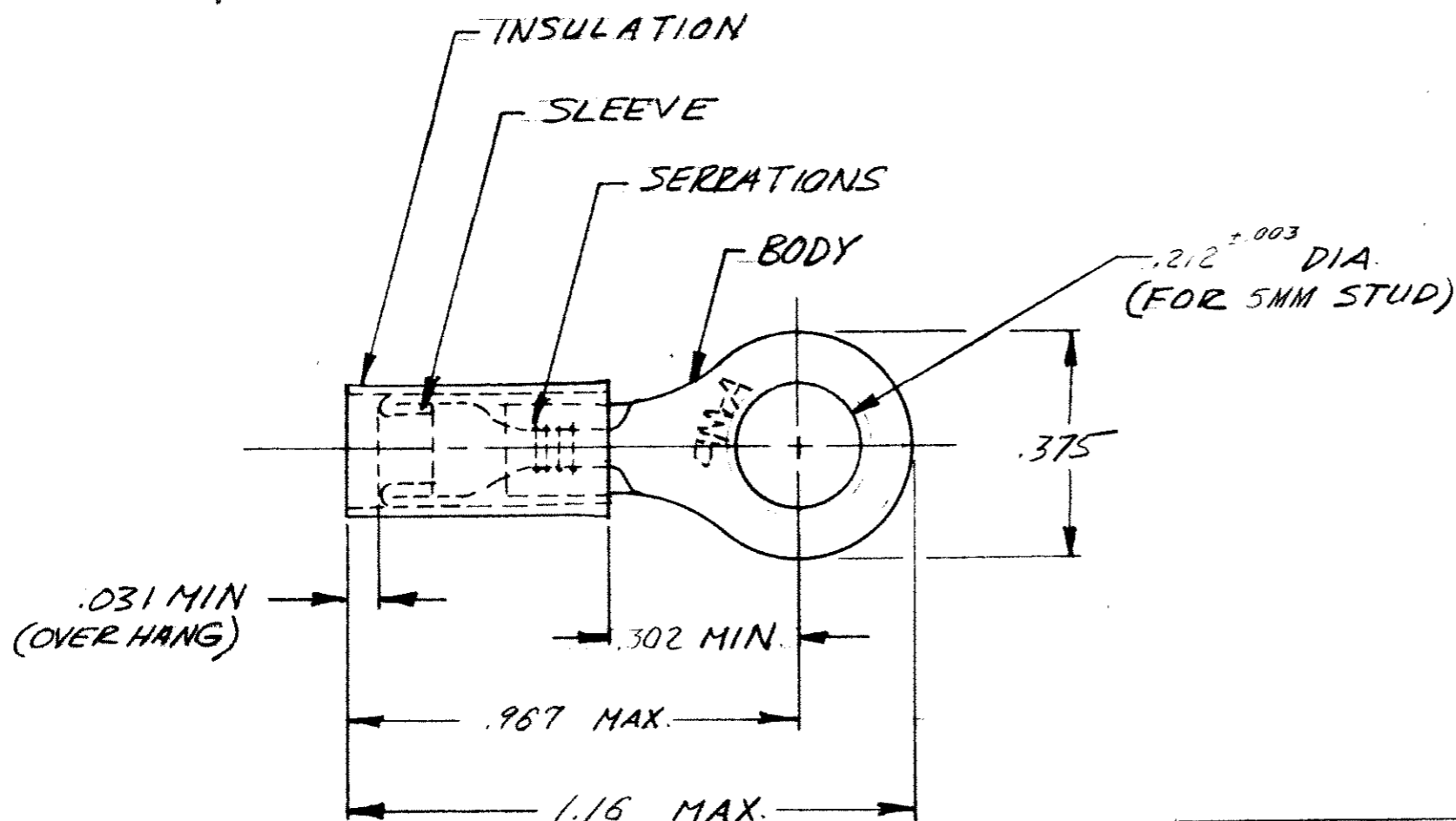


© COPYRIGHT 1981 BY AMP INCORPORATED, HARRISBURG, PA.
 ALL INTERNATIONAL RIGHTS RESERVED. AMP INCORPORATED PRODUCTS
 COVERED BY U. S. AND FOREIGN PATENTS AND/OR PATENTS PENDING.

REVISIONS						
P	F	ZONE	LTR	DESCRIPTION	DATE	APPROVED
✓	✓		0	RELEASED PER 80-0155	4-20-81	DJM
✓	✓		A	-1 OBSOLETE G-2340 DAP	4/10/87	
			B	REV PER 063A-0331-02	8/02	HE/TM



FOR .300 MAX WIRE INSULATION DIA.
 TONGUE MATERIAL THICKNESS = .042 MAX.

1,500	ON TAPE	M/F -1	55157-2
1	WIRE TERMINAL	BODY & SLEEVE: COPPER (QQ-C-576) TIN PL (MIL-T-10727) INSULATION: COLOR: YELLOW	55157-1 OBSOLETE
QTY	DESCRIPTION	MATERIAL & FINISH	PART NO

UNLESS OTHERWISE SPECIFIED DIMENSIONS ARE IN INCHES. TOLERANCES ON: DECIMALS ± .000 ANGLES ±	CONTRACT NO	AMP INCORPORATED Harrisburg, Pa.		
	DR <u>D. J. MURREN</u> 4-20-81			
	MATERIAL (SEE TABLE)	CHK <u>H. Muller</u> 1/24/81	NAME TERMINAL PID G - RING TONGUE WIRE SIZE 12-10	
FINISH (SEE TABLE)	APPD <u>J. Lawler</u> 4/24/81	SIZE B	CODE IDENT NO 00779	DRAWING NO 55157
	DSGN APPD	SCALE N.T.S.	SHEET 1 OF 1	
	OTHER APPD			