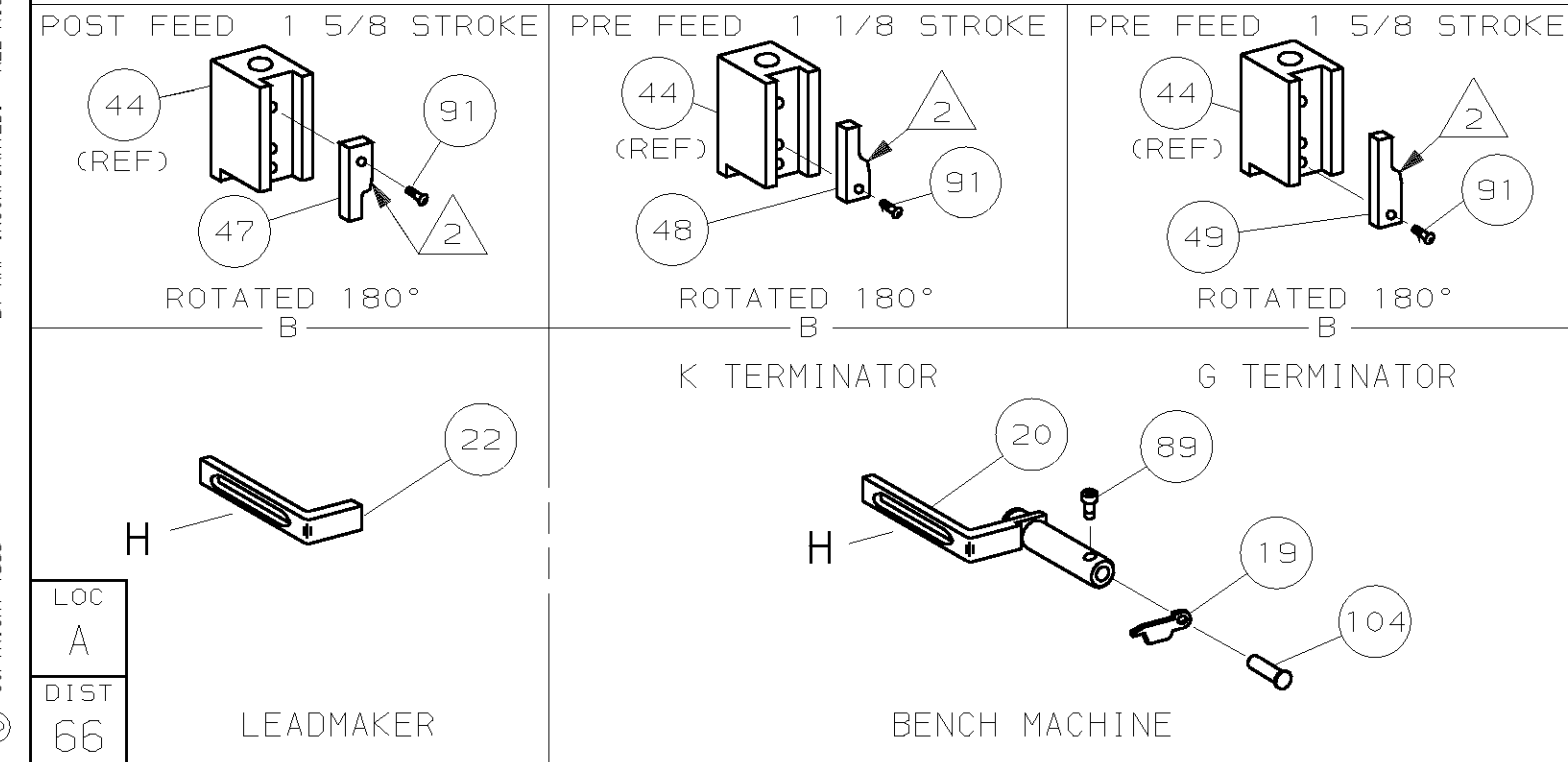
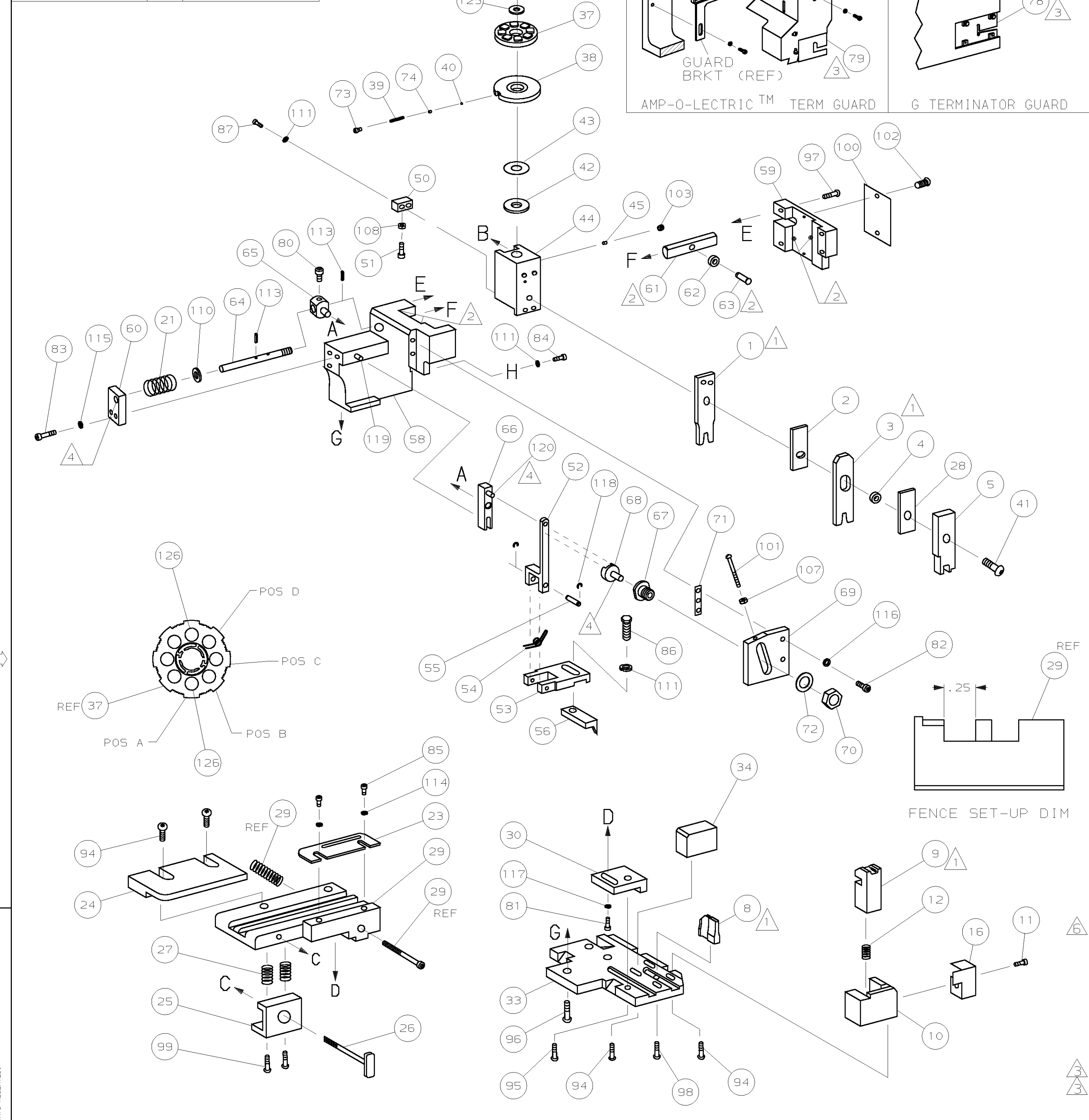


PART NUMBER	REV	FIRST USED
680783-1	A	122500-1
680783-2	A	565435-5
680783-3	A	354500-1



- 1 RECOMMENDED SPARE PARTS.
- 2 GREASE LIGHTLY.
- 3 GUARD MUST BE IN PLACE WHEN OPERATING APPLICATOR IN A BENCH MACHINE.
- 4 LUBRICATE DAILY USING NO. 20 MACHINE OIL.
- 5. ITEMS WITH QTY OF REF SPECIFIED (EXCEPT ITEMS 78 AND 79) ARE USED ON ITEM 46.
- 6 CUT TO LENGTH AT ASSY
- 7 GUIDE OFF INSULATION BARREL.

TERMINAL NAME: RECEPTICAL							
AMP		MFG	CRIMP DATA (NON-AMP TERMINAL-CUST SPEC)				
AMP	MFG	PAD LTR	CRIMP HEIGHT	WIRE SIZE			
286786	12124559	A	.063 ±.002 [1.60 ±0.05mm]	(2) 18			
		B	NOT	USED			
		C	NOT	USED			
		D	NOT	USED			
WIRE STRIP LENGTH		TERM APPL SPEC	FEED	APPL INSTRUCTION	SET UP GAGE	LAYOUT	
.203-.219		NONE	.688	408-8040	458637-1	L2210	
QTY	REF	REF	REF	REF	REF	REF	
2	2	2	-	C	354779-8	PIN, WIRE DISC (.3030)A 126	
1	1	1	-	A	986950-1	WASHER, FLAT PRECISION 125	
1	1	1	-	A	217238-1	GENERAL INSTRUCTION PACKAGE 124	
1	1	1	-	-	4088040	SF APPL INST 408-8040 123	
						122	
						121	
REF	REF	REF	-	A	1-21030-1	PIN, DOWEL (Ø.187x.50) LEVER 120	
REF	REF	REF	-	A	1-21030-6	PIN, DOWEL (Ø.187x1.25) HOUSING 119	
REF	REF	REF	-	A	21045-3	RING, RET "C" (Ø.187) FD FING PIN 118	
1	1	1	-	A	21024-5	WASHER, LOCK (#10) ADJ BLK 117	
REF	REF	REF	-	A	21024-5	WASHER, LOCK (#10) ADJ PLATE 116	
REF	REF	REF	-	A	21024-5	WASHER, LOCK (#10) FEED GDE ROD 115	
2	2	2	-	A	21024-2	WASHER, LOCK (#4) FRONT STP GUIDE 114	
REF	REF	REF	-	A	5-21028-1	PIN, SLT SPR (Ø.125x.50) ADJ ROD 113	
						112	
4	4	4	-	A	21024-4	WASHER, LOCK (#8) STRIPPER 111	
REF	REF	REF	-	A	21899-4	WASHER, FLAT (Ø5/16) SCREW ADJ 110	
						109	
1	1	1	-	A	21018-5	NUT, HEX (NO. 6) HOLDDOWN 108	
REF	REF	REF	-	A	21068-5	NUT, HEX (6-32) FEED ADJ 107	
						106	
						105	
1	1	-	-	A	992031-1	PIN, CLEVIS 104	
1	1	1	-	A	21009-2	SCR, SKT 5ET (1/4-20x.25 LW) RAM 103	
2	2	2	-	A	21017-2	SCR, DRIVE (#2x.19) ID PLATE 102	
REF	REF	REF	-	A	6-23715-5	SCR, PAN HD (6-32x1.50) FEED ADJ 101	
1	1	1	-	B	461264-1	PLATE, IDENTIFICATION 100	
2	2	2	-	A	3-21002-0	SCR, BHC (10-32x.88) DRAG 99	
1	1	1	-	A	22733-8	SCR, BHC (8-32x.38 LW) ANVIL 98	
REF	REF	REF	-	A	2-21002-9	SCR, BHC (10-32x.75) CAP 97	
REF	REF	REF	-	A	2-22733-8	SCR, BHC (1/4-20x.62) HOUSING 96	
REF	REF	REF	-	A	2-21002-7	SCR, BHC (10-32x.50) 56 ADJ BLOCK 95	
6	6	6	-	A	2-21002-2	SCR, BHC (8-32x.50) TERM H DWN 94	
						93	
						92	
1	1	1	-	A	1-21002-7	SCR, BHC (6-32x.38) CAM 91	
						90	
1	1	-	-	A	7-21000-9	SCR, SHC (4-40x.19) STRIPPER 89	
						88	
2	2	2	-	A	2-21000-7	SCR, SHC (8-32x.48) DEP-HOLD 87	
1	1	1	-	A	2-22603-0	SCR, HEX HD (8-32x.31) FEED FINGER 86	
2	2	2	-	A	1-21000-3	SCR, SHC (4-40x.25) F ST GUIDE 85	
1	1	1	-	A	2-21000-7	SCR, SHC (8-32x.50) STRIPPER 84	
REF	REF	REF	-	A	3-21000-7	SCR, SHC (10-32x.75) FEED ROD GD 83	
REF	REF	REF	-	A	3-21000-6	SCR, SHC (10-32x.62) FD ADJ BLK 82	
1	1	1	-	A	3-21000-4	SCR, SHC (10-32x.38) 56 ADJ BL 81	
REF	REF	REF	-	A	3-21000-4	SCR, SHC (10-32x.38) PIVOT BLK 80	
-	REF	-	-	B	455749-1	GUARD, WINDOW 79	
REF	-	-	-	B	679532-1	INSERT, GUARD 78	
						77	
						76	
						75	
1	1	1	-	A	690603-1	SPRING, ASSIST 74	
1	1	1	-	A	23030-1	SCR, SHC (6-32x.25 SL) INS DISC 73	
REF	REF	REF	-	A	458109-1	WASHER, SPECIAL 72	
REF	REF	REF	-	A	690517-1	SPACER 71	
-3	-2	-1	U/M	DWG SIZE	PART NO	DESCRIPTION	ITEM NO

QTY REOD PER ASSY						PARTS LIST					

DIMENSIONS IN INCHES. DO NOT SCALE PRINT. TOLERANCES UNLESS OTHERWISE SPECIFIED:				MATL	HT TR	FIN
DR W.HOOVER				15FE899	APP 15FE899	T.ELBIN
CHK 15FE899				C.ERISMAN	REL -	
3 PLC DEC ± -						
4 PLC DEC ± -						
ANGLES ± -						
SURF TEXTURE: ✓						
REMOVE BURRS, BREAK SHARP EDGES R.015 MAX						
A1	ECN 0150-0299-04	TE	3-04			
A	REVISED	CE	4/99			
P/F	REVISION RECORD	APP	DATE			

NAME				MACHINE REF	
SIDE FEED HDM APPLICATOR				MINI APPL	
SCALE -	DWG NO 680783	SHEET 1 OF 1	REV A1		

THIS DRAWING IS A CONTROLLED DOCUMENT.

APPROVED FOR PUBLICATION  
BY AMP INCORPORATED. ALL RIGHTS RESERVED.  
AMP 1756 REV 3-92

8  
9  
10  
11  
12  
13  
14  
15  
16  
17  
18  
19  
20  
21  
22  
23  
24  
25  
26  
27  
28  
29  
30  
31  
32  
33  
34  
35  
36  
37  
38  
39  
40  
41  
42  
43  
44  
45  
46  
47  
48  
49  
50  
51  
52  
53  
54  
55  
56  
57  
58  
59  
60  
61  
62  
63  
64  
65  
66  
67  
68  
69  
70  
71  
72  
73  
74  
75  
76  
77  
78  
79  
80  
81  
82  
83  
84  
85  
86  
87  
88  
89  
90  
91  
92  
93  
94  
95  
96  
97  
98  
99  
100  
101  
102  
103  
104  
105  
106  
107  
108  
109  
110  
111  
112  
113  
114  
115  
116  
117  
118  
119  
120  
121  
122  
123  
124  
125  
126  
D  
B  
A