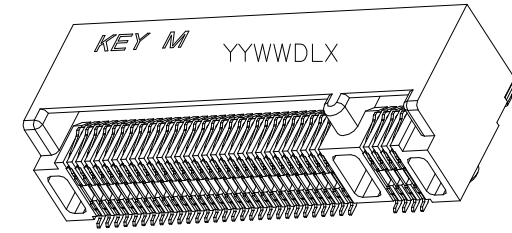
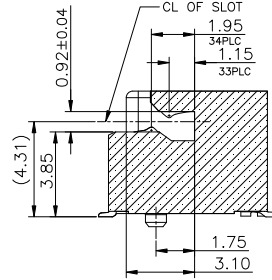
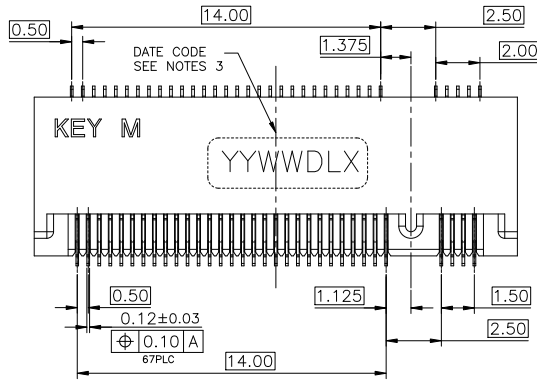


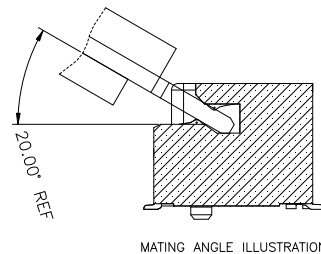
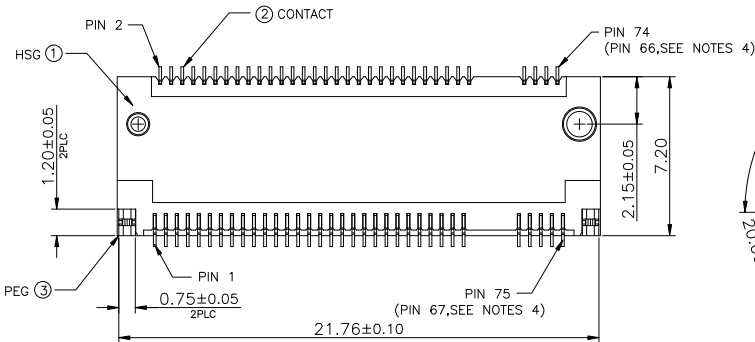
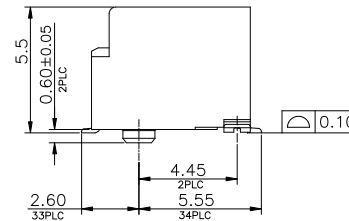
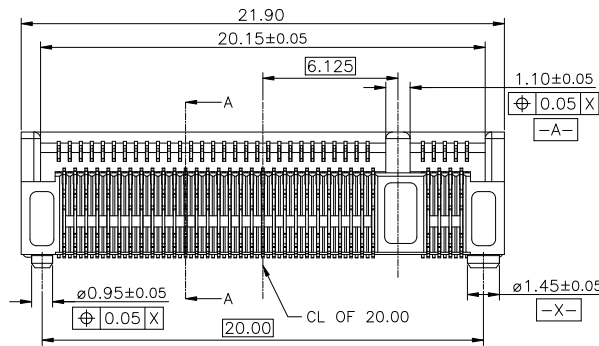
HF
Halogen Free



NOTES:

1. MATERIAL:
 - 1.1 HOUSING:HIGH TEMPERATURE THERMOPLASTIC,UL94V-0,COLOR:BLACK.
 - 1.2. CONTACT:COPPER ALLOY.
 - 1.3. SOLDER PEG:STAINLESS STEEL.
2. FINISH:
 - 2.1 CONTACT:
 - UNDERPLATING NICKEL 50u" MIN OVERALL
 - MATING AREA:GOLD PLATING,THICKNESS SEE TABLE
 - SOLDER AREA:GOLD FLASH 1u"MIN.
 - 2.2 SOLDER PEG:
 - UNDERPLATING NICKEL 50u" MIN OVERALL
 - 80u"MIN MATTE TIN ON SURFACE
3. DATE CODE : YYWDLX
 - YY: YEAR (09: 2009)
 - WW: WEEK (25: THE 25TH WEEK)
 - D: DAY (1~7: SUNDAY~SATURDAY)
 - L: LINE NUMBER OF ASSEMBLY (A: LINE A)
 - X: D OR N (D: DAY; N: NIGHT)
4. CONNECTOR ACTUAL PIN QUANTITY IS 67, AS THE KEY TAKING OUT 8 PINS.
5. PRODUCT SPECIFICATION SEE FCI GS-12-1195
6. PART NUMBER DESCRIPTION:
 - 10128798-00XRLF

- LF:LEAD FREE & RoHS COMPLIANCE
- PACKAGE CODE:
 - R: TAPE & REEL PACKING
- PLATING CODE:
 - 1: GOLD FLASH ON CONTACT AREA
 - 4: 15u"Min GOLD ON CONTACT AREA
 - 5: 30u"Min GOLD ON CONTACT AREA



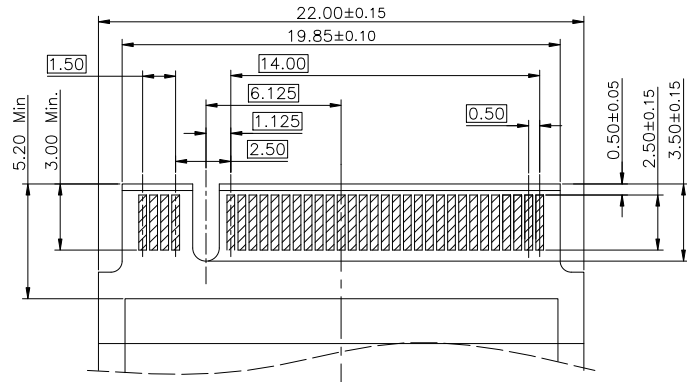
30u" Au	10128798-005RLF
15u" Au	10128798-004RLF
GOLD FLASH	10128798-001RLF
CONTACT AREA	FCI P/N

mat'l. code	surface	tolerance	projection	product family
ltr	ecn no	dr	date	tolerances unless otherwise specified
A		TAI	2015-03-20	angles
				linear
				X°±2°
				dr
				enr
				chr
				appd
sheet index	revision sheet	A	A	A
		1	2	3
				product title
				M.2 CONNECTOR 5.50H_STD_KEY M
				scale
				mm
				type
				Customer Drawing
				dwg no
				10128798
				sheet 1 of 3
				size
				A4

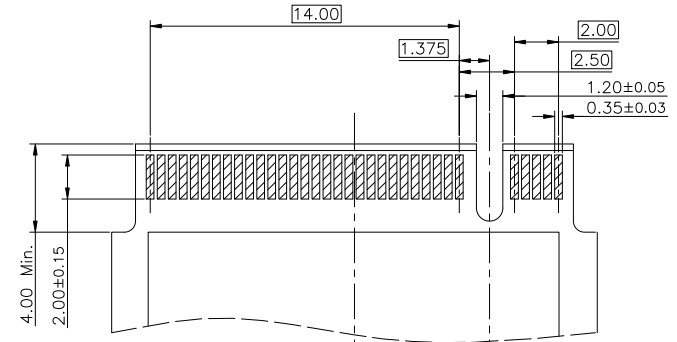
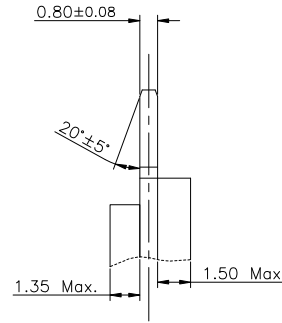
HF
Halogen Free



PLUG PCB

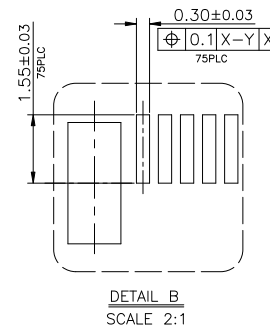
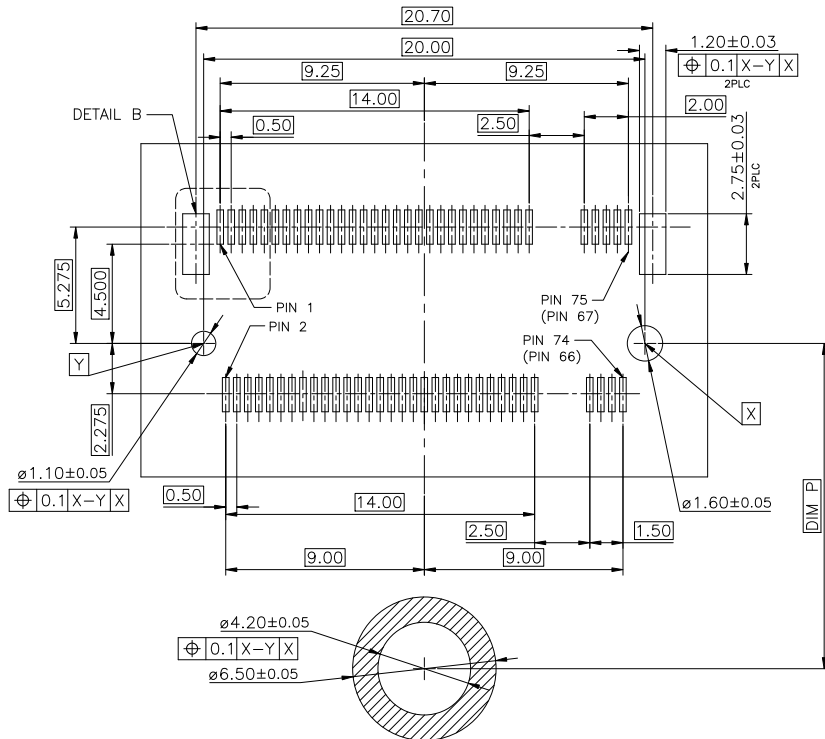


BOTTOM SIDE



TOP SIDE

RECOMMENDED PCB LAYOUT



	dwg no	sheet 2 of 3	size
	10128798		A4
	type	Customer Drawing	

sheet index	revision sheet	A	A	A											
	1	2	3												

