

NOTES:

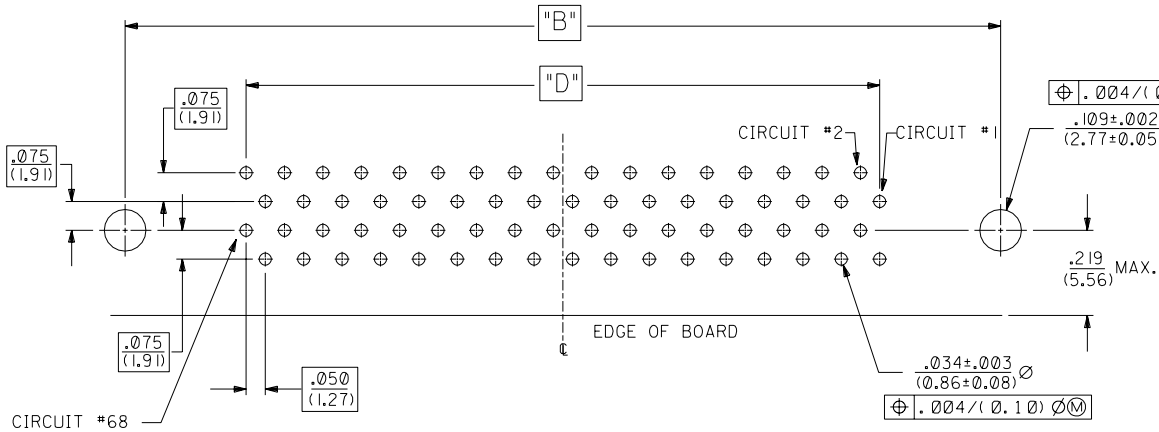
1. SEE SHEETS 3 AND 4 FOR PART NO'S. AND CHARTED DIMENSIONS.
2. TAIL / PCB PATTERN FIXED AT LAST CIRCUIT POSITIONS FOR ALL CIRCUIT SIZES AT END SHOWN. (B12).
3. SEE SHEET 2 FOR ALL ADDITIONAL NOTES.
4. THE "H" DIMENSION APPLIES ONLY TO THE PLASTIC HOUSING AND NOT THE SHIELD.

4	N
3	N
2	N
1	N
MFG. SH. REV.	

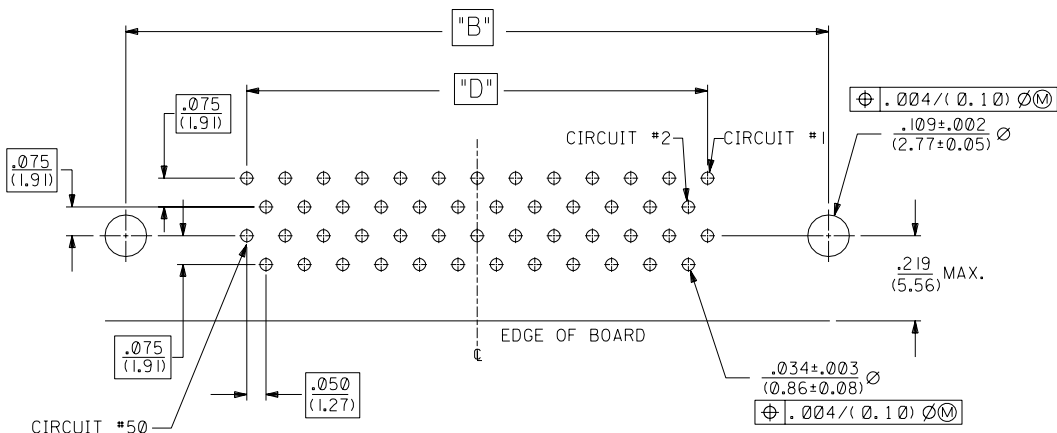
N	OBSOLETE PART # ECR* UCP2005-0311 BSMART 04/08/09	K2	NOTES ON SHEETS 4,5 FOR SCREWLOKS ECN UCP2004-0240 RWHITE 03/07/31 ADDED NOT TOOLED TO CHART PER EC *UDT1999-0167 J. LONG N98/09/08
M	LEADFREE ECR* UCP2004-1925 DMORGAN 04/04/06	K1	REVISED CHART PER EC # U81346 J. LONG 97/12/12
LTR.	REVISIONS	LTR.	REVISIONS

DIMENSIONS SHOWN (METRIC) INCH	
UNLESS OTHERWISE SPECIFIED TOLERANCES: ANGULAR ± 1/2°	
3 PLACE ± .005	---
2 PLACE ± ---	± 0.13
1 PLACE ---	± ---
DRAFT WHERE APPLICABLE MUST REMAIN WITHIN DIMENSIONS	
DRW. BY J. Long	CHK'D. BY BOWEN
APP'D. BY DJB	SCALE 4 : 1

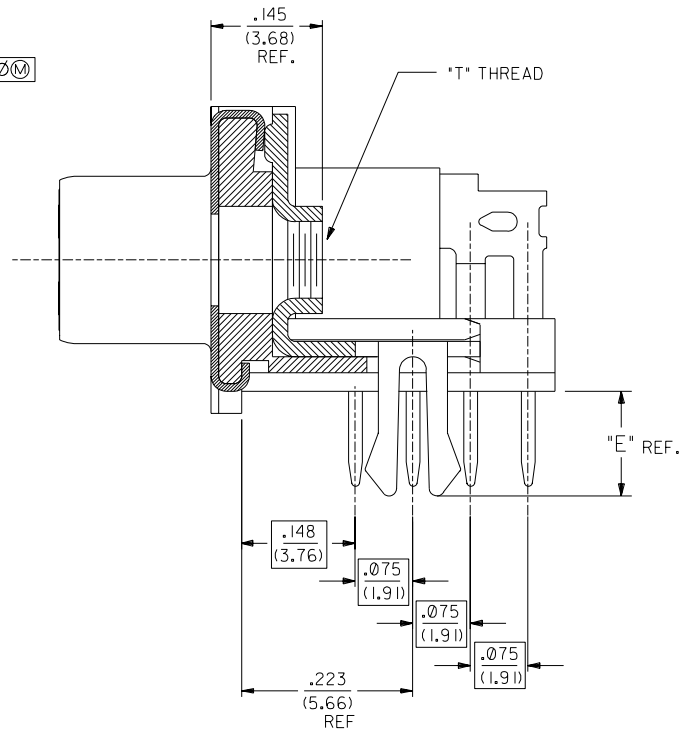
REVISE ONLY ON CAD SYSTEM	
TITLE SALES ASSEMBLY SCSI SHIELDED RECEPTACLE	
MOLEX INCORPORATED LITSE, ILL. 60532	SHEET NO. 1 OF 4
DATE 03/27/89	U.S.A.
PART NO. SEE CHARTS	DRWG. NO. SDA-79059-1***
FILE NAME 579059A1.DGN	THIS DRAWING CONTAINS INFORMATION THAT IS PROPRIETARY TO MOLEX INC. AND SHOULD NOT BE USED WITHOUT WRITTEN PERMISSION.
DIV. DC	SIZE C



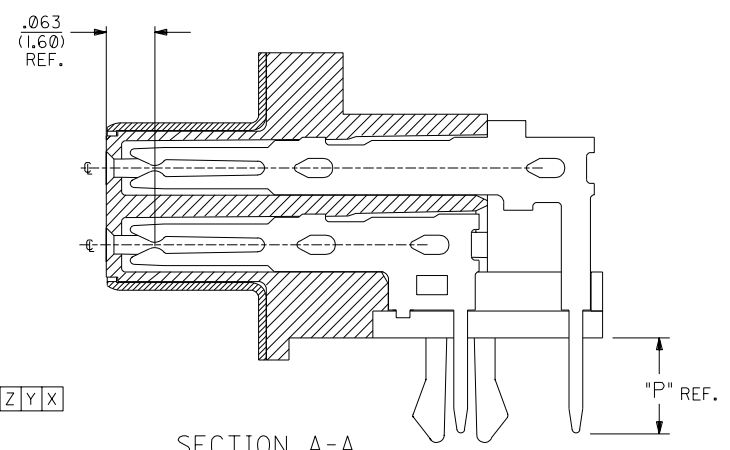
TYPE 1168 CKT P.C. BOARD LAYOUT
CONNECTOR SIDE (SCALE 4:1)



TYPE 150 CKT P.C. BOARD LAYOUT
CONNECTOR SIDE (SCALE 4:1)



SECTION B-B

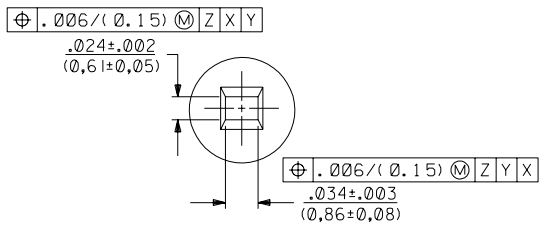


SECTION A-A
SEE NOTE 2 (SHEET 1)

NOTES:

- REFER TO PS-79058 PRODUCT SPEC. FOR ELECTRICAL, MECHANICAL AND ENVIRONMENTAL SPECIFICATIONS.
- MATERIAL:
RECEPTACLE HOUSING: GLASS FILLED LCP (LIQUID CRYSTAL POLYMER); COLOR-BLACK; UL 94V-0
CONTACTS: PHOSPHOR BRONZE
SHIELD: STEEL WITH BRIGHT TIN OVER NICKEL PLATING OVER COPPER FLASH.
GROUNDING CLIP: BRASS WITH TIN OVER NICKEL PLATE
- PACKAGING:
PARTS PACKAGED IN TUBES PER PK-70873-0207
- PLATING:
SELECTIVE GOLD: THICKNESS= 30 MICROINCHES/(0.76 MICROMETERS) MINIMUM.
SELECTIVE TIN: THICKNESS= 75 MICROINCHES/(1.90 MICROMETERS) MINIMUM.
NICKEL UNDERPLATE OVERALL.

NOTE FOR LEAD FREE CONVERSION:
THE PRIMARY SHIPPING CARTON WILL BE LABELED "COMPLIANT TO RoHS DIRECTIVE 2002/95/EC AND ELV ANNEX II OF DIRECTIVE 2000/53/EC". CARTONS WITHOUT THIS LABEL MAY CONTAIN PRODUCT WITH LEAD.



PIN WINDOW DETAIL
SCALE 10:1

LTR.	REVISIONS	LTR.	REVISIONS

DIMENSIONS SHOWN (METRIC) INCH	
5 PLACE ± .005	---
2 PLACE ± ---	± 0.15
1 PLACE ---	± ---

MFG. SH. REV.		REVISE ONLY ON CAD SYSTEM	
TITLE SCSI SHIELDED RECEPTACLE ASSEMBLY			
PART NO. MOLEX INCORPORATED L15LEJLL		SHEET NO. 2	DATE 08/14/89
DRAWN BY D.J.B.		CHK'D BY BOWEN	
APP'D BY D.J.B.		SCALE 8:1	
FILE NAME S79058A2		DIV. DC	