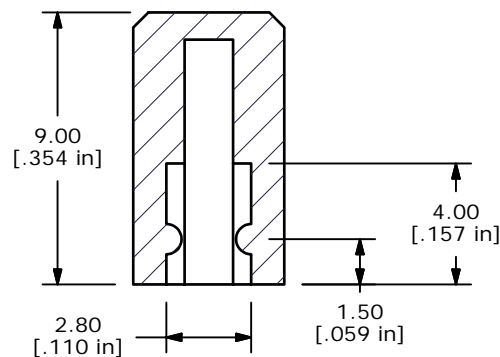
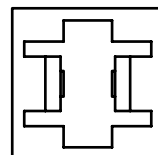


ISOMETRIC



SECTION A-A  
SCALE 4 : 1



NOTES:

1. ALL DIMENSIONS IN MM [INCH]
2. GENERAL TOLERANCE: X.XX=± 0.15
- ▲3. MATERIAL: ABS, UL94V0
- ▲4. COLOR: GRAY, PANTONE 423C
5. ▲ DENOTES CRITICAL PARAMETER.

**E-SWITCH®**

B	15251	REVISED DESCRIPTION	9/8/05	PH
A	15224	RELEASED FOR PRODUCTION	8/30/2005	PH
REV	PCR NO	DESCRIPTION	DATE	BY

TITLE 1SLGR				
SCALE 4:1	DATE 8/30/2005	DR PH	DWG Q800314	REV B

THE INFORMATION CONTAINED IN THIS DOCUMENT IS PROPRIETARY TO E-SWITCH AND IS NOT TO BE COPIED OR TRANSFERRED