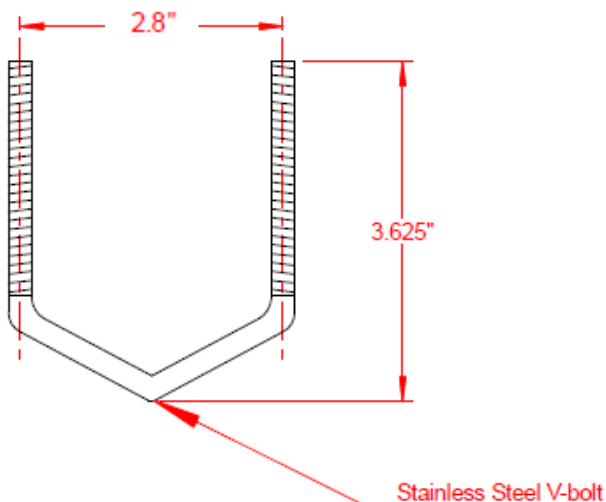
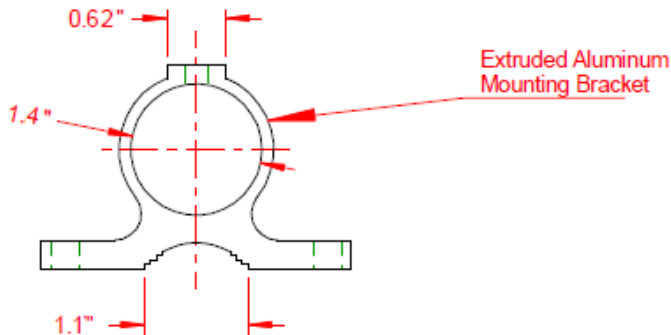
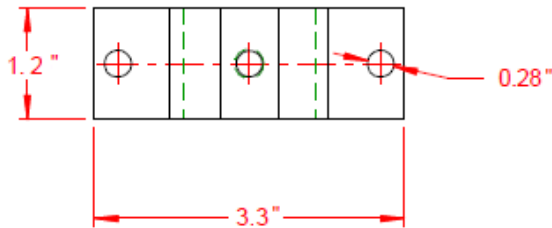


FM2 bracket
for reference only



**FM2 - MOUNTING
BRACKET**

Part No.	Description
FM2	1 pair of aluminum mounting brackets and u-bolt hardware
FM2SP	1 single aluminum mounting bracket and u-bolt hardware