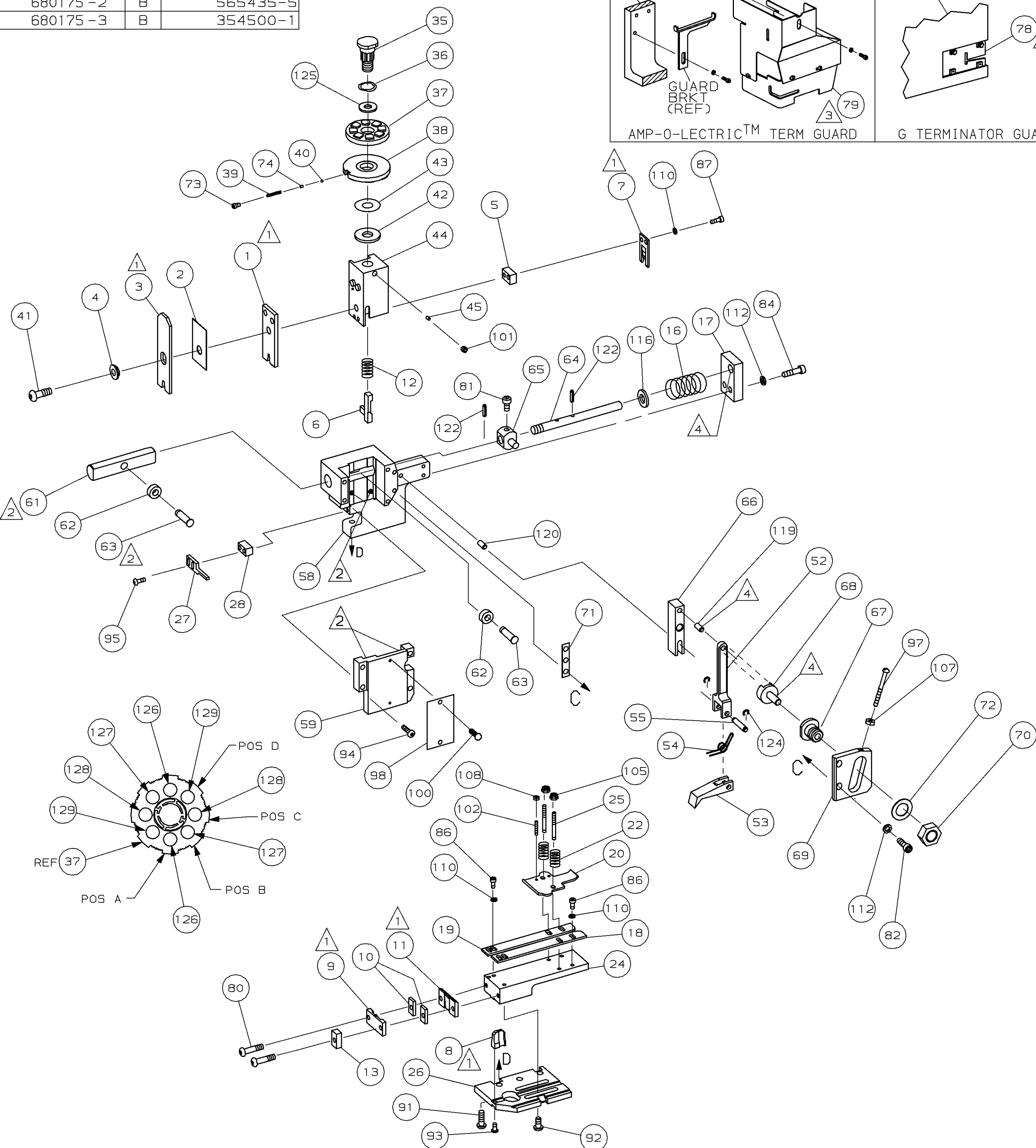
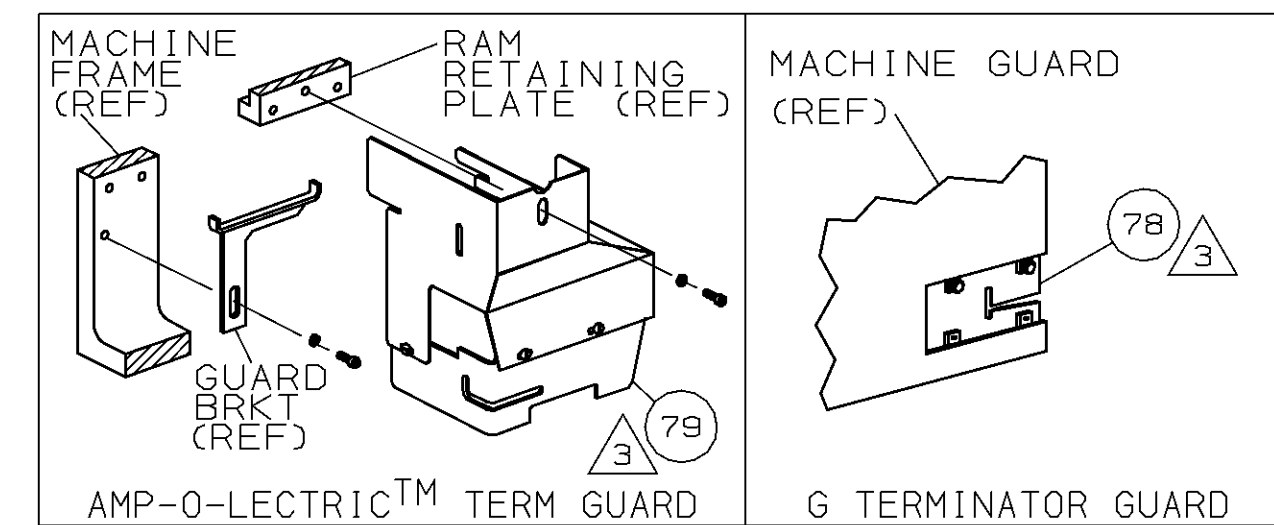


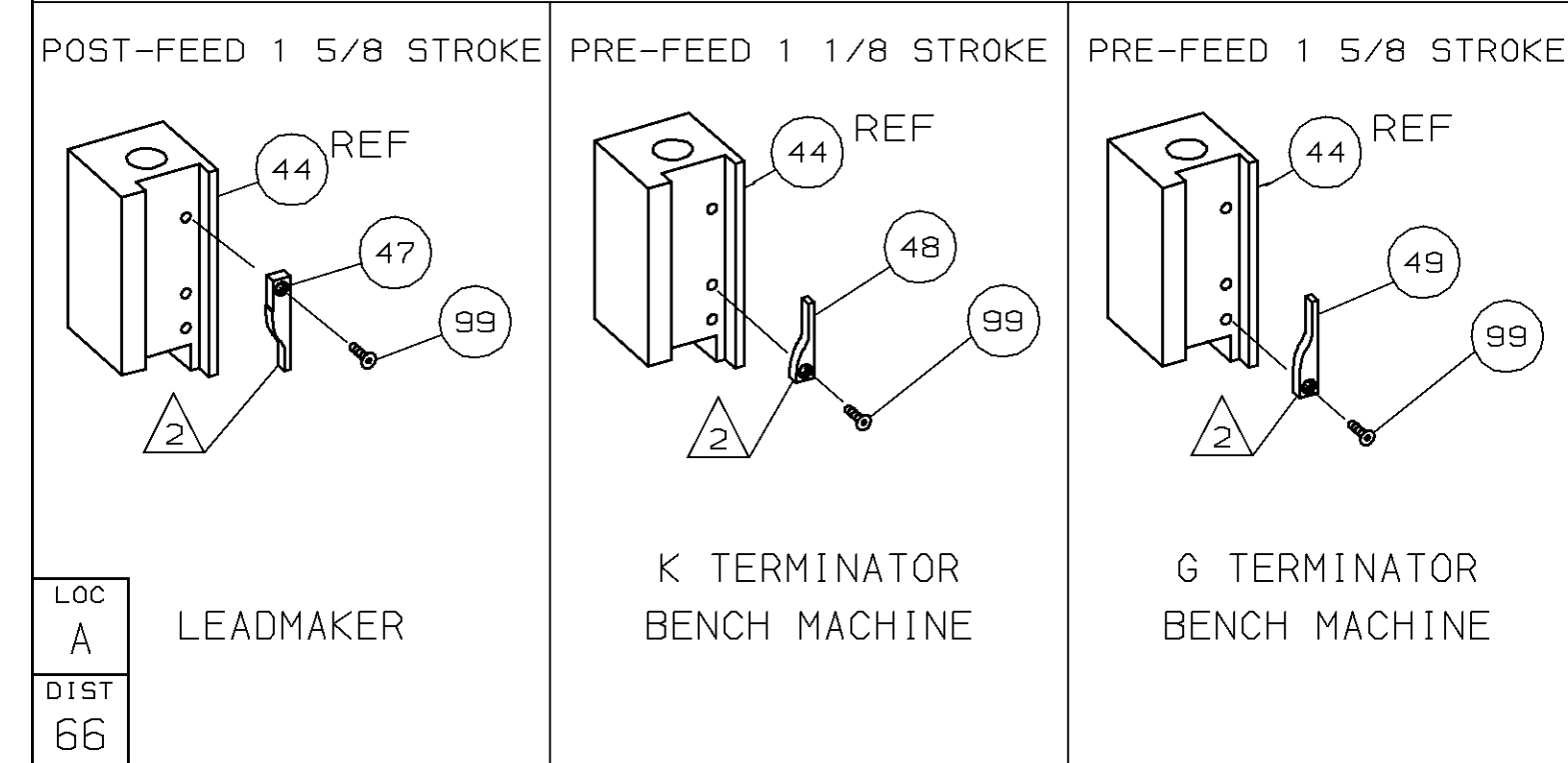
PART NUMBER	REV	FIRST USED
680175-1	B	122500-1
680175-2	B	565435-5
680175-3	B	354500-1



TERMINAL NAME: 5mm FASTIN-FASTON™ TAB				
144838				
CRIMPING DATA				
PAD LTR	CRIMP HEIGHT	WIRE SIZE		
A	.056 ±.002 [1.42 ±0.05mm]	1mm <sup>2</sup>		
B	.053 ±.002 [1.35 ±0.05mm]	(2)0.35mm <sup>2</sup>		
C	.051 ±.002 [1.29 ±0.05mm]	0.6mm <sup>2</sup>		
D	.047 ±.002 [1.19 ±0.05mm]	0.35mm <sup>2</sup>		
CRIMP	SIZE	TYPE	RANGE	
WIRE	.090 [2.31mm]	F	0.35mm <sup>2</sup> -1mm <sup>2</sup>	
INSUL	.130 [3.3mm]	F	1.3mm-2mm	
WIRE STRIP LENGTH	TERM APPL SPEC	FEED	APPL INSTRUCTION	SET UP GAGE LAYOUT
-	-	1.082	408-8039	458638-1 L1655

QTY	REQD	PER	ASSY	PART NO	DESCRIPTION	ITEM NO	
2	2	2	-	C	3-354779-6	PIN, WIRE DISC (.3170)D	129
2	2	2	-	C	2-354779-8	PIN, WIRE DISC (.3130)C	128
2	2	2	-	C	2-354779-2	PIN, WIRE DISC (.3100)B	127
2	2	2	-	C	1-354779-8	PIN, WIRE DISC (.3080)A	126
1	1	1	-	A	986950-1	WASHER, FLAT PRECISION	125
2	2	2	-	A	21045-3	RING, RET "C" (Ø.187)FD PIN	124
							123
2	2	2	-	A	5-21028-1	PIN, STD SPRING (Ø.12)FD ADJ ROD	122
							121
1	1	1	-	A	1-21030-7	PIN, DOWEL (Ø.187x1.50)HSG	120
1	1	1	-	A	1-21030-1	PIN, DOWEL (Ø.187x.50)LEVER	119
							118
							117
1	1	1	-	A	21899-4	WASHER, FLAT (Ø5/16) SCR ADJ	116
							115
							114
4	4	4	-	A	21024-5	WASHER, LOCK (NO.10)FD ROD GDE	112
6	6	6	-	A	21024-4	WASHER, LOCK (NO.8) SHEAR BL	110
							109
2	2	2	-	A	21018-4	NUT, HEX (4-40) DRAG	108
1	1	1	-	A	21018-5	NUT, HEX (6-32)FD ADJ PL	107
							106
2	2	2	-	A	21022-2	NUT, HEX SL (8-32)DRAG STUD	105
							104
							103
2	2	2	-	A	2-21006-6	SCR, SKT SET (4-40x.62)DRAG	102
1	1	1	-	A	21009-2	SCR, SKT SET (1/4-20x.25 )RAM	101
2	2	2	-	A	21017-2	SCR, DRIVE (#2x.19) ID PLATE	100
1	1	1	-	A	1-21002-7	SCR, BHC (6-32x.38) CAM	99
1	1	1	-	B	461264-1	PLATE, IDENTIFICATION	98
1	1	1	-	A	6-23715-5	SCR, PAN HD (6-32x1.50)FEED ADJ	97
							96
2	2	2	-	A	2-21002-2	SCR, BHC (8-32x.50) STRIPPER	95
4	4	4	-	A	2-21002-9	SCR, BHC (10-32x.75)HSG CAP	94
1	1	1	-	A	22733-8	SCR, BHC (8-32x.38 LW) ANVIL	93
4	4	4	-	A	3-21002-3	SCR, BHC (1/4-20x.50)ST GD PL	92
3	3	3	-	A	2-22733-8	SCR, BHC (1/4-20x.62)BASE PL	91
							90
							89
							88
2	2	2	-	A	2-21000-9	SCR, SHC (8-32x.75) SLUG BLADE	87
4	4	4	-	A	2-21000-6	SCR, SHC (8-32x.38) STRIP GUIDE	86
							85
2	2	2	-	A	3-21000-7	SCR, SHC (10-32x.75)FEED ROD GDE	84
							83
2	2	2	-	A	3-21000-6	SCR, SHC (10-32x.62)FEED ADJ PL	82
1	1	1	-	A	3-21000-4	SCR, SHC (10-32x.38)PIVOT BLOCK	81
2	2	2	-	A	3-21002-0	SCR, BHC (10-32x.88)SHEAR PL	80
-	REF	-	-	A	455745-1	GUARD, WINDOW	79
REF	-	-	-	A	679532-1	INSERT, GUARD	78
							77
							76
							75
1	1	1	-	A	690603-1	SPRING, ASSIST	74
1	1	1	-	A	23030-1	SCR, SKT CAP (6-32x.25)CP DSC	73
1	1	1	-	A	458109-1	WASHER, FLAT (SPECIAL)	72
1	1	1	-	A	690517-1	SPACER	71
-3	-2	-1	U/M	DWG SIZE	PART NO	DESCRIPTION	ITEM NO

QTY	REQD	PER	ASSY	PART NO	DESCRIPTION	ITEM NO	
1	1	1	-	A	22594-8	NUT, HEX	70
1	1	1	-	B	240628-1	PLATE, ADJ	69
1	1	1	-	B	240626-1	SHAFT, PIVOT	68
1	1	1	-	B	240633-1	BUSHING	67
1	1	1	-	A	455680-1	LEVER, INTERMEDIATE	66
1	1	1	-	B	240629-1	BLOCK, PIVOT	65
1	1	1	-	A	240632-2	SCR, ADJ	64
1	1	1	-	B	240659-3	PIN, CAM ROLLER	63
1	1	1	-	B	240658-1	CAM, ROLLER	62
1	1	1	-	B	454398-1	ROD, FEED	61
							60
1	1	1	-	C	454220-1	CAP, RAM	59
1	1	1	-	D	453736-1	HOUSING	58
							57
							56
1	1	1	-	B	240624-1	PIN, FEED FINGER	55
1	1	1	-	B	691499-1	SPRING, FEED FINGER	54
1	1	1	-	B	690626-5	FINGER, FEED	53
1	1	1	-	B	240634-1	LEVER, TERMINAL	52
							51
							50
1	-	-	-	B	690602-6	CAM, PRE-FEED 1 5/8 ST	49
-	1	-	-	B	690602-5	CAM, PRE-FEED 1 1/8 ST	48
-	-	1	-	B	690501-4	CAM, POST-FEED 1 5/8 ST	47
							46
1	1	1	-	A	690191-1	PLUG, NYLON	45
1	1	1	-	C	455674-1	RAM	44
1	1	1	-	A	690125-1	WASHER, LAMINATED	43
1	1	1	-	A	690124-1	WASHER, RAM	42
1	1	1	-	A	7-21002-9	BOLT, CRIMPER (5/16-24x1.00)	41
1	1	1	-	A	23241-6	BALL, STEEL	40
1	1	1	-	A	690170-1	SPRING, COMPRESSION	39
1	1	1	-	C	690142-1	DISC, INSULATION	38
1	1	1	-	D	354777-1	WIRE DISC, PLASTIC	37
1	1	1	-	A	22480-5	WASHER, SPRING	36
1	1	1	-	B	690212-1	POST, RAM	35
							34
							33
							32
							31
							30
							29
1	1	1	-	B	3-690451-2	SPACER, STRIPPER	28
1	1	1	-	A	240639-1	STRIPPER	27
1	1	1	-	C	455676-1	PLATE, BASE	26
2	2	2	-	A	22354-8	DRAG, STUD	25
1	1	1	-	B	455678-6	PLATE, STRIP GUIDE	24
							23
2	2	2	-	A	4-22281-1	SPRING, DRAG	22
							21
1	1	1	-	A	454177-1	DRAG, STOCK	20
1	1	1	-	B	4-458030-7	GUIDE, STRIP (REAR)	19
1	1	1	-	C	4-458031-7	GUIDE, STRIP (FRONT)	18
1	1	1	-	A	454178-1	GUIDE, FEED ROD	17
1	1	1	-	A	4-22284-9	SPRING, FEED RETURN	16
							15
							14
1	1	1	-	C	1-690481-0	SPACER, HOLD DOWN	13
1	1	1	-	A	23846-1	SPRING, HOLD DOWN	12
1	1	1	-	B	691901-2	PLATE, REAR SHEAR	11
2	2	2	-	C	1-240645-6	SPACER, SHEAR PLATE	10
1	1	1	-	B	690783-3	PLATE, FRONT SHEAR	9
1	1	1	-	D	5-240655-0	ANVIL	8
1	1	1	-	B	691157-3	BLADE, SLUG	7
1	1	1	-	D	3-455892-1	HOLD DOWN, TERMINAL	6
1	1	1	-	C	7-240641-7	SPACER, SLUG BLADE	5
1	1	1	-	B	238009-1	SPACER, BLOCK CRIMPER	4
1	1	1	-	C	1-456134-9	CRIMPER, INSULATION	3
1	1	1	-	B	455888-4	SPACER, CRIMPER	2
1	1	1	-	C	1-456406-6	CRIMPER, WIRE	1
-3	-2	-1	U/M	DWG SIZE	PART NO	DESCRIPTION	ITEM NO



- 1 RECOMMENDED SPARE PARTS.
- 2 GREASE LIGHTLY.
- 3 GUARD MUST BE IN PLACE WHEN OPERATING APPLICATOR IN A BENCH MACHINE.
- 4 LUBRICATE DAILY USING NO. 20 MACHINE OIL.

THIS DRAWING IS A CONTROLLED DOCUMENT FOR AMP INCORPORATED. IT IS SUBJECT TO CHANGE AND THE CONTROLLING ENGINEERING ORGANIZATION SHOULD BE CONTACTED FOR THE LATEST REVISION.

THIS INFORMATION IS CONFIDENTIAL AND IS DISCLOSED TO YOU ON CONDITION THAT NO FURTHER DISCLOSURE IS MADE BY YOU TO OTHER THAN AMP PERSONNEL WITHOUT WRITTEN AUTHORIZATION FROM AMP INCORPORATED, HARRISBURG, PA.

REVISION OF EACH ASSY NO (WHEN BLANK, USE DWG REVISION)

QTY	REQD	PER	ASSY	PART NO	DESCRIPTION	ITEM NO	
-3	-2	-1	U/M	DWG SIZE	PART NO	DESCRIPTION	ITEM NO

REVISION RECORD

REV	DATE	BY	DESCRIPTION
B	0150-6987-96	TB	7-96
A	REVISED	MO	9-95

REMOVE BURRS, BREAK SHARP EDGES R.015 MAX

MATL: - HT TR: - FIN: -

DR: R.O. WILSON 6/9/95 APP: T. BEDDICK 6/15/95

CHK: C. ERISMAN 6/13/95 REL: B. MORGAN 10/6/95

NAME: END FEED HDM APPLICATOR MACHINE REF: MINI APPL

SCALE: - DWG NO: 680175 SHEET: 1 OF 1 REV: B