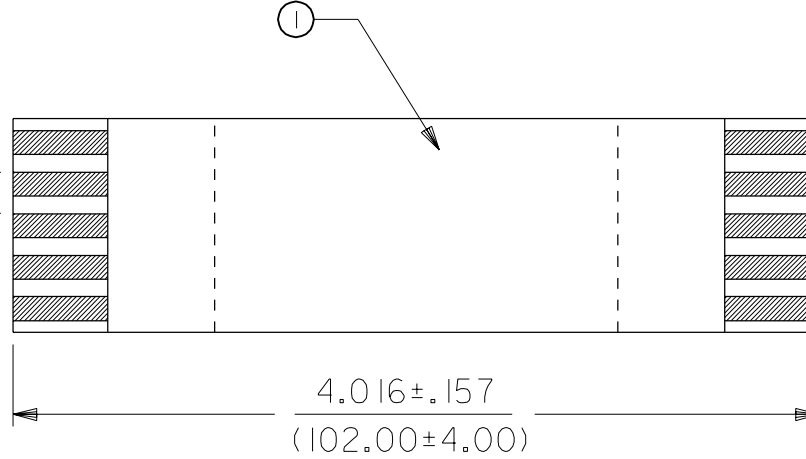
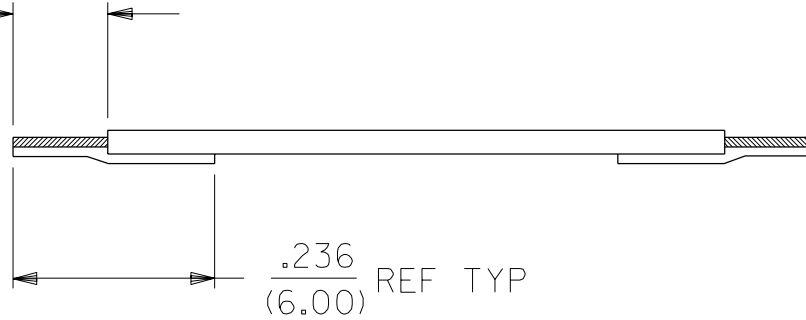


ITEM	DESCRIPTION	P/N	QTY	CKT. SIZE	TEMP. RATING
①	CABLE	21020-0547	4.016"	50	L

$\frac{.020 \pm .004}{(0.50 \pm 0.10)}$



$\frac{.157 \pm .039}{(4.00 \pm 1.00)}$ TYP



NOTE:

NO PRINTING TO BE ALLOWED ON CABLE

REF. PRODUCT SPEC. NO. SMPS-21020

DIMENSIONS SHOWN (METRIC) INCH

UNLESS OTHERWISE SPECIFIED TOLERANCES: ANGULAR ± 1/2°

	INCH	METRIC
3 PLACE	± .005	---
2 PLACE	± .01	± 0.13
1 PLACE	---	± 0.25

DRAFT WHERE APPLICABLE MUST REMAIN WITHIN DIMENSIONS

$\nabla = 0$ $\blacktriangledown = 0$

REVISE ONLY ON CAD SYSTEM

TITLE
0.5 mm \varnothing FFC JUMPER
STYLE TYPE "A"
PDR UAU-000966-00-00

MOLEX INCORPORATED
LISLE, ILL. 60532 U.S.A.
SHEET NO. 1 OF 1 DATE 02/07/10

PART NO. 21020-0547 DRWG. NO. 21020-0547

FILE NAME 21020-0547_S01
THIS DRAWING CONTAINS INFORMATION THAT IS PROPRIETARY TO MOLEX INC. AND SHOULD NOT BE USED WITHOUT WRITTEN PERMISSION.
DIV. AU SIZE A

A FINAL RELEASE
ECN UAU2003-0001
DEME0 02/07/10

LTR. REVISIONS LTR. REVISIONS

DRWG. BY DRD CHK'D. BY TGP
APP'D. BY RLM SCALE -- : --