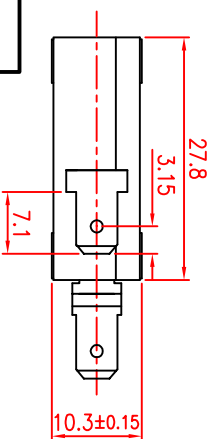


Conform to SP9335
Products with terminal contacts bifurcated see SP9312 00



2009.09.07 **C** 500,000 → 1,000,000
SP931210 → SP930820

2009.07.06 **B** BASIC VSD STANDARD
CONFORM TO SP9335(FORCE Max.400gf)
Customer: ECOWATER

TITLE	MICRO SWITCH	DRAWN	J.YANG	2007.06.04	SCALE	UNLESS SPECIFIED
DESC	SP930820	CHECKED	O.MOU	2007.06.04	UNIT	mm
DRAW NO.	83261103	APPROVED	JESPOSITO	2007.06.04	MORE THAN 50	±0.25
REVISION	C FORMAT A4	FOLIO	1/1	ANGLE	±3°	



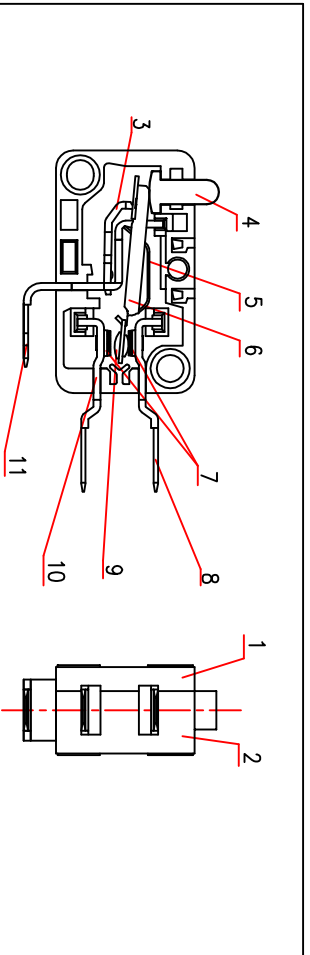
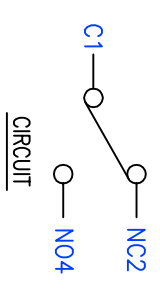
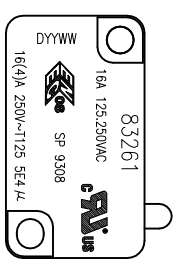
Department: C.A.C
DongGuan

This document is the property of Crouzet-Automatismes. It's contents cannot be reproduced or divulged without the company's written approval. The product data and specifications found on this document do not constitute any contractual obligation. Crouzet-Automatismes and its subsidiaries reserve the right to modify the specifications. All rights of reproduction, modification, reprinting, and translation reserved for all countries.

ITEM	Standards
OF Operating Force	400gf Max.
RF Release Force	80gf Min.
OP Operating Position	14.5+/-0.3mm
DI Differential Travel	0.4mm Max.
RP Rest Position	16.2mm Max.
TTP Total Travel Position	13.2mm Max.

Number	Ampere	OF(gf)
1	16	200
3	16	100
5	5	25
8	0.1	100
9	0.1	25

Load	16A 125.250V AC
Insulation Resistance	100M Min.
Service Life	Mechanical 1,000,000 A Electrical 50,000
Dielectric Strength 50-60HZ	1000VAC Between terminals
	1500VAC Between terminals and ground



NO.	PARTS	MATERIAL	QTY.	FINISHING
1	COVER	RNITE FR 530L	1	BLUE
2	HOUSE	RNITE FR 530L	1	BLACK
3	FIXED PLATE	C2680R-H	1	Ag PLATED
4	SPECIAL KNOB(70770094)	RNITE FR 530L	1	BLUE
5	SPRING PLATE(70770086)	SUS301-3/4H	1	NATURAL
6	MOVABLE PLATE	C5191R-EH	1	Ag PLATED
7	TERMINAL NO/NC CONTACT BIFURCATED	C2680R-H	2	NATURAL
8	MOVABLE PLATE	AgNi10	1	NATURAL
9	MOVABLE PLATE CONTACT	AgNi10	1	NATURAL
10	NO4 TERMINAL	C2680R-H	1	NATURAL
11	C1 TERMINAL	C2680R-H	1	Ag PLATED