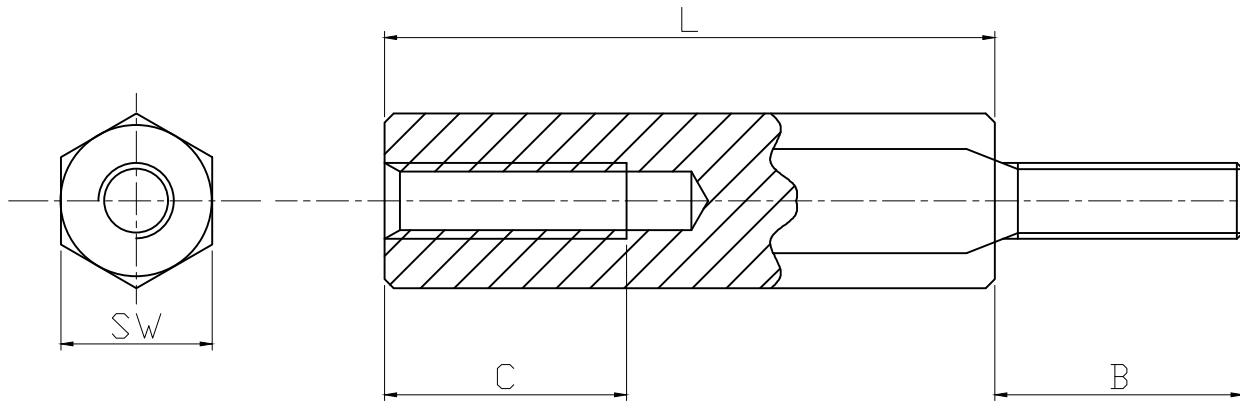



RoHS compliant



Width across flat(SW)5
Thread M2.5
nickel plated

Option	Dimensions		
	L	B	C min
A	5	6	2.5
B	8	6	5
C	10	6	6
D	12	6	6
E	15	6	6
F	18	6	6
G	20	6	6
H	25	6	6
K	30	6	6

Scale	1:1					Date	Name	Customer-No.
TOLERANCE						Drawn	20.08.2009	Dean
X.	±X					Approved	20.08.2009	Andy
X.X	±X							
X.XX	±X							
DIM	TOL							
X.°	±X°							
X.X°	±X°	①	Drawn	20.08.2009	Dean			
Angle	TOL	Id.	Modification	Date	Name			

ASSMANN WSW-No.		V6622x
Drawing-No.		
ASS 0493 HS	rev01	
Replace	Sheet	