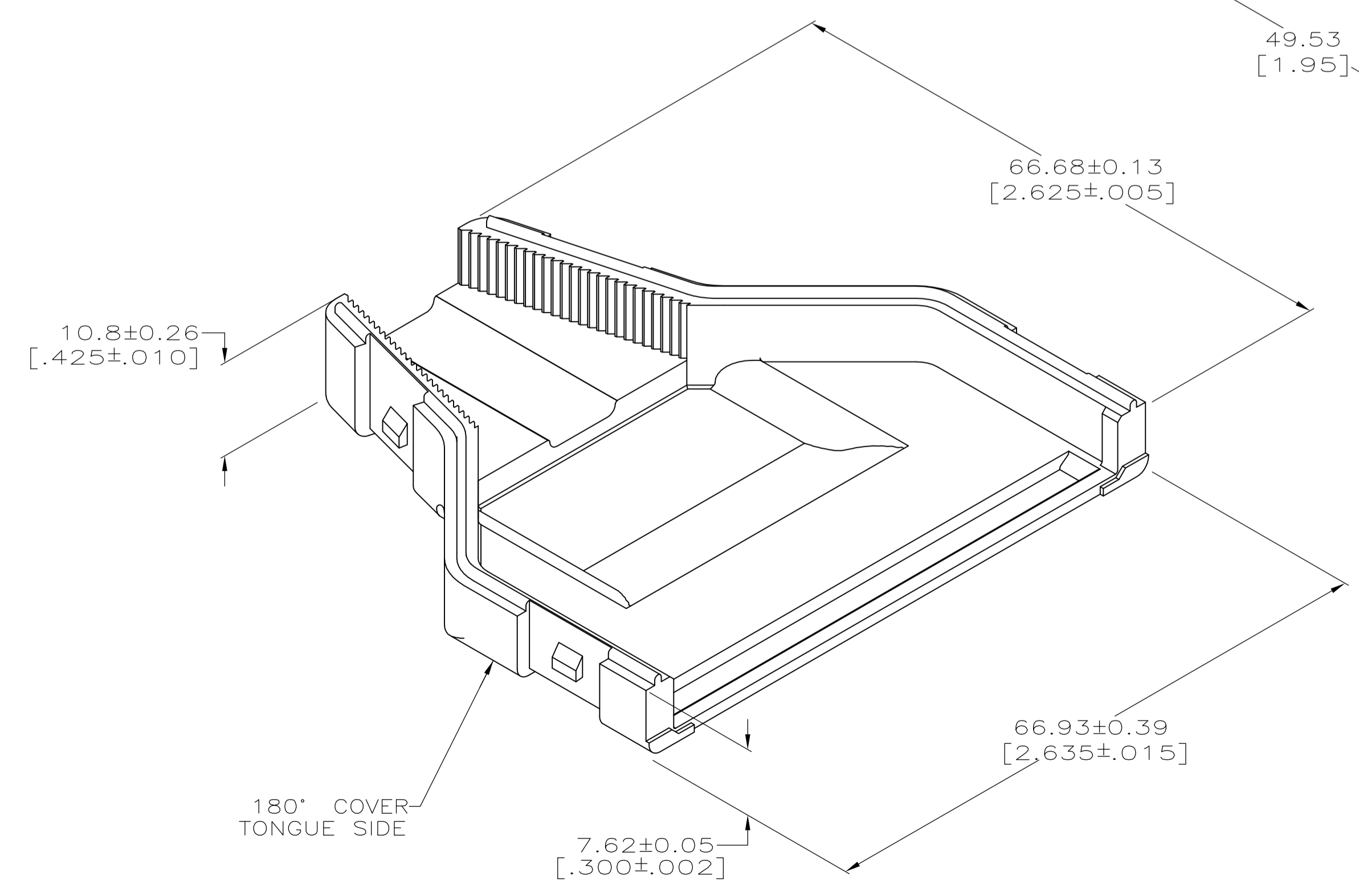
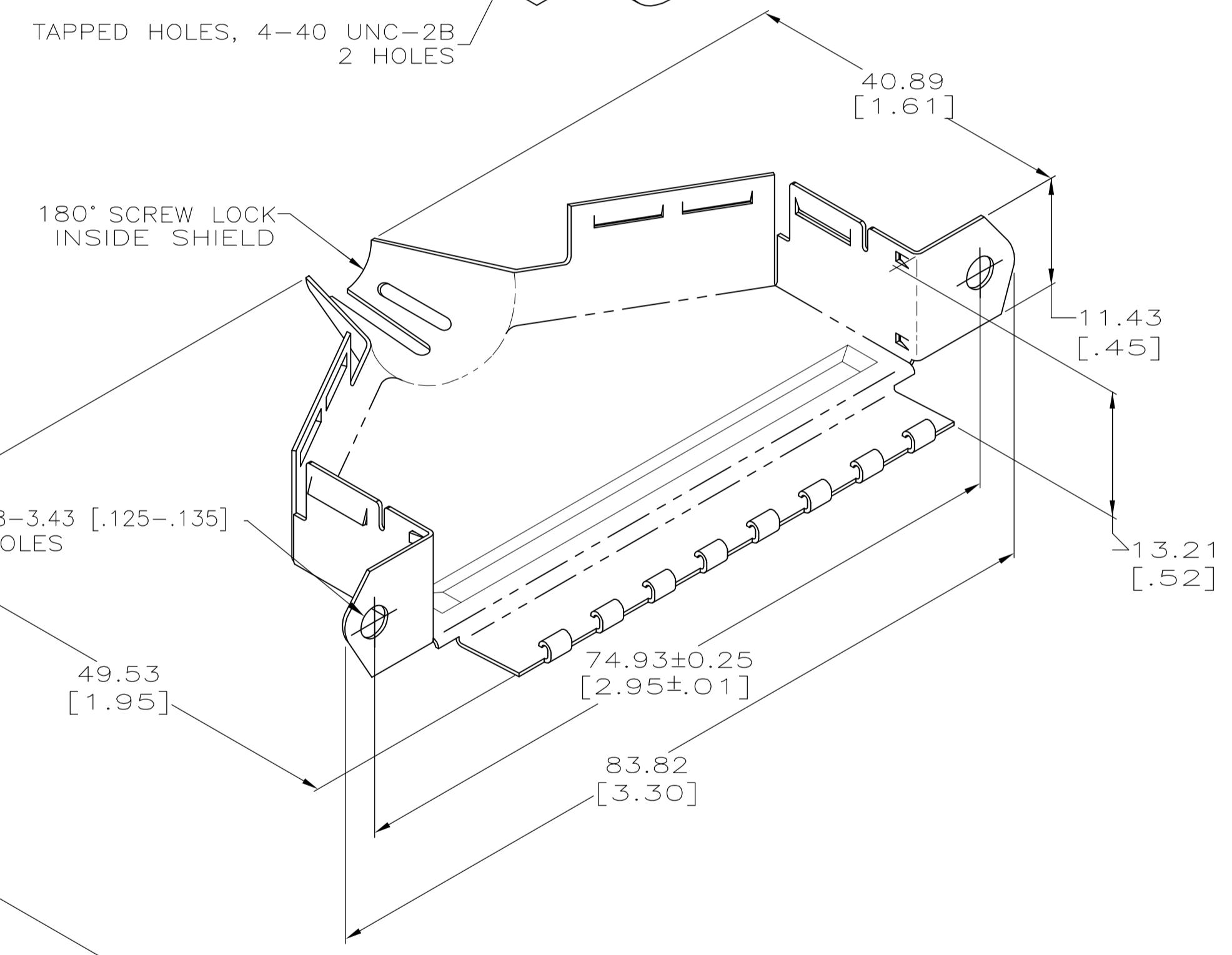
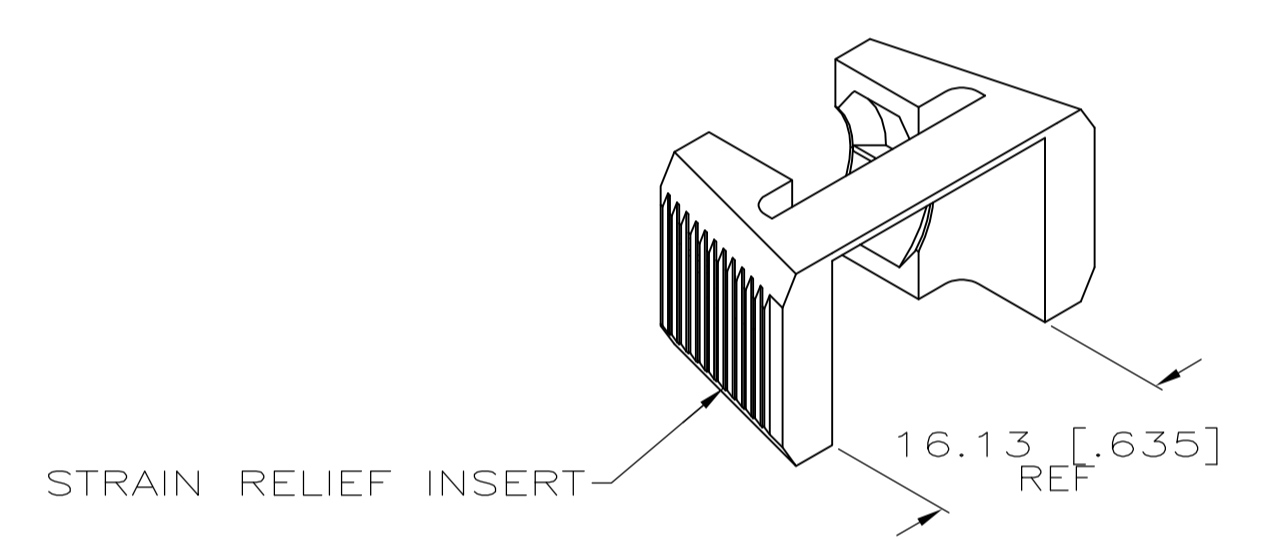
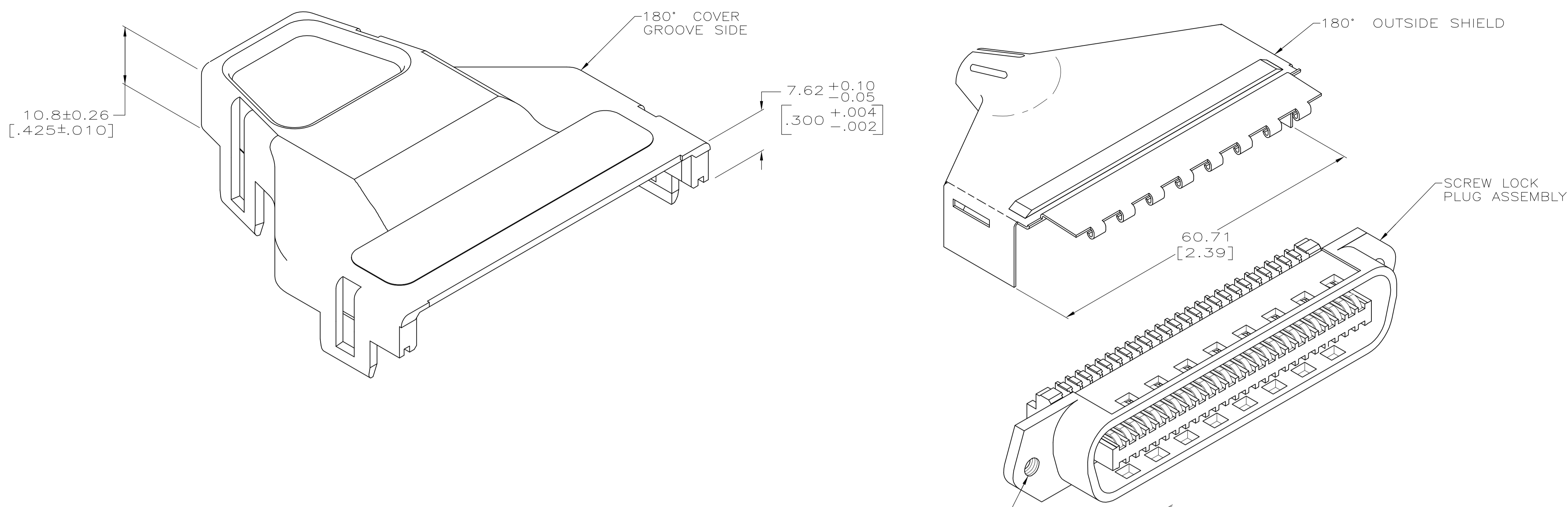


LOC		DIST		REVISIONS			
GP	00	REV	DATE	BY	CHK	APPV	
E		REVISED PER ECO-09-010043	11MAY2009	CR	PR		



- THIS KIT SHIPPED NOT ASSEMBLED.
- ⚠ MATERIAL: SHIELDS - BRIGHT NICKEL PLATED CARBON STEEL.  
 PLUG HOUSING - POLYPHENYLENE OXIDE, BLACK.  
 TERMINAL - HIGH STRENGTH COPPER ALLOY PLATED WITH EITHER 0.76µm [.000030] MIN GOLD OR GOLD FLASH OVER PALLADIUM NICKEL PLATE, 0.76µm [.000030] MIN TOTAL ON MATING SURFACE, 1.27µm [.000050] MIN NICKEL UNDERPLATE OVER ENTIRE TERMINAL.  
 STRAIN RELIEF - POLYPROPYLENE, BLACK.
- CABLE RANGE: Ø6.35-12.7 [.250-.500].
- CENTER-TO-CENTER SPACING OF TERMINALS 2.16 [.085] NOMINAL.
- ⚠ WIRE SIZE: 24 OR 26 AWG SOLID OR 24 AWG 7 STRANDS OF COPPER CONDUCTORS. MAXIMUM INSULATION DIAMETER OF 1.14 [.045] IS ACCEPTABLE FOR MOST APPLICATIONS.
- ⚠ DIMENSIONS ARE MAXIMUM UNLESS OTHERWISE SPECIFIED.
- BULK PACKAGED 100 KITS PER BOX.

AS SHOWN	1368365-1
DESCRIPTION	PART NUMBER

THIS DRAWING IS A CONTROLLED DOCUMENT.		DL DRUMMOND 19MAR2003		Tyco Electronics Corporation Harrisburg, PA 17105-3608	
DIMENSIONS: mm [INCHES]		TOLERANCES UNLESS OTHERWISE SPECIFIED:		DL DRUMMOND 19MAR2003	
0 PLC ± -		1 PLC ± 0.2		RP MCCRAW 19MAR2003	
1 PLC ± 0.2		2 PLC ± 0.25		NAME	
2 PLC ± 0.25		3 PLC ± -		PRODUCT SPEC	
3 PLC ± -		4 PLC ± -		APPLICATION SPEC	
4 PLC ± -		ANGLES ± 3°		SIZE	
MATERIAL		FINISH		CAGE CODE	
⚠		⚠		DRAWING NO	
				RESTRICTED TO	
				WEIGHT	
				A1 00779 C=1368365	
				CUSTOMER DRAWING	
				SCALE 2:1	
				SHEET 1 OF 1	
				REV E	