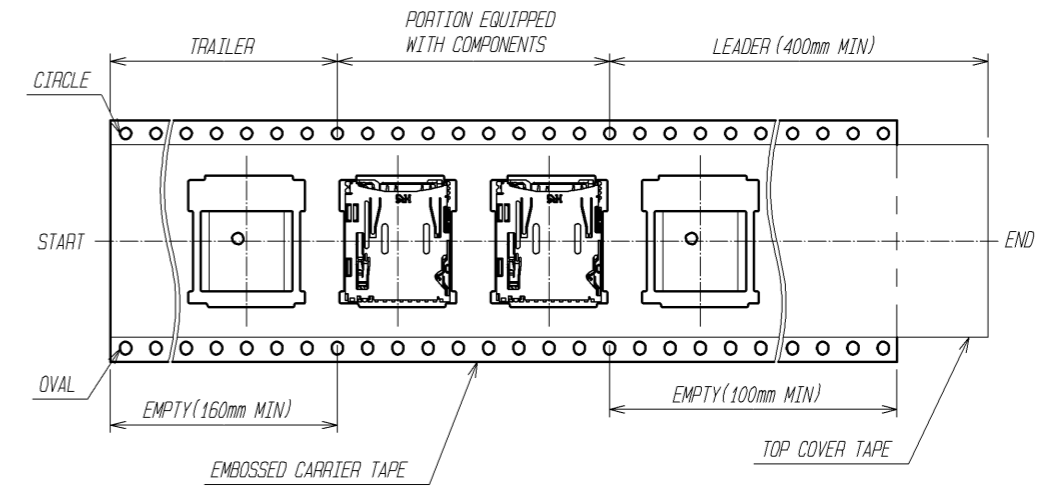
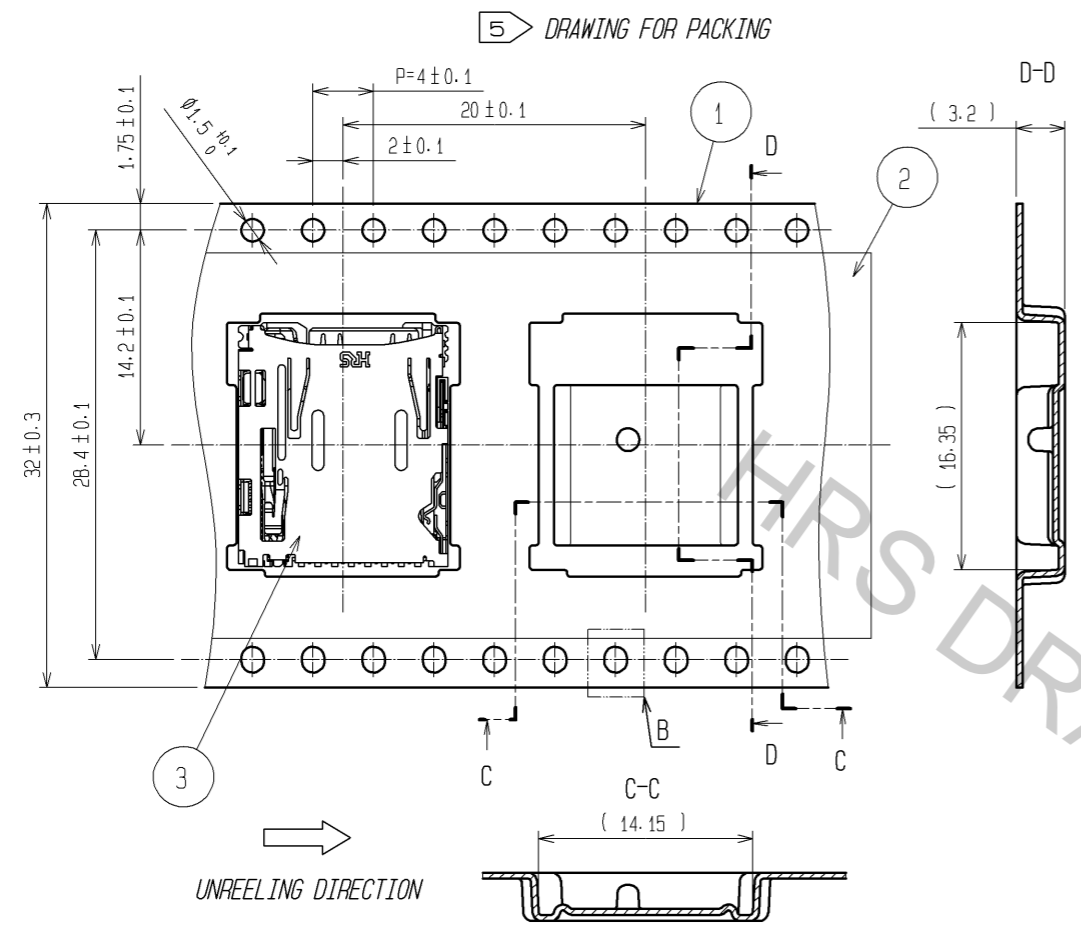
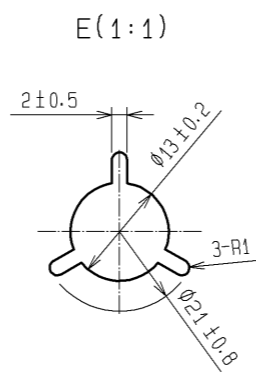
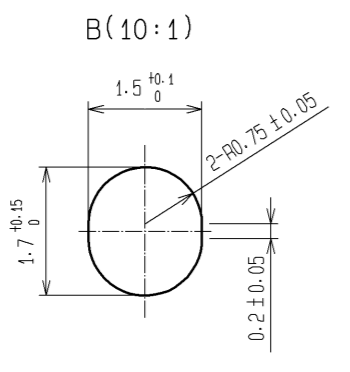
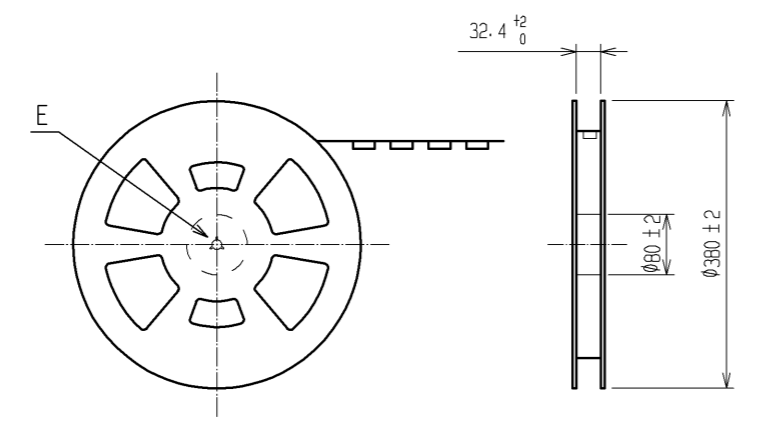


NO.	MATERIAL	FINISH	REMARKS	NO.	MATERIAL	FINISH	REMARKS
4	STAINLESS STEEL						
3	STAINLESS STEEL		MOUNTING AREA Ni0.5μm+Au0.03μm	8	STAINLESS STEEL		
2	PHOSPHOR BRONZE		CONTACT AREA Ni3μm+Au0.1μm	7	STAINLESS STEEL		
1	LCP	BLACK	UL94V-0	5, 6	PHOSPHOR BRONZE		CONTACT AREA Ni1.5μm+Au0.1μm
							MOUNTING AREA Ni1.5μm+Au0.03μm

UNITS	SCALE	COUNT	DESCRIPTION OF REVISIONS	DESIGNED	CHECKED	DATE
mm	FREE	△				
APPROVED : HS. OKAWA			10.11.16	DRAWING NO. EDC3-331612-01		
CHECKED : NH. SUGITA			10.11.16	PART NO. DM3AT-SF-PEJ2M5		
DESIGNED : TY. EDAGAWA			10.11.15	CODE NO. CL609-0033-6-00		
DRAWN : TY. EDAGAWA			10.11.15	1/2		



DETAIL OF REEL (1:10)



NOTE. 5 DRAWING TYPE: TAPE AND REEL. 1500PCS PER REEL.
 6 PLEASE REFER TO TECHNICAL SPECIFICATION : ETAD-F0345
 DM3AT SERIES PRODUCT INFORMATION AND HANDLING INSTRUCTIONS
 FOR THE HANDLING OF THE PRODUCT.

NO.	MATERIAL	FINISH	REMARKS
3	(CONNECTORS)		
2	POLYESTER		
1	PS		

UNITS	SCALE	COUNT	DESCRIPTION OF REVISIONS	DESIGNED	CHECKED	DATE
mm	2 : 1	△				
APPROVED : HS. OKAWA			10.11.16	DRAWING NO. EDC3-331612-01		
CHECKED : NH. SUGITA			10.11.16	PART NO. DM3AT-SF-PEJ2M5		
DESIGNED : TY. EDAGAWA			10.11.15	CODE NO. CL609-0033-6-00		
DRAWN : TY. EDAGAWA			10.11.15	△ 2/2		