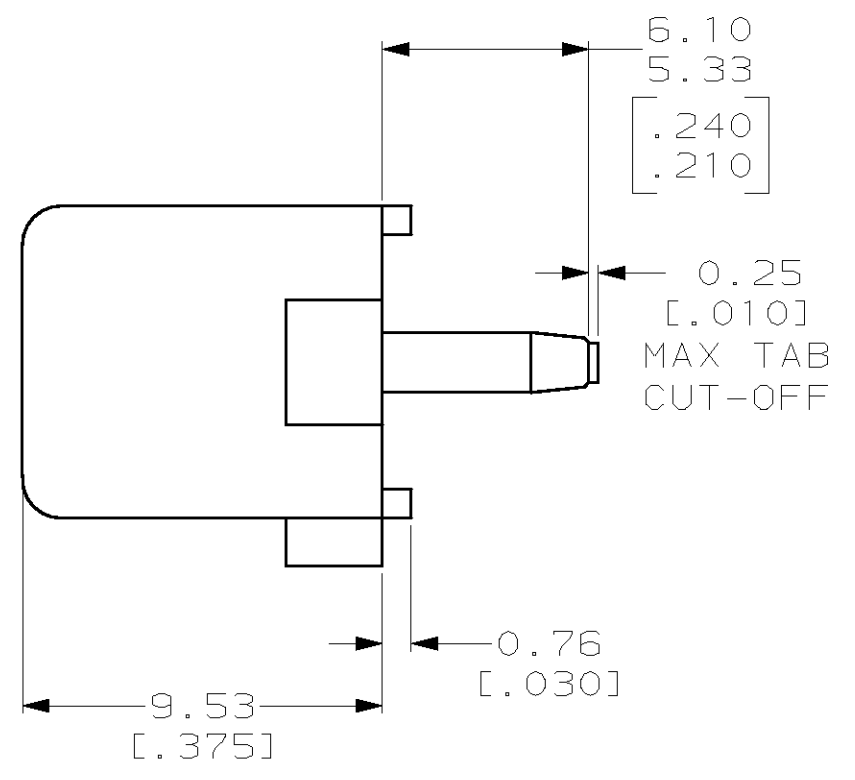
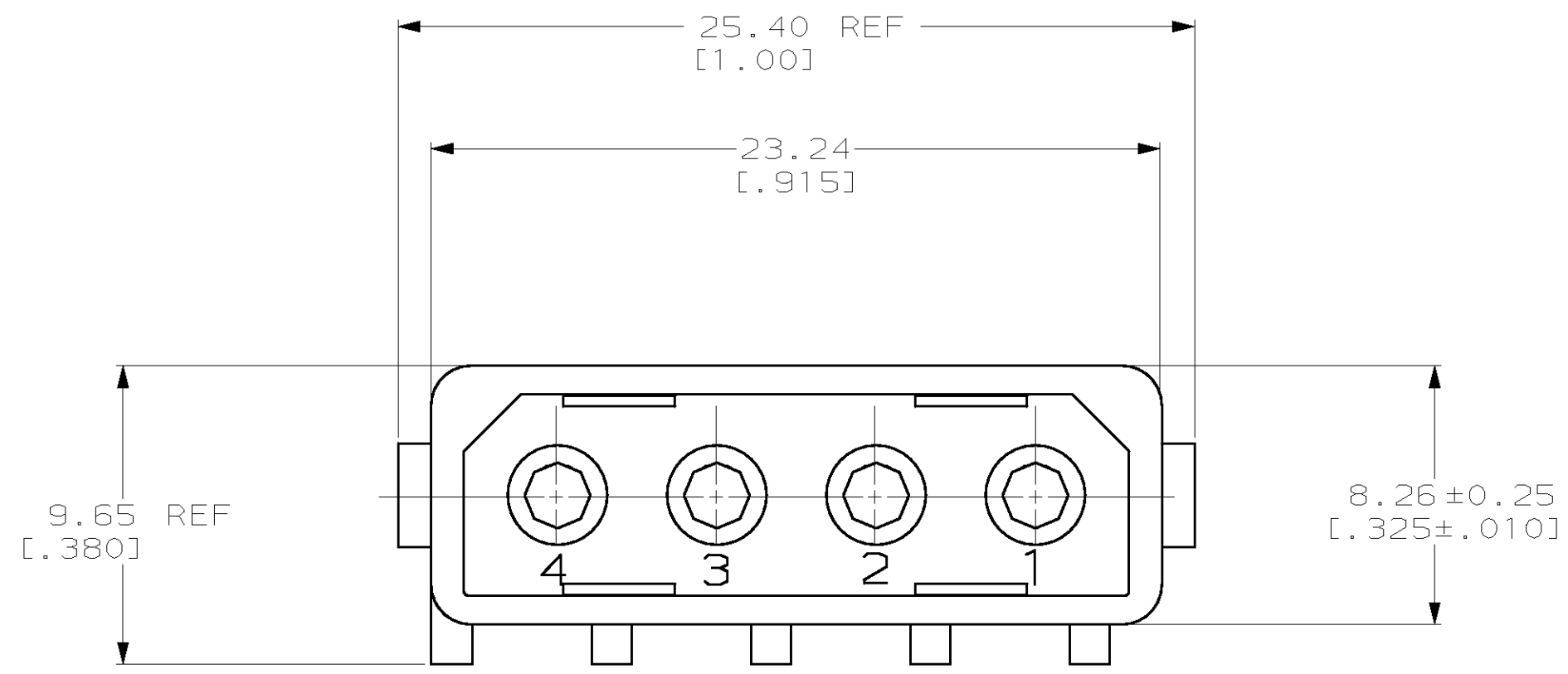
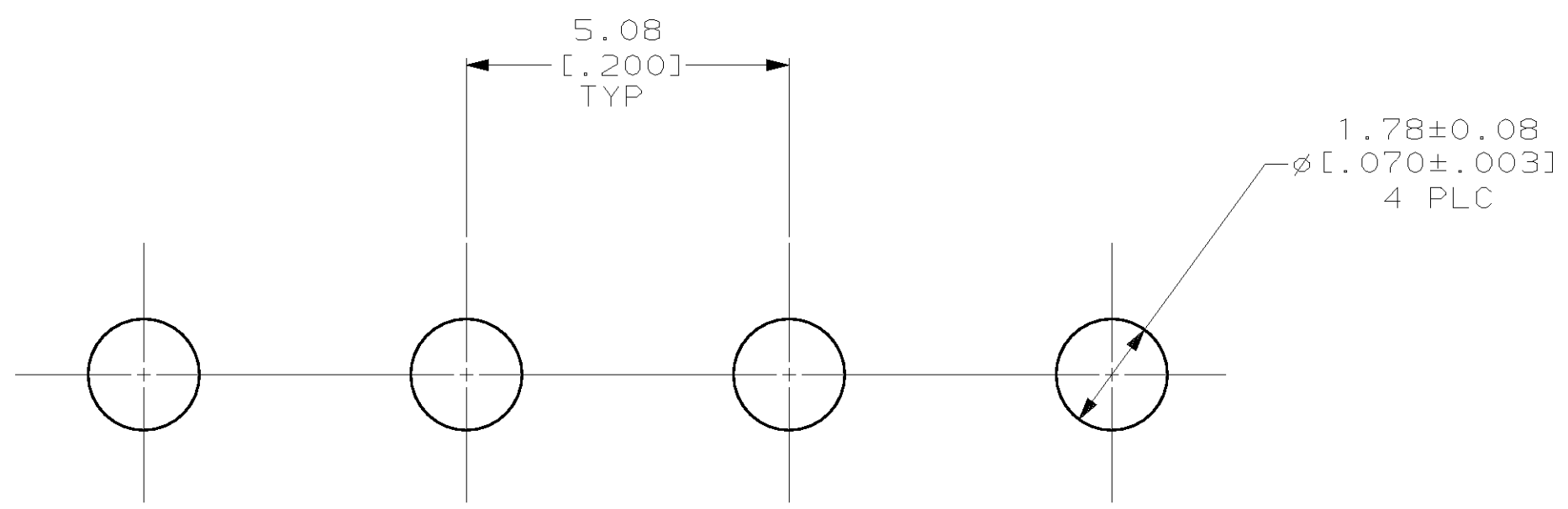


THIS DRAWING IS UNPUBLISHED. RELEASED FOR PUBLICATION .19
 (C) COPYRIGHT 19 BY AMP INCORPORATED. ALL RIGHTS RESERVED.

REVISONS				DATE	DWN	APVD
LOC	QTY	P	LTR	DESCRIPTION		
CM	53			0 RLSD PER PR CM99-8	03-FEB-99	KW RS



- PARTS MUST COMPLY WITH AMP SOLDERABILITY SPECIFICATION 109-11-3.
- DIMENSIONS IN BRACKETS ARE IN INCHES.



RECOMMENDED P.C. BOARD LAYOUT
 FOR 3.18 [.125] THICK P.C. BOARD
 SCALE 10:1

METRIC

PH BRZ, PRE-TIN	NYLON, UL94V-0, WHITE	794431-1
PIN CONTACT MATERIAL & FINISH	HOUSING MATERIAL & COLOR	PART NUMBER

THIS DRAWING IS A CONTROLLED DOCUMENT FOR AMP INCORPORATED. IT IS SUBJECT TO CHANGE AND THE CONTROLLING ENGINEERING ORGANIZATION SHOULD BE CONTACTED FOR THE LATEST REVISION.		DWN K. WHITAKER 03-FEB-1999 CHK R. SWING 03-FEB-1999 APVD C. MARTIN 03-FEB-1999	AMP AMP Incorporated Harrisburg, PA 17105-3608
DIMENSIONS: mm (INCHES)	TOLERANCES UNLESS OTHERWISE SPECIFIED: 0 PLC ±- 1 PLC ±- 2 PLC ±0.13(.005) 3 PLC ±- 4 PLC ±- ANGLES ±0°30'	PRODUCT SPEC APPLICATION SPEC	HEADER ASSEMBLY, 4 CIRCUIT, COMMERCIAL MATE-N-LOK™
MATERIAL SEE TABLE	FINISH SEE TABLE	WEIGHT -	SIZE A2 CAGE CODE 00779 DRAWING NO. C-794431
CUSTOMER DRAWING			SCALE 5:1 SHEET 1 OF 1 REV 0