

THIS DRAWING IS UNPUBLISHED.

RELEASED FOR PUBLICATION

© COPYRIGHT - By -

ALL RIGHTS RESERVED.

LOC
FT

DIST
0

REVISIONS

| P | LTR | DESCRIPTION | DATE | DWN | APVD |
|----|-----|---------------------------|---------|-----|------|
| B1 | | REVISED PER ECO-11-004820 | 11MAR11 | RK | HMR |

NOTES:

MATERIAL:

TERMINAL BLOCK: POLYAMIDE 66, UL94V-0, BLACK.
 TERMINAL: BRASS, TIN PLATED.
 SCREW: M3 STEEL, NICKEL PLATED W/ WIRE CLAMP.

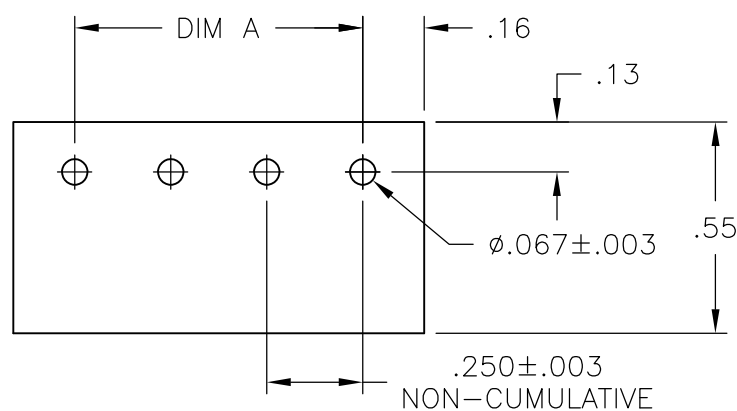
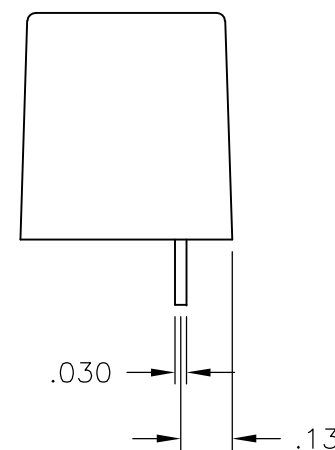
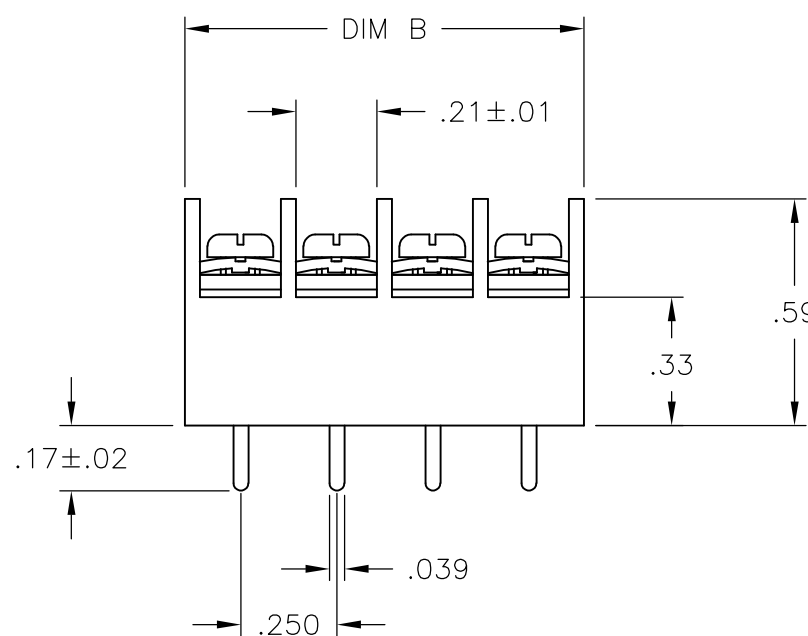
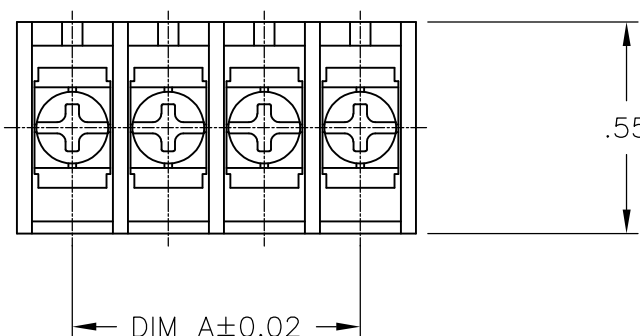
ELECTRICAL:

CURRENT RATING: 10A, 300V
 INSULATION WITHSTANDS: 2000V, MIN
 INSULATION RESISTANCE: >2000MEGA OHM, 500V

MECHANICAL:

WIRE RANGE: 16-30AWG
 RECOMMENDED TORQUE: 10 IN-LB
 OPERATION TEMP: -40°C TO 105°C

UL RECOGNIZED PER US & CANADIAN STANDARDS.



RECOMMENDED PCB LAYOUT

| DIM B | DIM A | PART NUMBER |
|-------|-------|-------------|
| 7.54 | 7.250 | 3-1546657-0 |
| 7.29 | 7.000 | 2-1546657-9 |
| 7.04 | 6.750 | 2-1546657-8 |
| 6.79 | 6.500 | 2-1546657-7 |
| 6.54 | 6.250 | 2-1546657-6 |
| 6.29 | 6.000 | 2-1546657-5 |
| 6.04 | 5.750 | 2-1546657-4 |
| 5.79 | 5.500 | 2-1546657-3 |
| 5.54 | 5.250 | 2-1546657-2 |
| 5.29 | 5.000 | 2-1546657-1 |
| 5.04 | 4.750 | 2-1546657-0 |
| 4.79 | 4.500 | 1-1546657-9 |
| 4.54 | 4.250 | 1-1546657-8 |
| 4.29 | 4.000 | 1-1546657-7 |
| 4.04 | 3.750 | 1-1546657-6 |
| 3.79 | 3.500 | 1-1546657-5 |
| 3.54 | 3.250 | 1-1546657-4 |
| 3.29 | 3.000 | 1-1546657-3 |
| 3.04 | 2.750 | 1-1546657-2 |
| 2.79 | 2.500 | 1-1546657-1 |
| 2.54 | 2.250 | 1-1546657-0 |
| 2.29 | 2.000 | 1546657-9 |
| 2.04 | 1.750 | 1546657-8 |
| 1.79 | 1.500 | 1546657-7 |
| 1.54 | 1.250 | 1546657-6 |
| 1.29 | 1.000 | 1546657-5 |
| 1.04 | .750 | 1546657-4 |
| .79 | .500 | 1546657-3 |
| .54 | .250 | 1546657-2 |

THIS DRAWING IS A CONTROLLED DOCUMENT.

| | |
|-----------------------|----------------------------------------|
| DIMENSIONS: INCHES | TOLERANCES UNLESS OTHERWISE SPECIFIED: |
| | 0 PLC ± - |
| | 1 PLC ± - |
| | 2 PLC ± .02 |
| | 3 PLC ± .005 |
| | 4 PLC ± - |
| | ANGLES ± - |
| MATERIAL | FINISH |
| - | - |

| | | |
|------------------|------------|---------|
| DWN | S SCHLEGEL | 30MAY03 |
| CHK | S YODER | 5/30/03 |
| APVD | S YODER | 5/30/03 |
| PRODUCT SPEC | - | |
| APPLICATION SPEC | - | |
| WEIGHT | - | |
| CUSTOMER DRAWING | | |

| | | | |
|---------------------------------------------------------------|-----------|------------|---------------|
| TE Connectivity | | | |
| NAME TERMINAL BLOCK, .250 PITCH, DUAL BARRIER PCV STYLE | | | |
| SIZE | CAGE CODE | DRAWING NO | RESTRICTED TO |
| A3 | 00779 | C-1546657 | - |
| SCALE | | SHEET | REV |
| 2:1 | | 1 OF 1 | B1 |