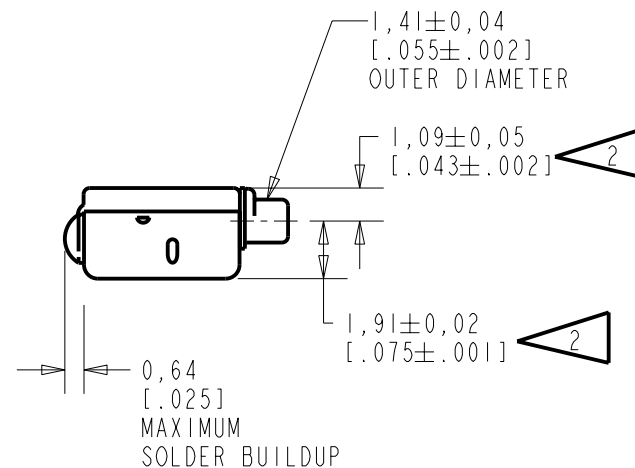
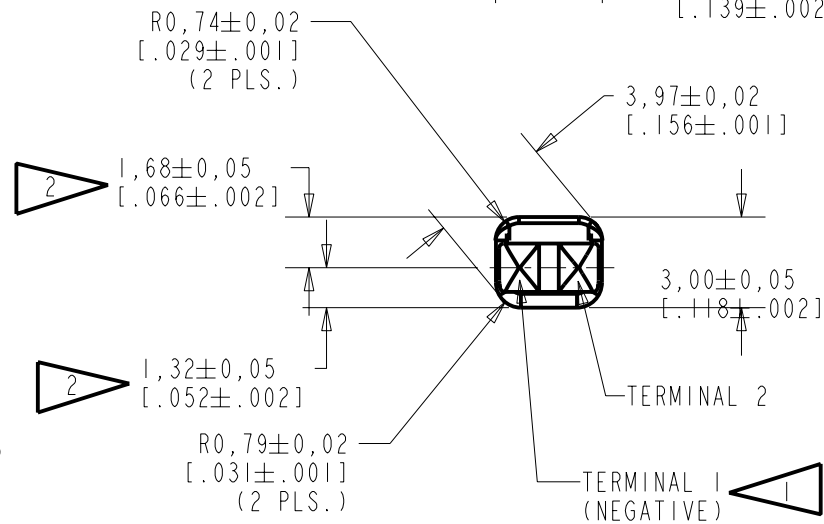
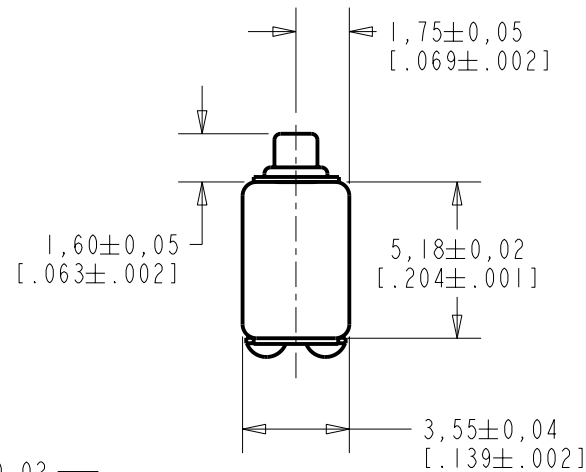


FC-26033-000

SHT 1.1

NOTES:

- 1 A POSITIVE GOING VOLTAGE AT TERMINAL 2, RELATIVE TO TERMINAL 1, CAUSES A DECREASE IN PRESSURE AT THE SOUND OUTLET.
- 2 LOCATED FROM TWO SURFACES FOR CUSTOMER CONVENIENCE. ONLY APPLICABLE FROM ONE SURFACE, NOT TO BE USED TOGETHER.



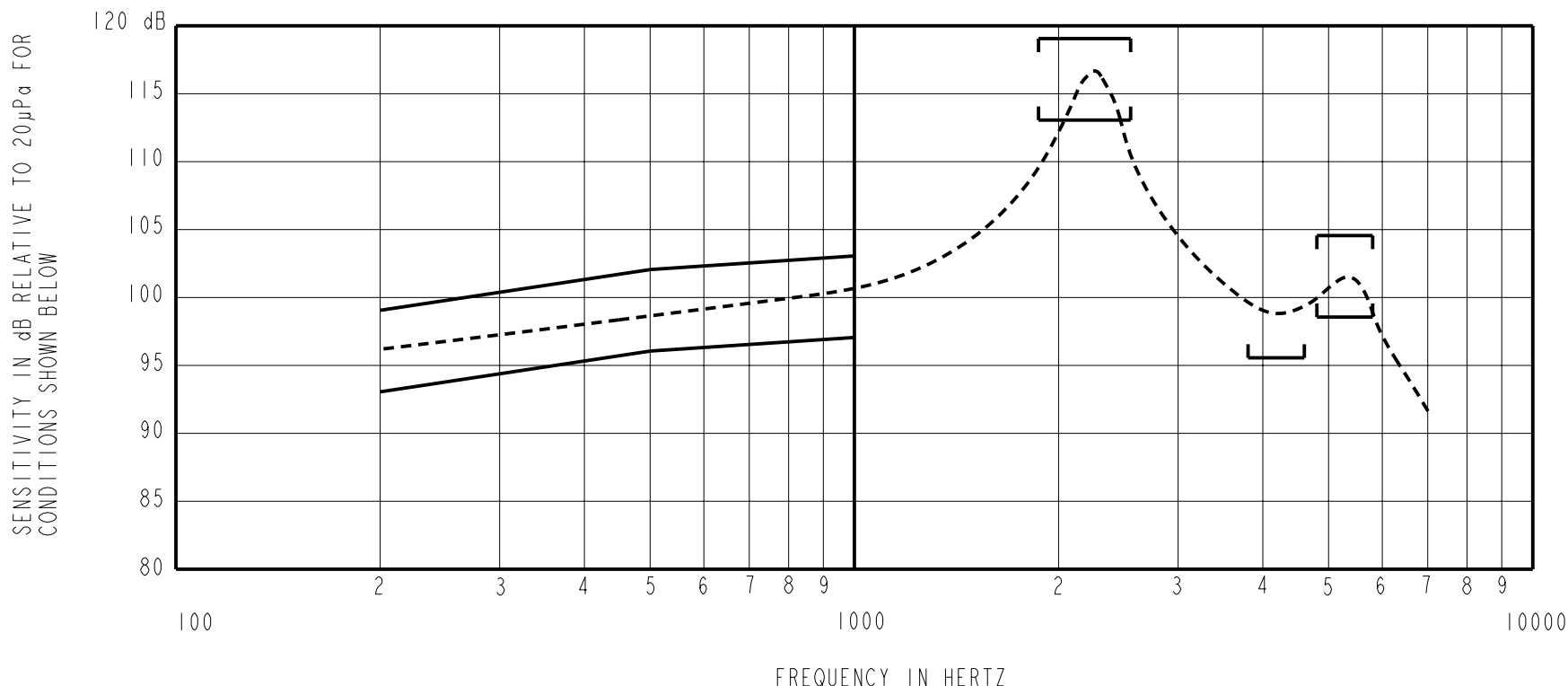
SCALE 2:1

NOMINAL WEIGHT  
.23 GRAMS

DIMENSIONS IN MILLIMETERS [INCHES]

**KNOWLES ELECTRONICS**  
ITASCA, ILLINOIS U.S.A.

| Revision             | C.O. #    | Implementation Date | RELEASE LEVEL | REVISION |
|----------------------|-----------|---------------------|---------------|----------|
| A                    | CI0103841 | 2-9-06              | Released      | A        |
| SCALE: 4:1           |           |                     | DR. BY        | DATE     |
| DO NOT SCALE DRAWING |           |                     | AB            | 2-9-06   |
| TITLE: RECEIVER      |           |                     | FC-26033-000  | CK. BY   |
| OUTLINE DRAWING      |           |                     | SHT 1.1       | DATE     |
|                      |           |                     | GJP           | 2-9-06   |
|                      |           |                     | APP. BY       | DATE     |
|                      |           |                     | GJP           | 2-9-06   |



NOTES:

1. MEASUREMENTS MADE USING 10mm (.394") X 1mm (.039") ID TUBE CONNECTED TO A SIMULATED ANSI S3.3-1960 TYPE HA-3 COUPLER. (T3420 AND B & K DB0138).

2.

SENSITIVITY

| <u>FREQUENCY</u> | <u>MIN.</u> | <u>MAX.</u> |
|------------------|-------------|-------------|
| 200              | 93.0        | 99.0        |
| 500              | 96.0        | 102.0       |
| 1000             | 97.0        | 103.0       |
| 1900-2600        | 113.0       | 119.0       |
| 3800-4600        | 95.5        | ---         |
| 4800-5800        | 98.5        | 104.5       |

- 3. RESPONSE, IMPEDANCE, AND DISTORTION MEASUREMENTS MADE USING THE ELECTRICAL TEST CONDITIONS SHOWN BELOW.
- 4. ELECTRICAL SOURCE IMPEDANCE MUST BE GREATER THAN 20 TIMES 1KHz IMPEDANCE FOR TEST CONDITIONS SHOWN BELOW.
- 5. INDIVIDUAL SPECIFICATIONS.

| PORT LOCATION | IMPEDANCE OHMS ±15% |       | DCR @20°C OHMS ±10% | DISTORTION |         | ELECTRICAL TEST CONDITIONS |       |
|---------------|---------------------|-------|---------------------|------------|---------|----------------------------|-------|
|               | 1KHz                | 500Hz |                     | MAX. %     | FREQ Hz | AC mA RMS                  | DC mA |
| 12C           | 2400                | 1600  | 1050                | 10         | 800     | 0.43                       | 0.00  |

|          |           |                     |                 |          |
|----------|-----------|---------------------|-----------------|----------|
| Revision | C.O. #    | Implementation Date | RELEASE LEVEL   | REVISION |
|          |           |                     | <b>Released</b> | <b>A</b> |
| A        | C10103841 | 2-9-06              |                 |          |

**KNOWLES ELECTRONICS**  
ITASCA, ILLINOIS U.S.A.

WHEN TEST LIMITS ARE USED TO ESTABLISH INCOMING INSPECTION ACCEPTANCE/REJECTION CRITERIA, CORRELATION OF TEST EQUIPMENT WITH KNOWLES IS ALSO REQUIRED FOR ELIMINATION OF EQUIPMENT AND TEST METHOD VARIATION

TITLE: **RECEIVER**  
PERFORMANCE SPECIFICATION

**FC-26033-000**  
**SHT 2.1**

|         |        |
|---------|--------|
| DR. BY  | DATE   |
| AB      | 2-9-06 |
| CK. BY  | DATE   |
| GJP     | 2-9-06 |
| APP. BY | DATE   |
| GJP     | 2-9-06 |