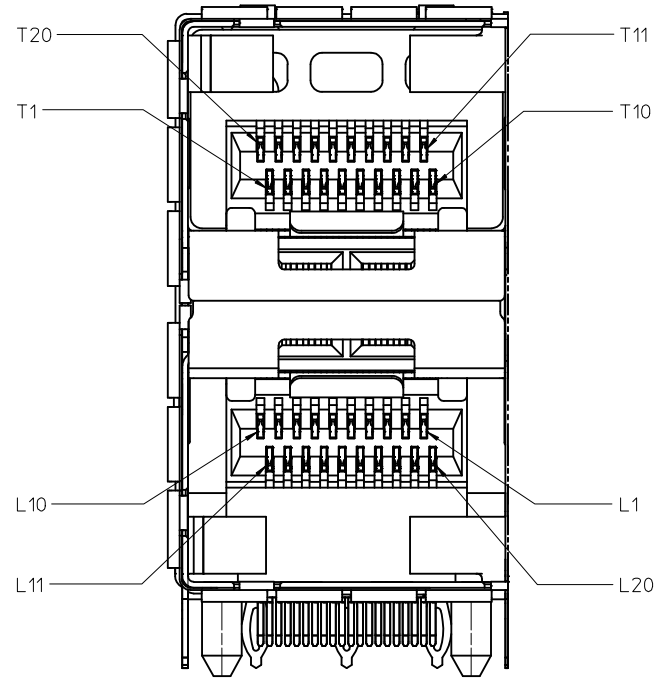
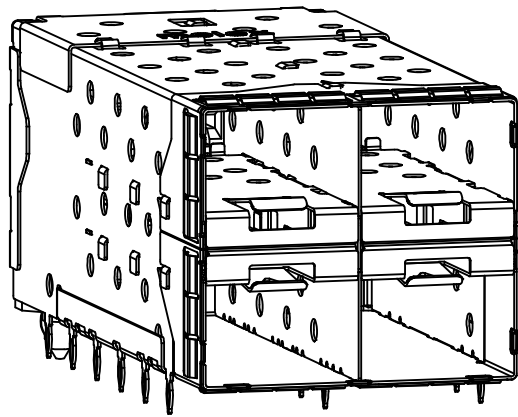


NOTES:

- MATERIAL:
 - CAGE: NICKEL SILVER, THICKNESS: 0.25mm
 - CONNECTOR HOUSING: GLASS FILLED LIQUID CRYSTAL POLYMER (LCP), UL 94V-0, COLOR: BLACK
 - OVERMOLD TERMINAL HOUSING: GLASS FILLED LIQUID CRYSTAL POLYMER (LCP), UL 94V-0, COLOR: BLACK
 - TERMINALS: TIN BRASS
- FINISHES:
 - TERMINALS: CONTACT AREA: 0.76 MICROMETERS MINIMUM HARD GOLD OVER 1.27 MICROMETERS MINIMUM NICKEL.
 - COMPLIANT TAIL - MATTE TIN/LEAD OPTION: 0.76 TO 1.52 MICROMETERS 90/10 MATTE TIN-LEAD OVER 0.76 MICROMETERS MINIMUM NICKEL.
 - COMPLIANT TAIL - MATTE TIN OPTION: 0.76 TO 1.52 MICROMETERS MATTE TIN OVER 0.76 MICROMETERS MINIMUM NICKEL.
- REFER TO PS-75310-001 PRODUCT SPEC FOR ALL ELECTRICAL, MECHANICAL AND ENVIRONMENTAL SPECIFICATIONS.
- REFER TO PK-75450-001 FOR ALL PACKAGING SPECIFICATIONS.
- THE SURFACES CONFORM TO THE MOLEX COSMETIC SPEC PS-45499-002. ALL EXTERIOR SURFACES TO BE CLASS "B" SURFACE EXCEPT THE UNDERSIDE (CLASS "C") OF THE CAGE (SIDE TOWARD THE PCB) AND AS OTHERWISE NOTED.
- REFER TO AS-76090-001 FOR HIGH SPEED ROUTING RECOMMENDATIONS.
- DATE CODE LOCATION IS SHOWN ABOVE.
 - DATE CODE FORMAT: DDDY MX A1
 - DDD = DAY OF THE YEAR
 - Y = YEAR
 - MX = MOLEX
 - A = ALPHA CHARACTER - INDICATES MANUFACTURING LINE
 - 1 = NUMERIC CHARACTER - INDICATES PRODUCTION SHIFT

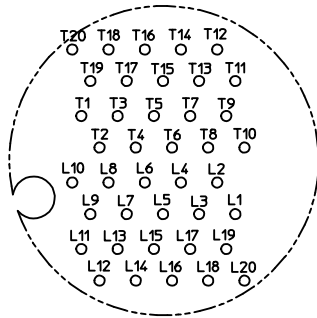
PART NUMBER	COMPLIANT TAIL PLATING
760650001	MATTE TIN / LEAD
760655001	MATTE TIN

CLARIFY VIEWS EC NO: UCP2013-5582 DRAWN: TIBARRA 2013/07/01 CHKD: BBARKER 2013/07/01 APPR: SMILLER 2013/08/05	QUALITY SYMBOLS 	GENERAL TOLERANCES (UNLESS SPECIFIED)		DIMENSION STYLE MM ONLY		SCALE 3:1	DESIGN UNITS METRIC	THIRD ANGLE PROJECTION	
		mm	INCH	DRAWN BY MSANDBERG	DATE 10-23-06	STACKED SFP+ 2X2 ASS'Y WITH METAL EMI GASKET			
		4 PLACES ± ---	± ---	CHECKED BY JL LONG	DATE 10-23-06				
		3 PLACES ± ---	± ---	APPROVED BY RNELSON	DATE 10-23-06	molex DOCUMENT NO. SD-76065-001			
2 PLACES ± 0.13	± ---	MATERIAL NO.							
1 PLACE ± 0.25	± ---	SIZE		SHEET NO. 1 OF 4					
0 PLACE ±	±	SEE TABLE							
ANGULAR ± 5 °		DRAFT WHERE APPLICABLE MUST REMAIN WITHIN DIMENSIONS		THIS DRAWING CONTAINS INFORMATION THAT IS PROPRIETARY TO MOLEX INCORPORATED AND SHOULD NOT BE USED WITHOUT WRITTEN PERMISSION					

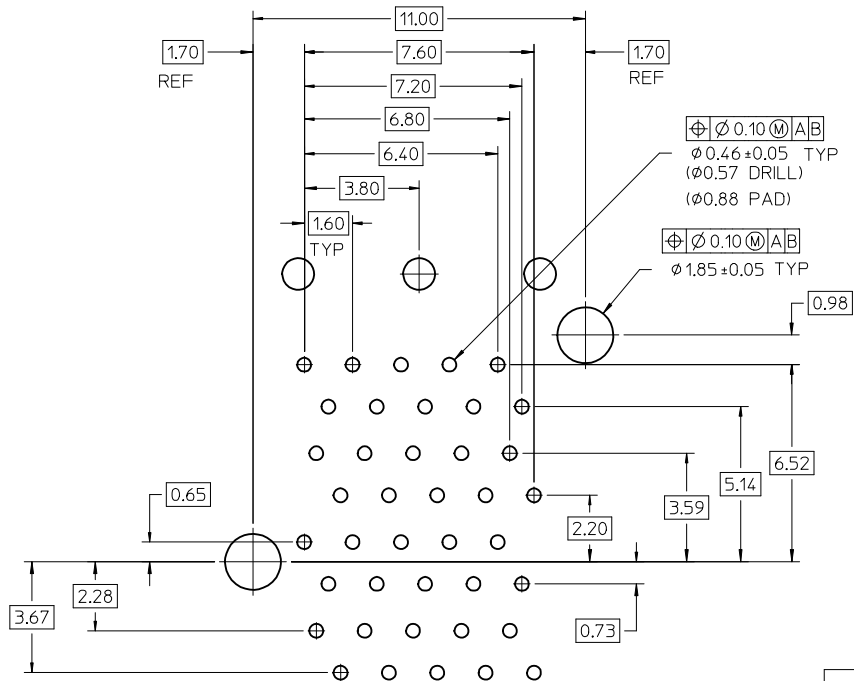


DETAIL B
SCALE 6:1
CIRCUIT NUMBERING

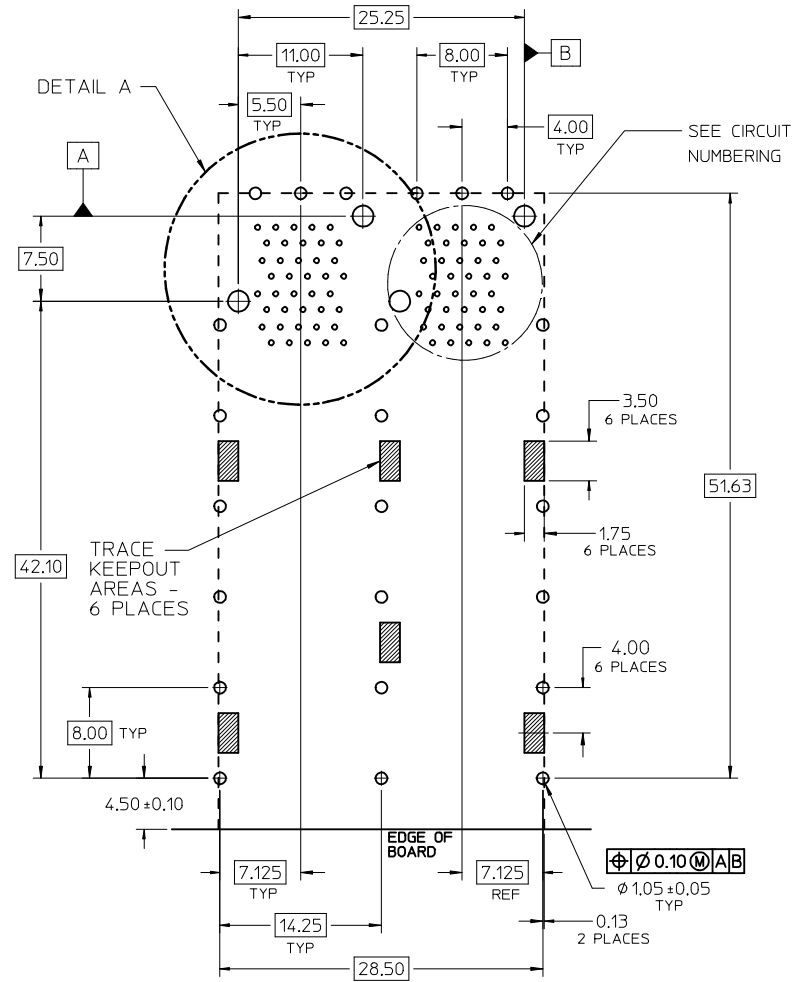
SEE SHEET 1 EC NO: UCP2013-5582 DRAWN: TIBARRA 2013/07/01 CHKD: BBARKER 2013/07/01 APPR: SMILLER 2013/08/05	QUALITY SYMBOLS ▽=0 ▽=0 ▽=0	GENERAL TOLERANCES (UNLESS SPECIFIED)		DIMENSION STYLE MM ONLY		SCALE 3:1	DESIGN UNITS METRIC	THIRD ANGLE PROJECTION		
			mm	INCH	DRAWN BY MSANDBERG	DATE 10-23-06	TITLE STACKED SFP+ 2X2 ASS'Y WITH METAL EMI GASKET			
		4 PLACES ± ---	± ---	± ---	CHECKED BY JLONG	DATE 10-23-06				
		3 PLACES ± ---	± ---	± ---	APPROVED BY RNELSON	DATE 10-23-06	DOCUMENT NO. SD-76065-001			
2 PLACES ± 0.13	± ---	± ---	MATERIAL NO.		SHEET NO. 2 OF 4					
1 PLACE ± 0.25	± ---	± ---	SIZE C						THIS DRAWING CONTAINS INFORMATION THAT IS PROPRIETARY TO MOLEX INCORPORATED AND SHOULD NOT BE USED WITHOUT WRITTEN PERMISSION	
0 PLACE ±	±	±	DRAFT WHERE APPLICABLE MUST REMAIN WITHIN DIMENSIONS		molex					
ANGULAR ± 5 °		SEE TABLE								



CIRCUIT NUMBERING
COMPONENT SIDE OF BOARD

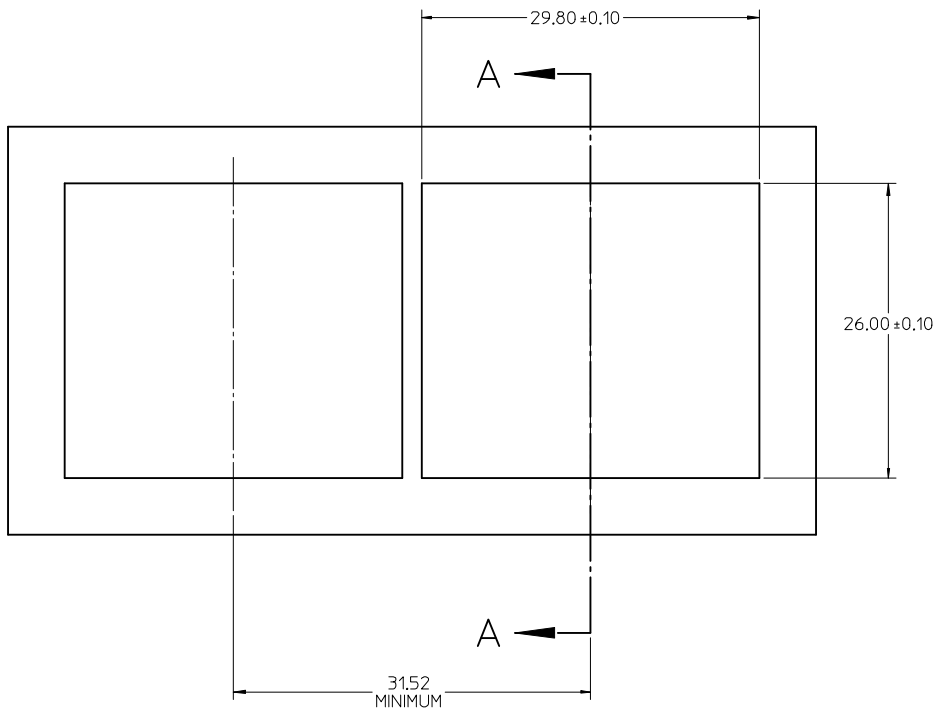


DETAIL A
SCALE 8:1

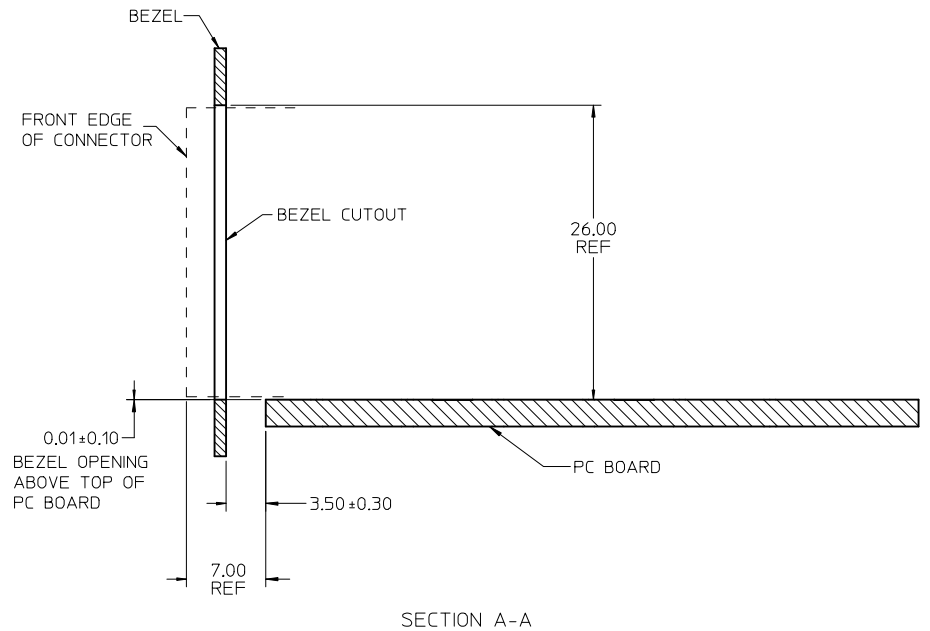


RECOMMENDED PCB LAYOUT - COMPONENT SIDE
RECOMMENDED PCB THICKNESS - 2.36 MM (.093 INCH)
THE ENTIRE AREA OF THE CONNECTOR FOOTPRINT
TO BE CONSIDERED THE KEEP OUT AREA FOR COMPONENTS
THIS AREA IS INDICATED BY THE DASHED LINE

SEE SHEET 1 EC NO: UCP2013-5582 DRAWN: TIBARRA 2013/07/01 CHKD: BBARKER 2013/07/01 APPR: SMILLER 2013/08/05	QUALITY SYMBOLS ▽=0 ▽=0 ▽=0	GENERAL TOLERANCES (UNLESS SPECIFIED)		DIMENSION STYLE MM ONLY		SCALE 3:1	DESIGN UNITS METRIC	THIRD ANGLE PROJECTION	
			mm	INCH	DRAWN BY MSANDBERG	DATE 10-23-06	TITLE STACKED SFP+ 2X2 ASS'Y WITH METAL EMI GASKET		
		4 PLACES	±	---	CHECKED BY JL LONG	DATE 10-23-06			
		3 PLACES	±	---	APPROVED BY RNELSON	DATE 10-23-06			
		2 PLACES	±	0.13					
		1 PLACE	±	0.25					
		0 PLACE	±	---					
		ANGULAR ± 5 °		MATERIAL NO. SEE TABLE		DOCUMENT NO. SD-76065-001		SHEET NO. 3 OF 4	
		DRAFT WHERE APPLICABLE MUST REMAIN WITHIN DIMENSIONS		SIZE C		THIS DRAWING CONTAINS INFORMATION THAT IS PROPRIETARY TO MOLEX INCORPORATED AND SHOULD NOT BE USED WITHOUT WRITTEN PERMISSION			

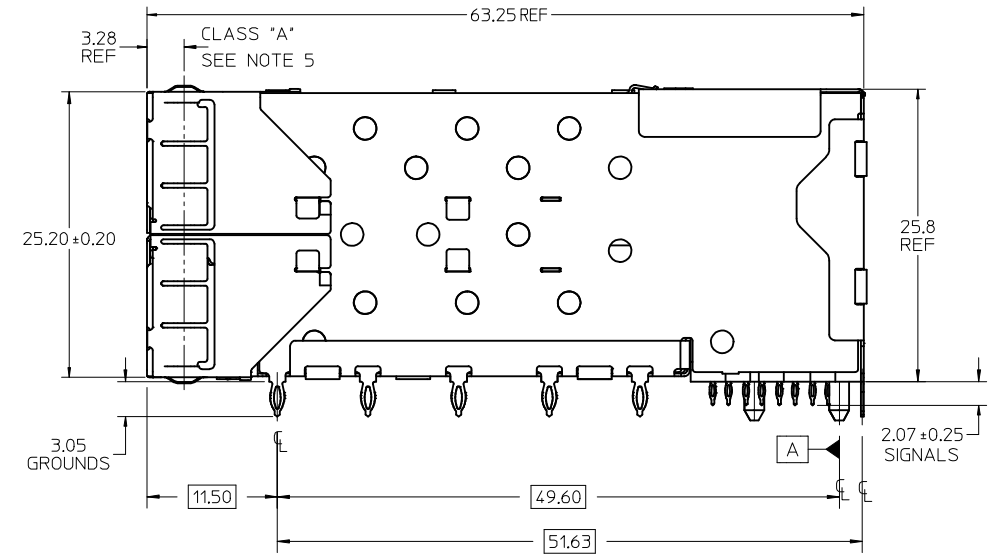
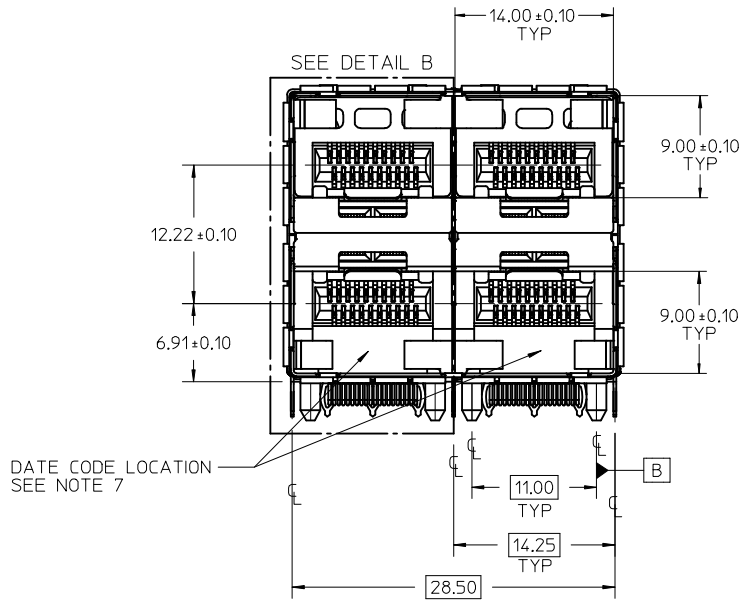


BEZEL CUT-OUT CENTER SPACING DETAIL
 BEZEL THICKNESS: 0.8 - 2.6

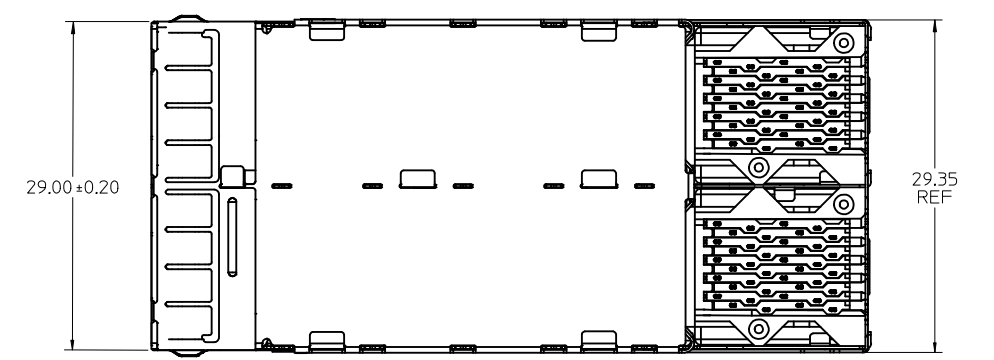


SECTION A-A

SEE SHEET 1 EC NO: UCP2013-5582 DRAWN BY: TIBARRA 2013/07/01 CHECKED BY: CHKD8BARKER 2013/07/01 APPR: SWILLER 2013/08/05	QUALITY SYMBOLS	GENERAL TOLERANCES (UNLESS SPECIFIED)	DIMENSION STYLE	SCALE	DESIGN UNITS	THIRD ANGLE PROJECTION
	▽=0	mm INCH	MM ONLY	3:1	METRIC	
	▽=0	4 PLACES ± --- ± ---	DRAWN BY DATE	TITLE		
	▽=0	3 PLACES ± --- ± ---	MSANDBERG 10-23-06	STACKED SFP+ 2X2 ASS'Y WITH METAL EMI GASKET		
▽=0	2 PLACES ± 0.13 ± ---	CHECKED BY DATE				
▽=0	1 PLACE ± 0.25 ± ---	JLONG 10-23-06				
▽=0	0 PLACE ± ±	APPROVED BY DATE	DOCUMENT NO.			
REV	DESCRIPTION	ANGULAR ± 5 °	MATERIAL NO.	SD-76065-001		SHEET NO.
		DRAFT WHERE APPLICABLE MUST REMAIN WITHIN DIMENSIONS	SEE TABLE			4 OF 4
			SIZE C	THIS DRAWING CONTAINS INFORMATION THAT IS PROPRIETARY TO MOLEX INCORPORATED AND SHOULD NOT BE USED WITHOUT WRITTEN PERMISSION		

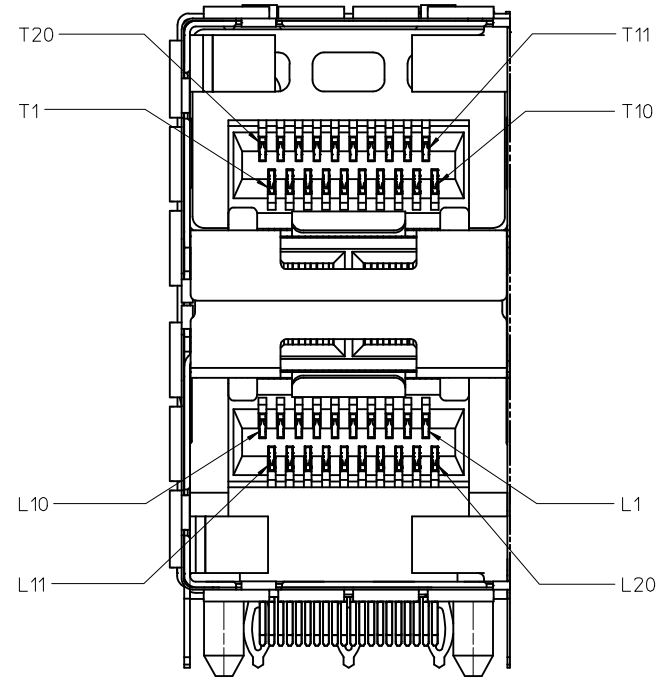
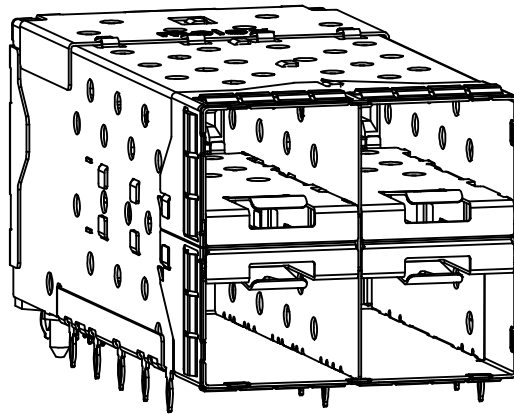


- NOTES:
- MATERIAL:
 - CAGE: NICKEL SILVER, THICKNESS: 0.25mm
 - CONNECTOR HOUSING: GLASS FILLED LIQUID CRYSTAL POLYMER (LCP), UL 94V-0, COLOR: BLACK
 - OVERMOLD TERMINAL HOUSING: GLASS FILLED LIQUID CRYSTAL POLYMER (LCP), UL 94V-0, COLOR: BLACK
 - TERMINALS: TIN BRASS
 - FINISHES:
 - TERMINALS: CONTACT AREA: 0.76 MICROMETERS MINIMUM HARD GOLD OVER 1.27 MICROMETERS MINIMUM NICKEL.
 - COMPLIANT TAIL - MATTE TIN/LEAD OPTION: 0.76 TO 1.52 MICROMETERS 90/10 MATTE TIN-LEAD OVER 0.76 MICROMETERS MINIMUM NICKEL.
 - COMPLIANT TAIL - MATTE TIN OPTION: 0.76 TO 1.52 MICROMETERS MATTE TIN OVER 0.76 MICROMETERS MINIMUM NICKEL.
 - REFER TO PS-75310-001 PRODUCT SPEC FOR ALL ELECTRICAL, MECHANICAL AND ENVIRONMENTAL SPECIFICATIONS.
 - REFER TO PK-75450-001 FOR ALL PACKAGING SPECIFICATIONS.
 - THE SURFACES CONFORM TO THE MOLEX COSMETIC SPEC PS-45499-002. ALL EXTERIOR SURFACES TO BE CLASS "B" SURFACE EXCEPT THE UNDERSIDE (CLASS "C") OF THE CAGE (SIDE TOWARD THE PCB) AND AS OTHERWISE NOTED.
 - REFER TO AS-76090-001 FOR HIGH SPEED ROUTING RECOMMENDATIONS.
 - DATE CODE LOCATION IS SHOWN ABOVE.
 - DATE CODE FORMAT: DDDY MX A1
 - DDD = DAY OF THE YEAR
 - Y = YEAR
 - MX = MOLEX
 - A = ALPHA CHARACTER - INDICATES MANUFACTURING LINE
 - 1 = NUMERIC CHARACTER - INDICATES PRODUCTION SHIFT



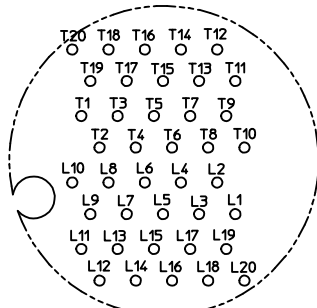
PART NUMBER	COMPLIANT TAIL PLATING
760657001	MATTE TIN

INITIAL RELEASE EC NO: UCP2013-5582 DRWN: TIBARRA 2013/06/27 CHKD: BBARKER 2013/07/01 APPR: SMILLER 2013/08/05	QUALITY SYMBOLS ▽=0 ▽=0 ▽=0	GENERAL TOLERANCES (UNLESS SPECIFIED) mm INCH 4 PLACES ± --- ± --- 3 PLACES ± --- ± --- 2 PLACES ± 0.13 ± --- 1 PLACE ± 0.25 ± --- 0 PLACE ± ±	DIMENSION STYLE MM ONLY DRAWN BY DATE TIBARRA 2013/06/27 CHECKED BY DATE BBARKER 2013/07/01 APPROVED BY DATE SMILLER 2013/08/05	SCALE 3:1 DESIGN UNITS METRIC	THIRD ANGLE PROJECTION
	DRAFT WHERE APPLICABLE MUST REMAIN WITHIN DIMENSIONS		MATERIAL NO. SEE TABLE	TITLE STACKED SFP+ 2X2 ASS'Y WITH METAL EMI GASKET	
	SIZE C		DOCUMENT NO. SD-76065-7001		SHEET NO. 1 OF 4
	THIS DRAWING CONTAINS INFORMATION THAT IS PROPRIETARY TO MOLEX INCORPORATED AND SHOULD NOT BE USED WITHOUT WRITTEN PERMISSION				

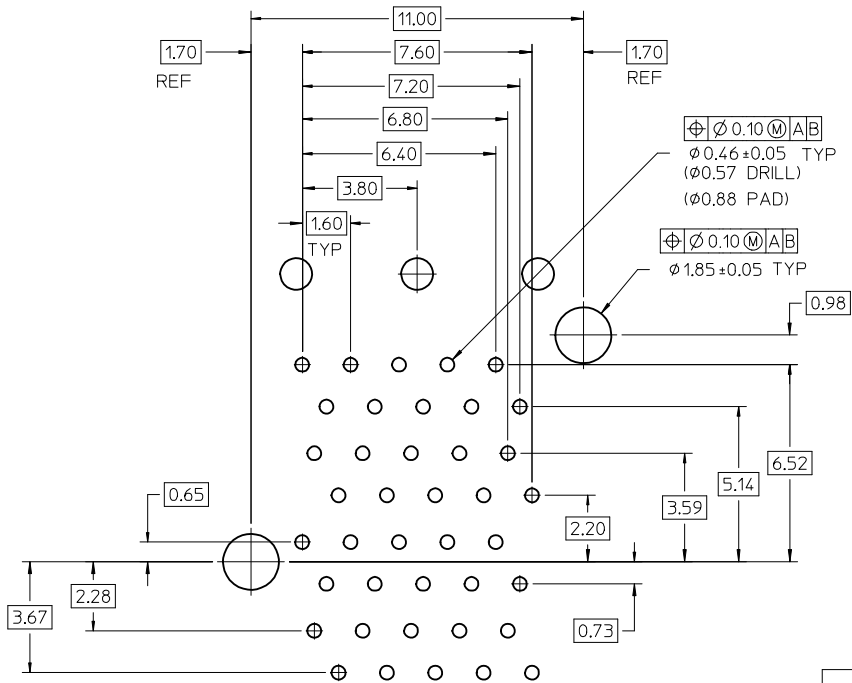


DETAIL B
SCALE 6:1
CIRCUIT NUMBERING

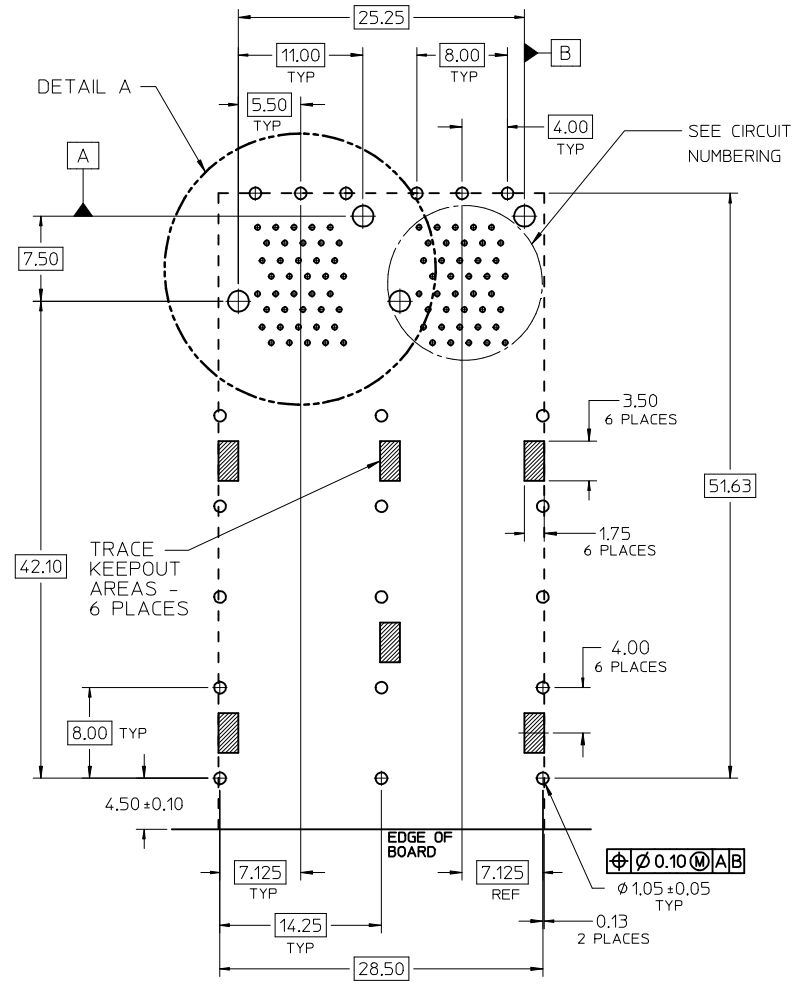
SEE SHEET 1 EC NO: UCP2013-5582 DRWN: TIBARRA 2013/06/27 CHKD: BBARKER 2013/07/01 APPR: SMILLER 2013/08/05	QUALITY SYMBOLS 	GENERAL TOLERANCES (UNLESS SPECIFIED)		DIMENSION STYLE MM ONLY		SCALE 3:1	DESIGN UNITS METRIC	THIRD ANGLE PROJECTION
		mm	INCH	DRAWN BY TIBARRA	DATE 2013/06/27	TITLE STACKED SFP+ 2X2 ASS'Y WITH METAL EMI GASKET		
		4 PLACES ± ---	± ---	CHECKED BY BBARKER	DATE 2013/07/01			
		3 PLACES ± ---	± ---	APPROVED BY SMILLER	DATE 2013/08/05			
2 PLACES ± 0.13	± ---	MATERIAL NO.	DOCUMENT NO.					
1 PLACE ± 0.25	± ---	DRAFT WHERE APPLICABLE MUST REMAIN WITHIN DIMENSIONS		SIZE C	SEE TABLE THIS DRAWING CONTAINS INFORMATION THAT IS PROPRIETARY TO MOLEX INCORPORATED AND SHOULD NOT BE USED WITHOUT WRITTEN PERMISSION		SHEET NO. 2 OF 4	
0 PLACE ±	±				SD-76065-7001			



CIRCUIT NUMBERING
COMPONENT SIDE OF BOARD

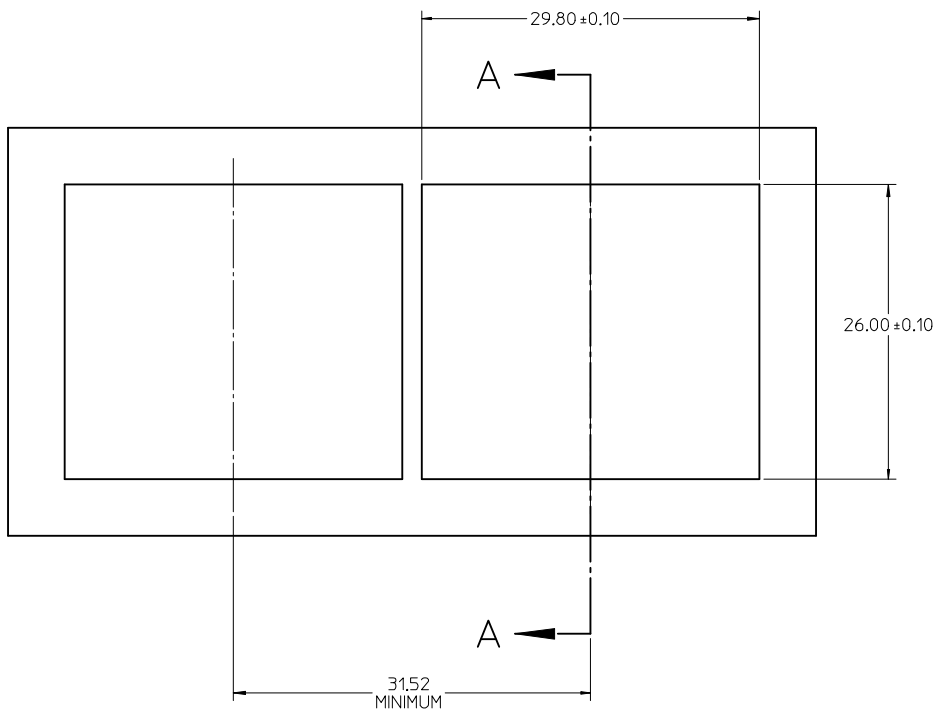


DETAIL A
SCALE 8:1

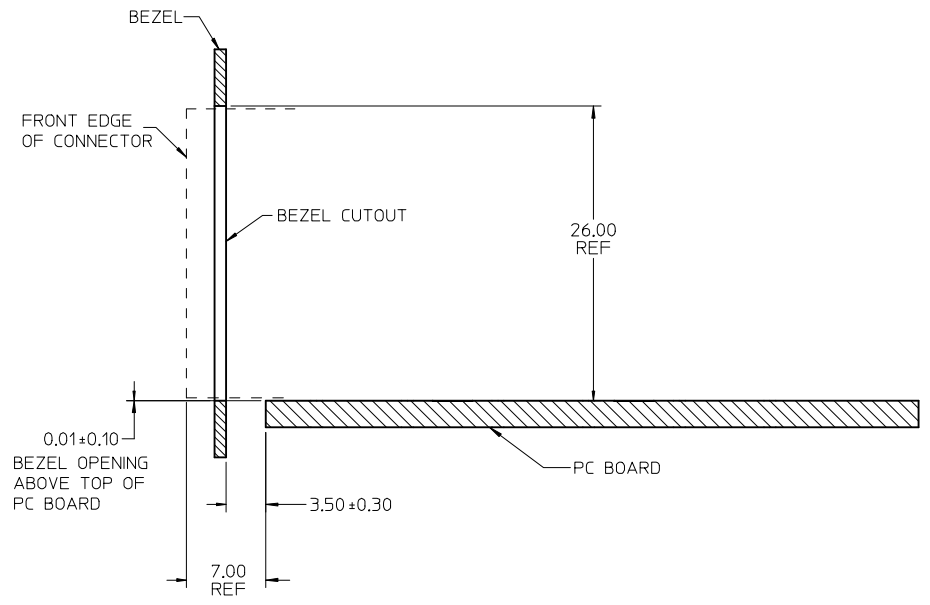


RECOMMENDED PCB LAYOUT - COMPONENT SIDE
RECOMMENDED PCB THICKNESS - 2.36 MM (.093 INCH)
THE ENTIRE AREA OF THE CONNECTOR FOOTPRINT
TO BE CONSIDERED THE KEEP OUT AREA FOR COMPONENTS
THIS AREA IS INDICATED BY THE DASHED LINE

SEE SHEET 1 EC NO: UCP2013-5582 DRWN: TIBARRA 2013/06/27 CHKD: BBARKER 2013/07/01 APPR: SMILLER 2013/08/05	QUALITY SYMBOLS ▽=0 ▽=0 ▽=0	GENERAL TOLERANCES (UNLESS SPECIFIED)		DIMENSION STYLE MM ONLY		SCALE 3:1	DESIGN UNITS METRIC	THIRD ANGLE PROJECTION	
			mm	INCH	DRAWN BY TIBARRA	DATE 2013/06/27	TITLE STACKED SFP+ 2X2 ASS'Y WITH METAL EMI GASKET		
		4 PLACES	±	---	CHECKED BY BBARKER	DATE 2013/07/01			
		3 PLACES	±	---	APPROVED BY SMILLER	DATE 2013/08/05			
		2 PLACES	±	0.13					
		1 PLACE	±	0.25					
		0 PLACE	±						
		ANGULAR ± 5 °		MATERIAL NO. SEE TABLE		DOCUMENT NO. SD-76065-7001		SHEET NO. 3 OF 4	
DRAFT WHERE APPLICABLE MUST REMAIN WITHIN DIMENSIONS		SIZE C		THIS DRAWING CONTAINS INFORMATION THAT IS PROPRIETARY TO MOLEX INCORPORATED AND SHOULD NOT BE USED WITHOUT WRITTEN PERMISSION					



BEZEL CUT-OUT CENTER SPACING DETAIL
BEZEL THICKNESS: 0.8 - 2.6



SECTION A-A

SEE SHEET 1 EC NO: UCP2013-5582 DRW: TIBARRA 2013/06/27 CHK: BBARKER 2013/07/01 APPR: SMILLER 2013/08/05	QUALITY SYMBOLS 	GENERAL TOLERANCES (UNLESS SPECIFIED)		DIMENSION STYLE MM ONLY	SCALE 3:1	DESIGN UNITS METRIC	THIRD ANGLE PROJECTION	
			mm	INCH	DRAWN BY TIBARRA	DATE 2013/06/27	STACKED SFP+ 2X2 ASS'Y WITH METAL EMI GASKET DOCUMENT NO. SD-76065-7001 SHEET NO. 4 OF 4	
		4 PLACES	± ---	± ---	CHECKED BY BBARKER	DATE 2013/07/01		
		3 PLACES	± ---	± ---	APPROVED BY SMILLER	DATE 2013/08/05		
2 PLACES	± 0.13	± ---						
1 PLACE	± 0.25	± ---						
0 PLACE	±	±						
		ANGULAR ± 5 °		MATERIAL NO.				
		DRAFT WHERE APPLICABLE MUST REMAIN WITHIN DIMENSIONS		SEE TABLE				
				SIZE C		THIS DRAWING CONTAINS INFORMATION THAT IS PROPRIETARY TO MOLEX INCORPORATED AND SHOULD NOT BE USED WITHOUT WRITTEN PERMISSION		