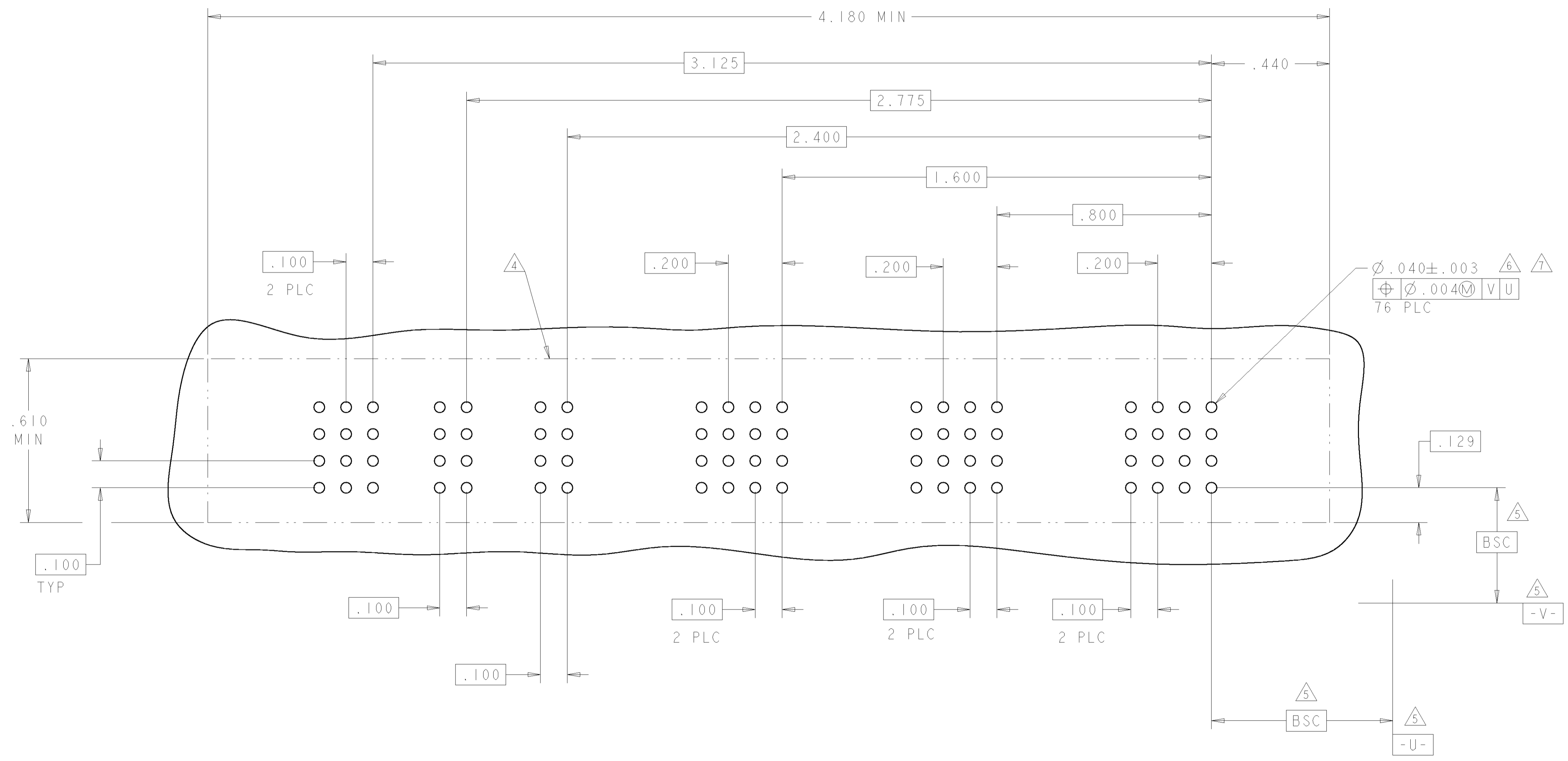


LOC	DIST	REVISIONS					
GP	00	P	LTR	DESCRIPTION	DATE	DNW	APVD
-	-	-	-	SEE SHEET 1	-	-	-

PART NUMBER	ROWS	SIGNAL			POWER										
		3	2	1	PI1	PI0	P9	P8	P7	P6	P5	P4	P3	P2	PI
1888123-1	D C B A	AP	AP	AP	GS	GS		GS	GS		GS	GS		GS	GS
		AP	AP	AP											
		AP	AP	AP											
		AP	AP	AP											
11P + 12S															

NO CONTACTS LOADED

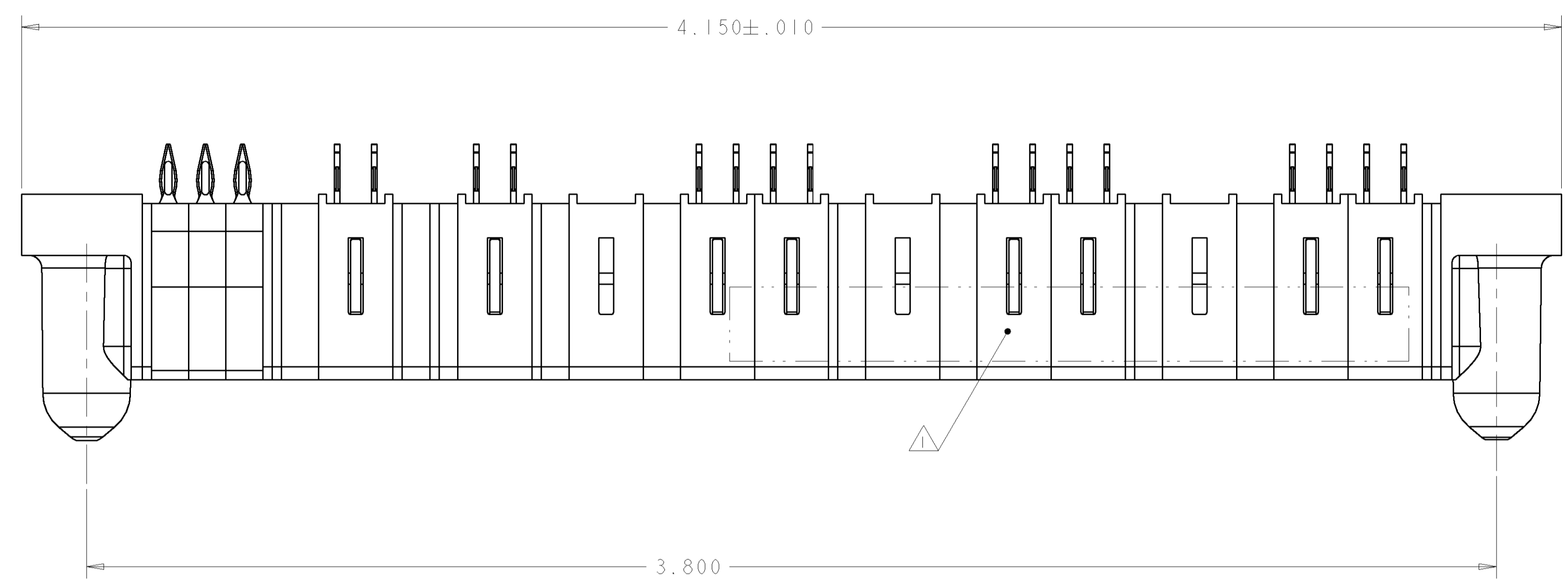


CODE	DESCRIPTION
GS	POWER CONTACT, STD
AP	SIGNAL CONTACT

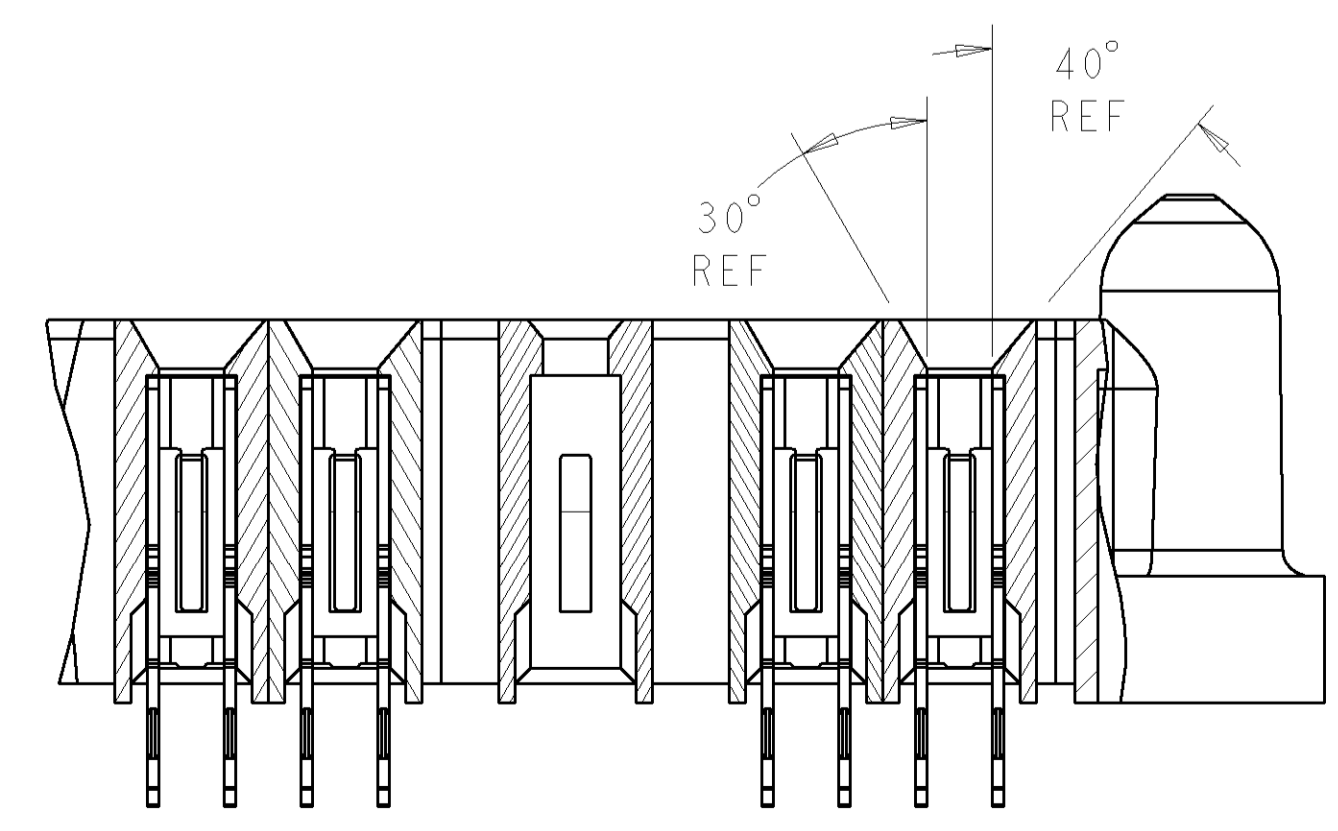
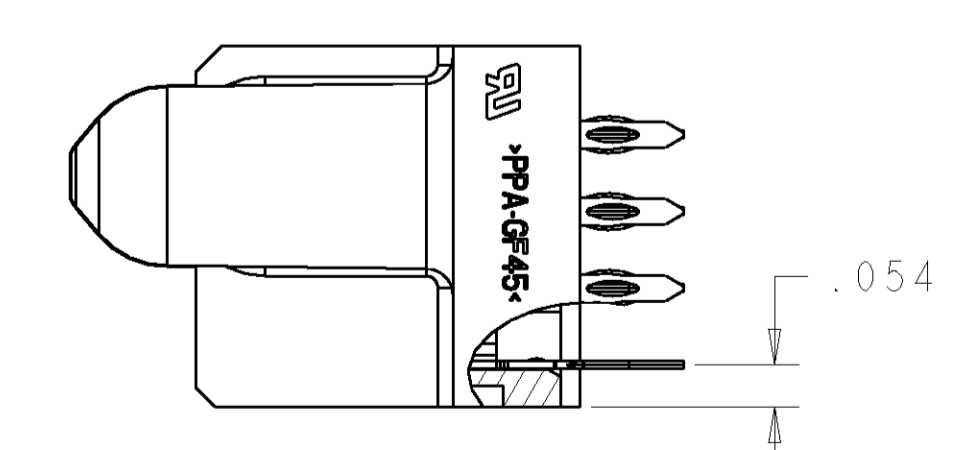
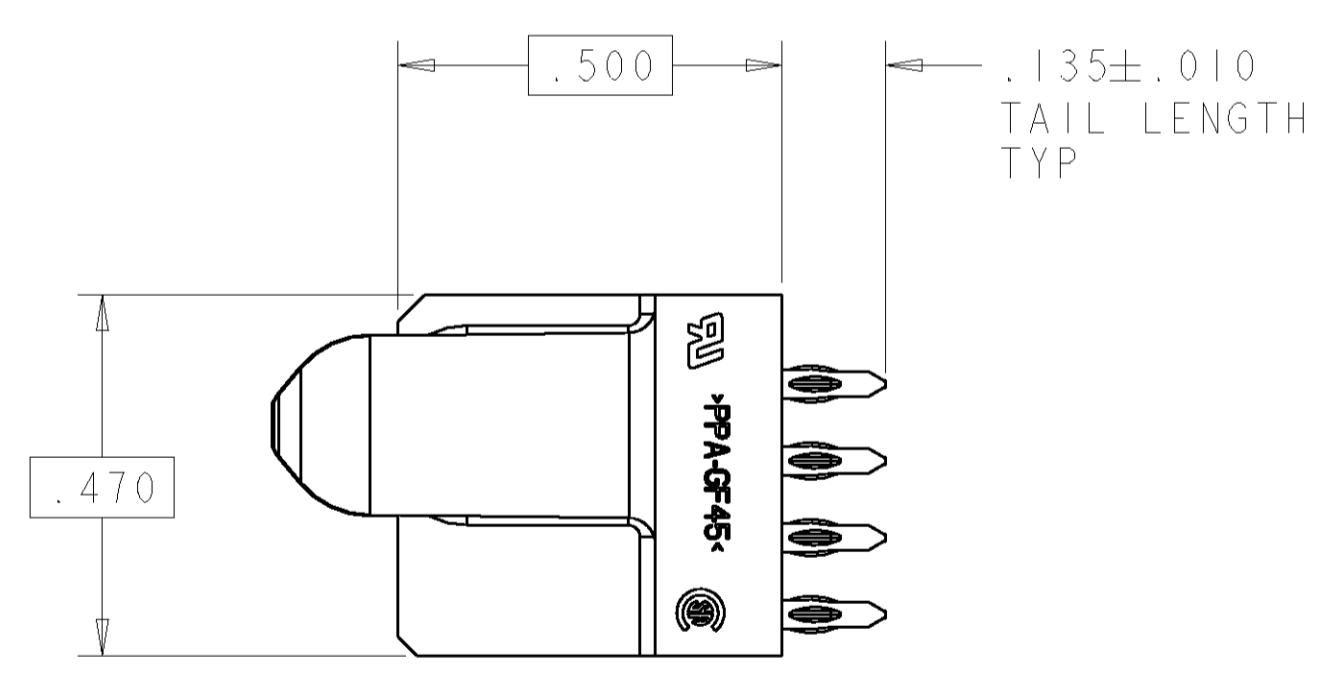
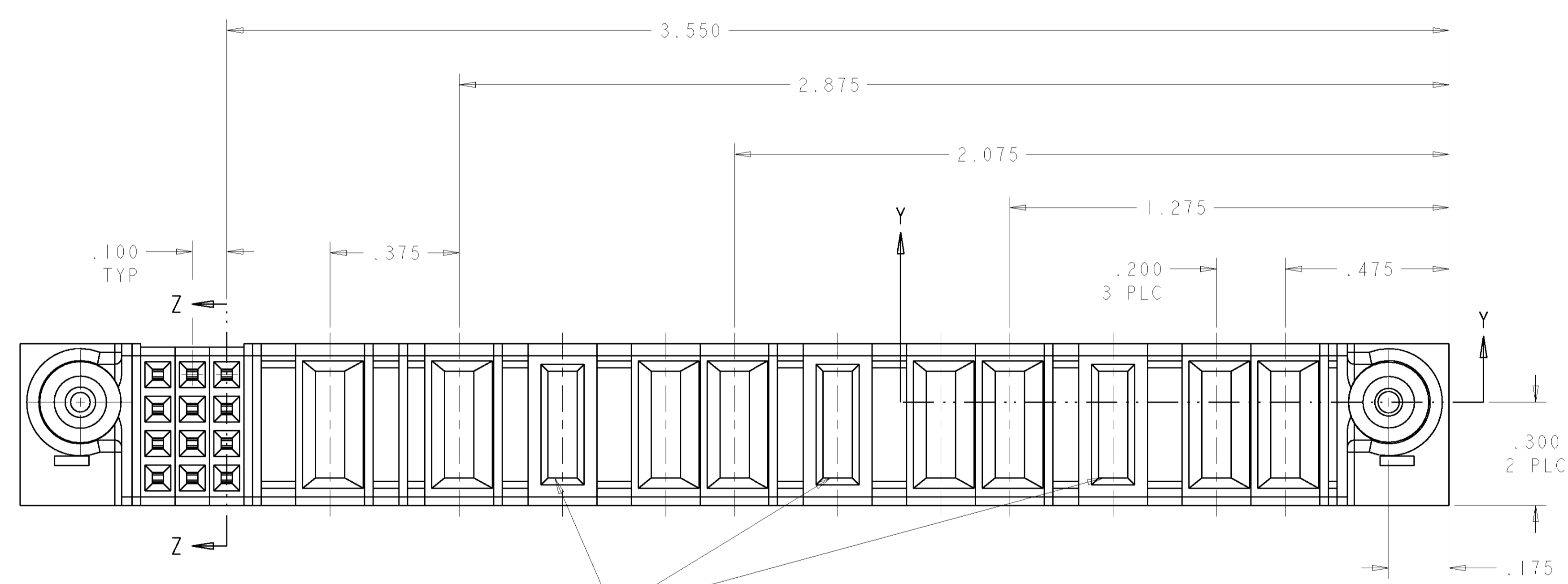
CONTACT TABLE

DIMENSIONS: INCHES 		TOLERANCES UNLESS OTHERWISE SPECIFIED: 0 PLC ± 1 PLC ±.01 2 PLC ±.01 3 PLC ±.005 4 PLC ±.0020 ANGLES ±.020 FINISH		DWN: R. GRZYBOWSKI 19SEP2005 ENR: M. PERCHERKE 19SEP2005 APVD: M. PERCHERKE 19SEP2005 PRODUCT SPEC APPLICATION SPEC WEIGHT CUSTOMER DRAWING		Tyco Electronics Harrisburg, PA 17105-3608 NAME: VERTICAL RECEPTACLE ASSEMBLY W/ GUIDES, PRESS FIT MULTI-BEAM XL SIZE: A 00779 C=1888123-1 SCALE: 4:1 SHEET 2 OF 2 REV 1	
---------------------------	--	--	--	---	--	--	--

LOC	DIST	REVISIONS			
P	LTR	DESCRIPTION	DATE	DWN	APVD
GP	00	1	PROPOSED DESIGN	19SEP2005	RG MP



- △ "AMP", PART NUMBER, AND DATE CODE TO BE MARKED IN AREA SHOWN
- △ MATERIAL: HOUSING - GLASS FILLED HIGH TEMP THERMO PLASTIC, UL94 V-0
 SIGNAL CONTACT - HIGH CONDUCTIVITY COPPER ALLOY
 POWER CONTACT - HIGH CONDUCTIVITY COPPER ALLOY
- △ CONTACT PLATING: SIGNAL CONTACTS - .000050 MIN Ni UNDER ALL
 .000030 MIN Au ON CONTACT AREA
 .000100 MIN Sn AT PCB INTERFACE
 POWER CONTACTS - .000050 MIN Ni UNDER ALL
 .000030 MIN Au ON CONTACT AREA
 .000100 MIN Sn AT PCB INTERFACE
- △ MECHANICAL CONNECTOR KEEP OUT ZONE
- △ DATUM AND BASIC DIMENSIONS ESTABLISHED BY CUSTOMER
- △ PCB - ALL HOLE DIAMETERS ARE FINISHED HOLE SIZES
- △ PCB - $.0453 \pm .0010$ DRILLED HOLES PLATED WITH .0003 MIN Sn OVER
 .001 TO .003 CU PLATING TO ACHIEVE A .040 DIA HOLE



IIP + 12S	1888123-1
DESCRIPTION	PART NUMBER
Tyco Electronics Harrisburg, PA 17105-3608	
VERTICAL RECEPTACLE ASSEMBLY W/ GUIDES, PRESS FIT MULTI-BEAM XL	
SIZE	CAGE CODE
108-1973	114-13038
APPLICATION SPEC	WEIGHT
114-13038	-
CUSTOMER DRAWING	SCALE 4:1
SHEET 1 OF 2	

DIMENSIONS:	TOLERANCES UNLESS OTHERWISE SPECIFIED:
INCHES	0 PLC ± .01
	1 PLC ± .01
	2 PLC ± .01
	3 PLC ± .005
	4 PLC ± .002
	ANGLES ± .020
MATERIAL	FINISH
△	△